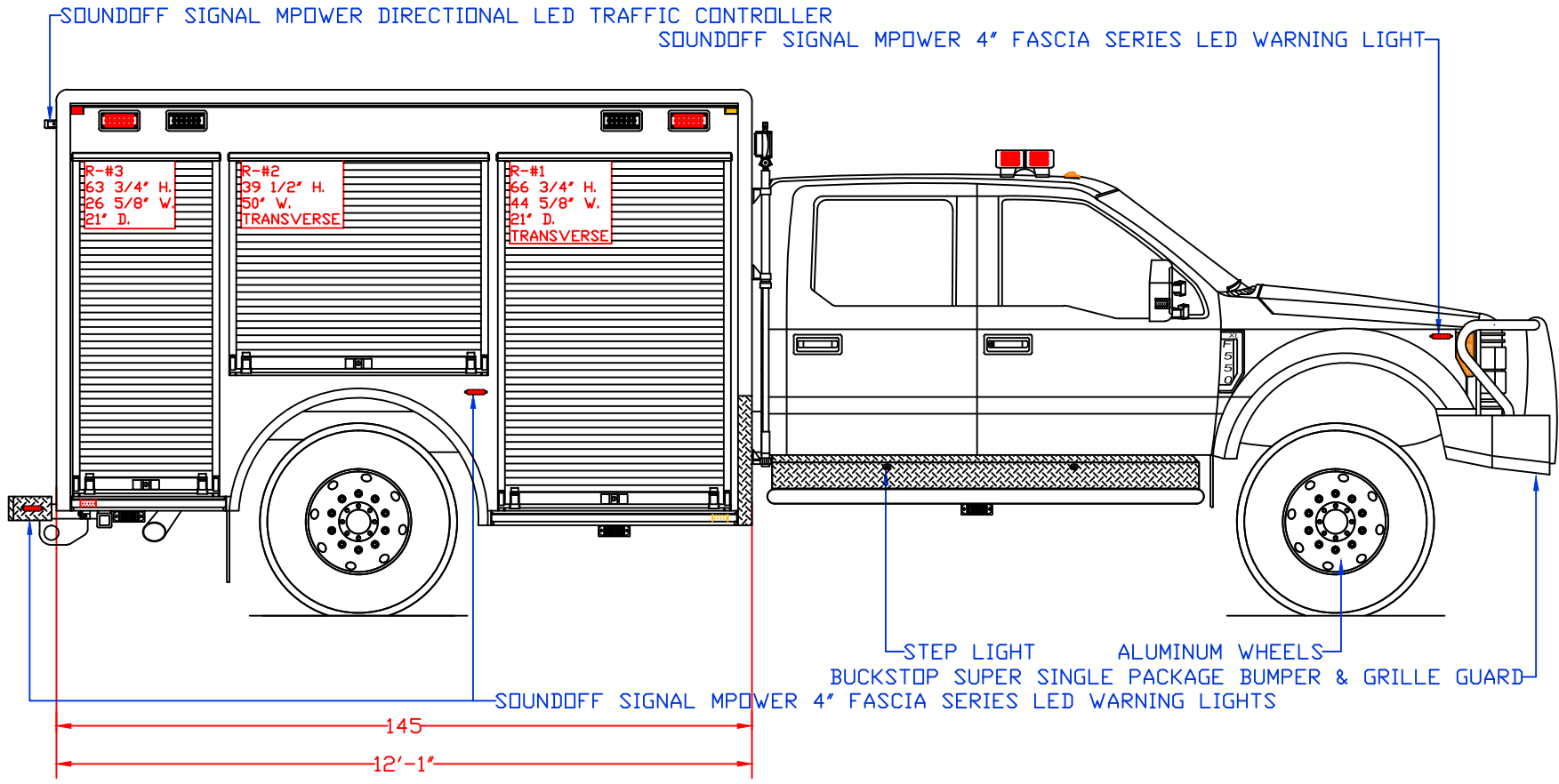


WARD APPARATUS
 1250 SCHWEIZER ROAD PHONE (607) 796-0149
 HORSEHEADS, NY 14845 FAX (607) 739-7092

CUSTOMER APPROVED BY:	
VEHICLE TYPE: RESCUE	CHASSIS: FORD F-550 CREW CAB 4X4 SUPER SINGLE
VIEW: STREETSIDE	BODY MAT'L: ALUMINUM
SCALE: NTS	BODY LENGTH: 145"
DRAWN BY: NRW	APPROVED BY:
DATE: 3/13/2023	BODY STYLE:
DWG NO.: BULLDOG APPARATUS	REVISION:

BULLDOG FIRE APPARATUS DEMO

NOTE: ALL DIMENSIONS ARE APPROXIMATE



WARD APPARATUS

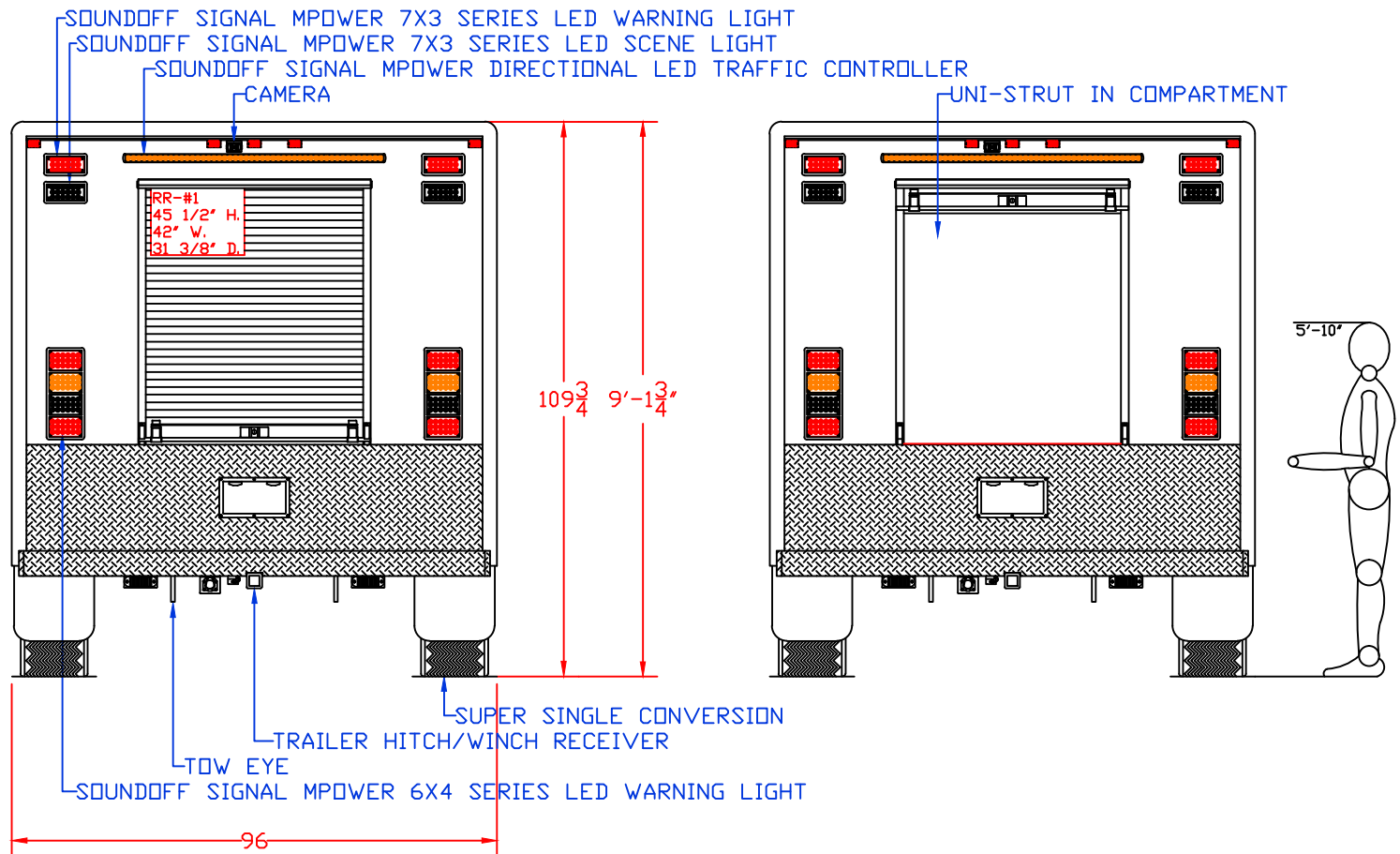
1250 SCHWEIZER ROAD PHONE (607) 796-0149
 HORSEHEADS, NY 14845 FAX (607) 739-7092

CUSTOMER APPROVED BY:

VEHICLE TYPE: RESCUE	CHASSIS: FORD F-550 CREW CAB 4X4 SUPER SINGLE
VIEW: CURBSIDE	BODY MAT'L: ALUMINUM
SCALE: NTS	BODY LENGTH: 145"
DRAWN BY: NRW	APPROVED BY:
DATE: 3/13/2023	BODY STYLE:
DWG NO.: BULLDOG APPARATUS	REVISION:

BULLDOG FIRE APPARATUS DEMO

NOTE: ALL DIMENSIONS ARE APPROXIMATE

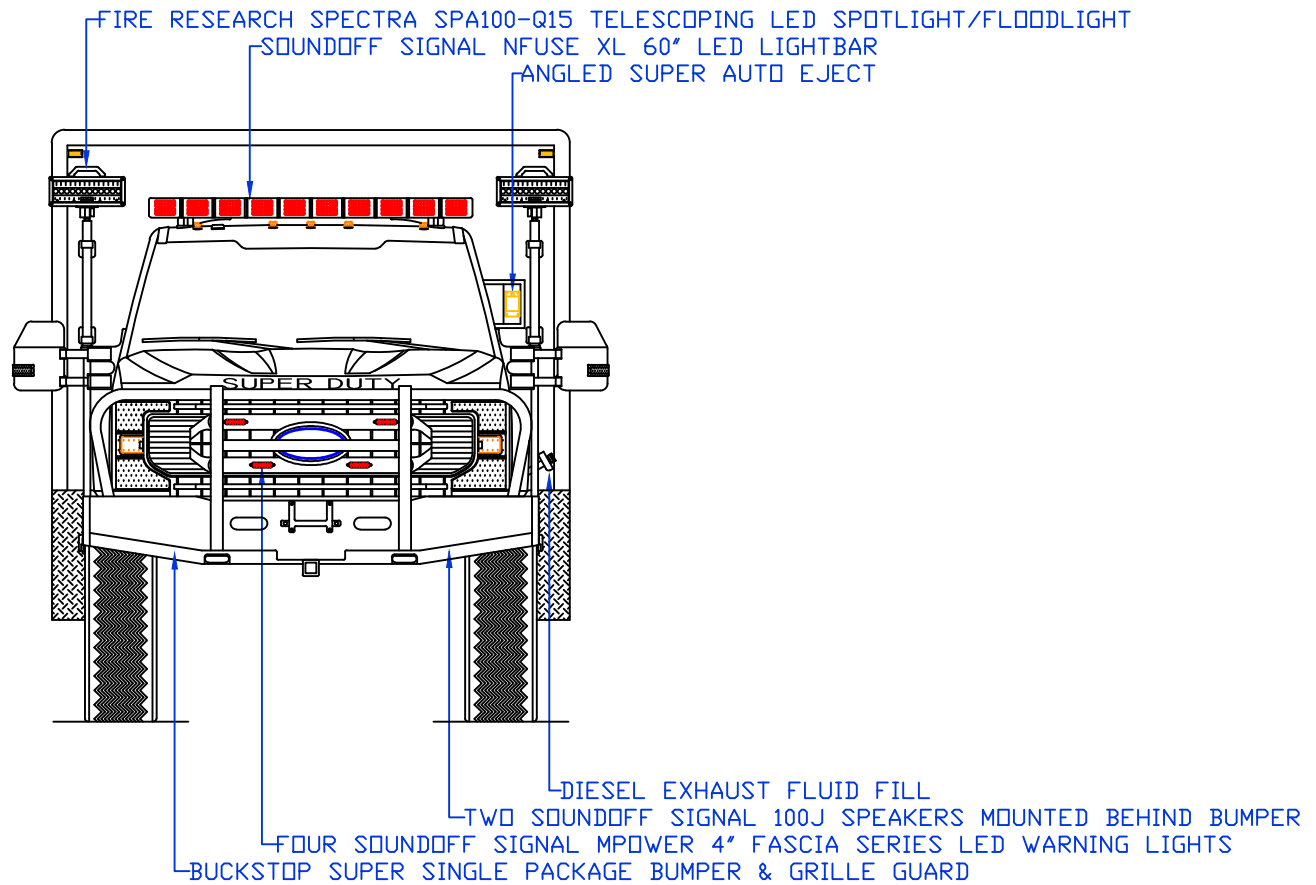


WARD APPARATUS
 1250 SCHWEIZER ROAD PHONE (607) 796-0149
 HORSEHEADS, NY 14845 FAX (607) 739-7092

CUSTOMER APPROVED BY:	
VEHICLE TYPE: RESCUE	CHASSIS: FORD F-550 CREW CAB 4X4 SUPER SINGLE
VIEW: REAR & REAR COMPARTMENT LAYOUT	BODY MAT'L: ALUMINUM
SCALE: NTS	BODY LENGTH: 145"
DRAWN BY: NRW	APPROVED BY:
DATE: 3/13/2023	BODY STYLE:
DWG NO.: BULLDOGAPPARATUS	REVISION:

NOTE: ALL DIMENSIONS ARE APPROXIMATE

BULLDOG FIRE APPARATUS DEMO



WARD APPARATUS

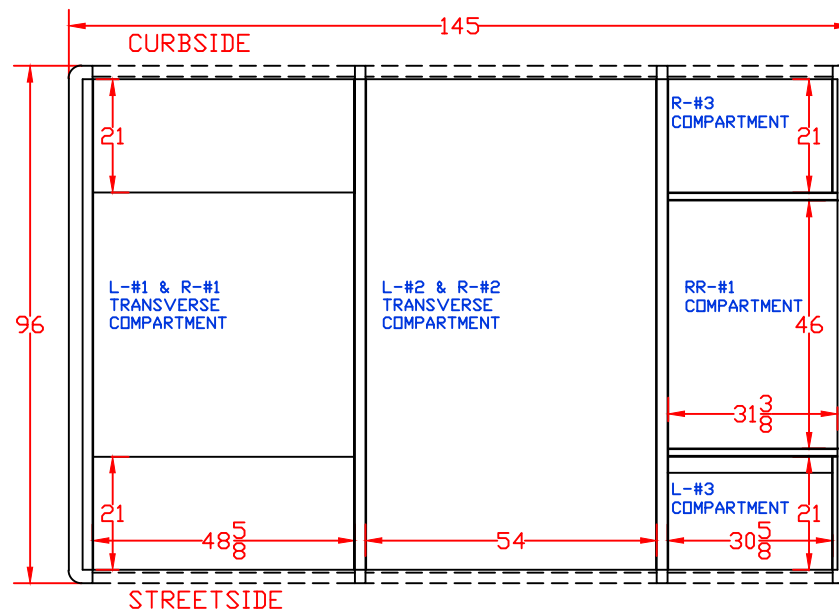
1250 SCHWEIZER ROAD PHONE (607) 796-0149
 HORSEHEADS, NY 14845 FAX (607) 739-7092

CUSTOMER APPROVED BY:

VEHICLE TYPE: RESCUE	CHASSIS: FORD F-550 CREW CAB 4X4 SUPER SINGLE
VIEW: FRONT	BODY MAT'L: ALUMINUM
SCALE: NTS	BODY LENGTH: 145"
DRAWN BY: NRW	APPROVED BY:
DATE: 3/13/2023	BODY STYLE:
DWG NO.: BULLDOGAPPARATUS	REVISION:

BULLDOG FIRE APPARATUS DEMO

NOTE: ALL DIMENSIONS ARE APPROXIMATE



WARD APPARATUS

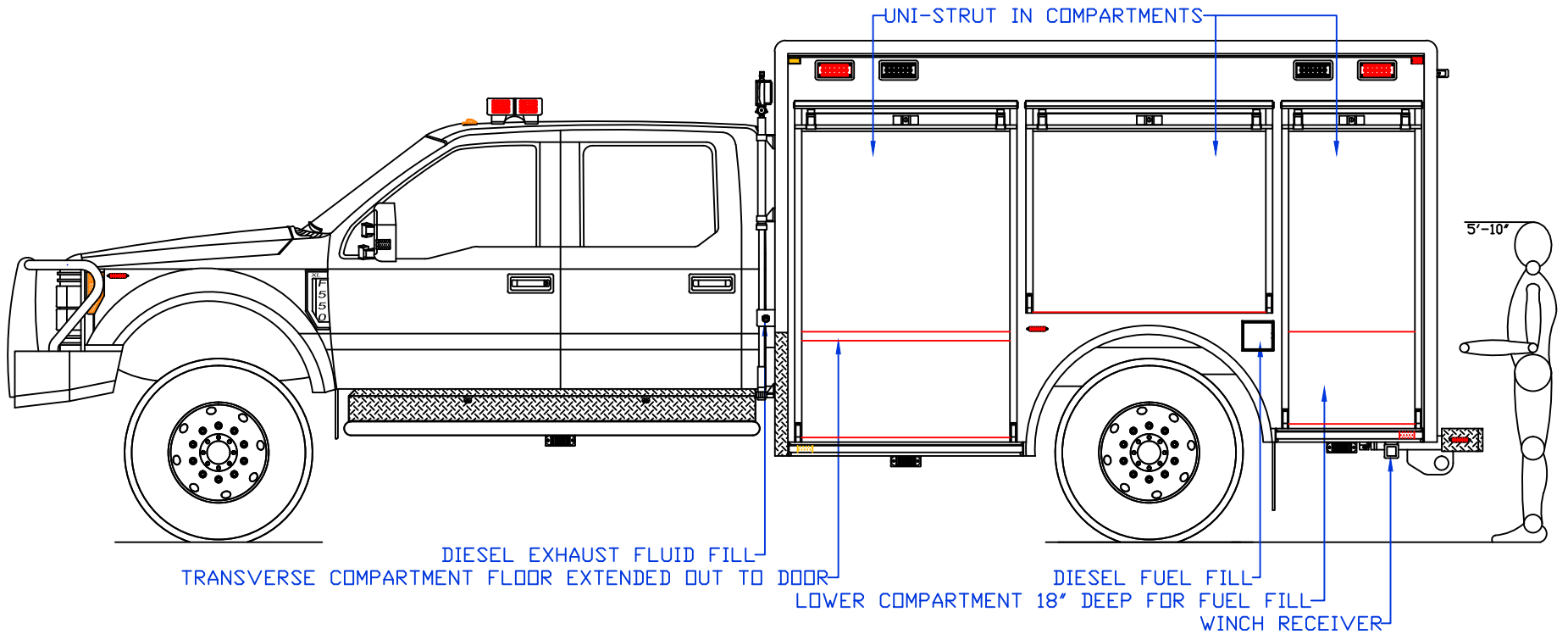
1250 SCHWEIZER ROAD PHONE (607) 796-0149
 HORSEHEADS, NY 14845 FAX (607) 739-7092

CUSTOMER APPROVED BY:

VEHICLE TYPE: RESCUE	CHASSIS: FORD F-550 CREW CAB 4X4 SUPER SINGLE
VIEW: TOP	BODY MAT'L: ALUMINUM
SCALE: NTS	BODY LENGTH: 145"
DRAWN BY: NRW	APPROVED BY:
DATE: 3/13/2023	BODY STYLE:
DWG NO.: BULLDOGAPPARATUS	REVISION:

BULLDOG FIRE APPARATUS DEMO

NOTE: ALL DIMENSIONS ARE APPROXIMATE



WARD APPARATUS
 1250 SCHWEIZER ROAD PHONE (607) 796-0149
 HORSEHEADS, NY 14845 FAX (607) 739-7092

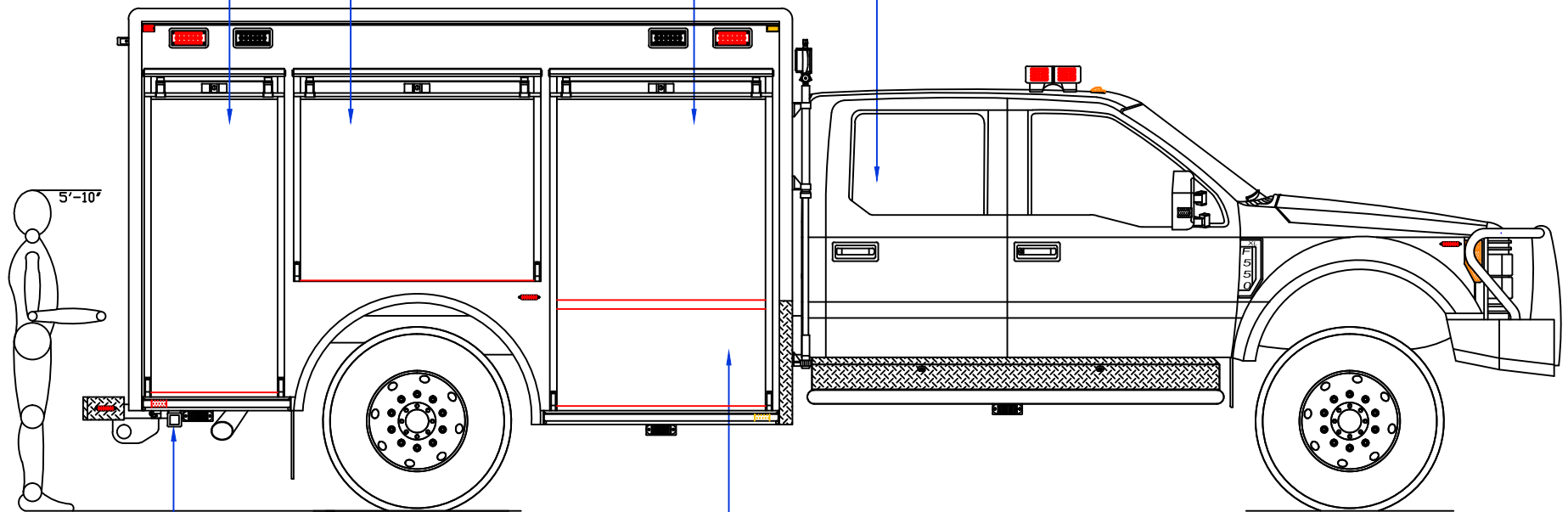
CUSTOMER APPROVED BY:

VEHICLE TYPE: RESCUE	CHASSIS: FORD F-550 CREW CAB 4X4 SUPER SINGLE
VIEW: STREETSIDE COMPARTMENT LAYOUT	BODY MAT'L: ALUMINUM
SCALE: NTS	BODY LENGTH: 145"
DRAWN BY: NRW	APPROVED BY:
DATE: 3/13/2023	BODY STYLE:
DWG NO.: BULLDOGAPPARATUS	REVISION:

BULLDOG FIRE APPARATUS DEMO

NOTE: ALL DIMENSIONS ARE APPROXIMATE

POWER DISTRIBUTION QUARTERS MOUNTED UNDER CHASSIS REAR BENCH SEAT-
UNI-STRUT IN COMPARTMENTS



WINCH RECEIVER

TRANSVERSE COMPARTMENT FLOOR EXTENDED OUT TO DOOR



WARD APPARATUS

1250 SCHWEIZER ROAD PHONE (607) 796-0149
HORSEHEADS, NY 14845 FAX (607) 739-7092

BULLDOG FIRE APPARATUS DEMO

CUSTOMER APPROVED BY:

VEHICLE TYPE: RESCUE	CHASSIS: FORD F-550 CREW CAB 4X4 SUPER SINGLE
VIEW: CURBSIDE COMPARTMENT LAYOUT	BODY MAT'L: ALUMINUM
SCALE: NTS	BODY LENGTH: 145"
DRAWN BY: NRW	APPROVED BY:
DATE: 3/13/2023	BODY STYLE:
DWG NO.: BULLDOGAPPARATUS	REVISION:

NOTE: ALL DIMENSIONS ARE APPROXIMATE