

**WARD APPARATUS**

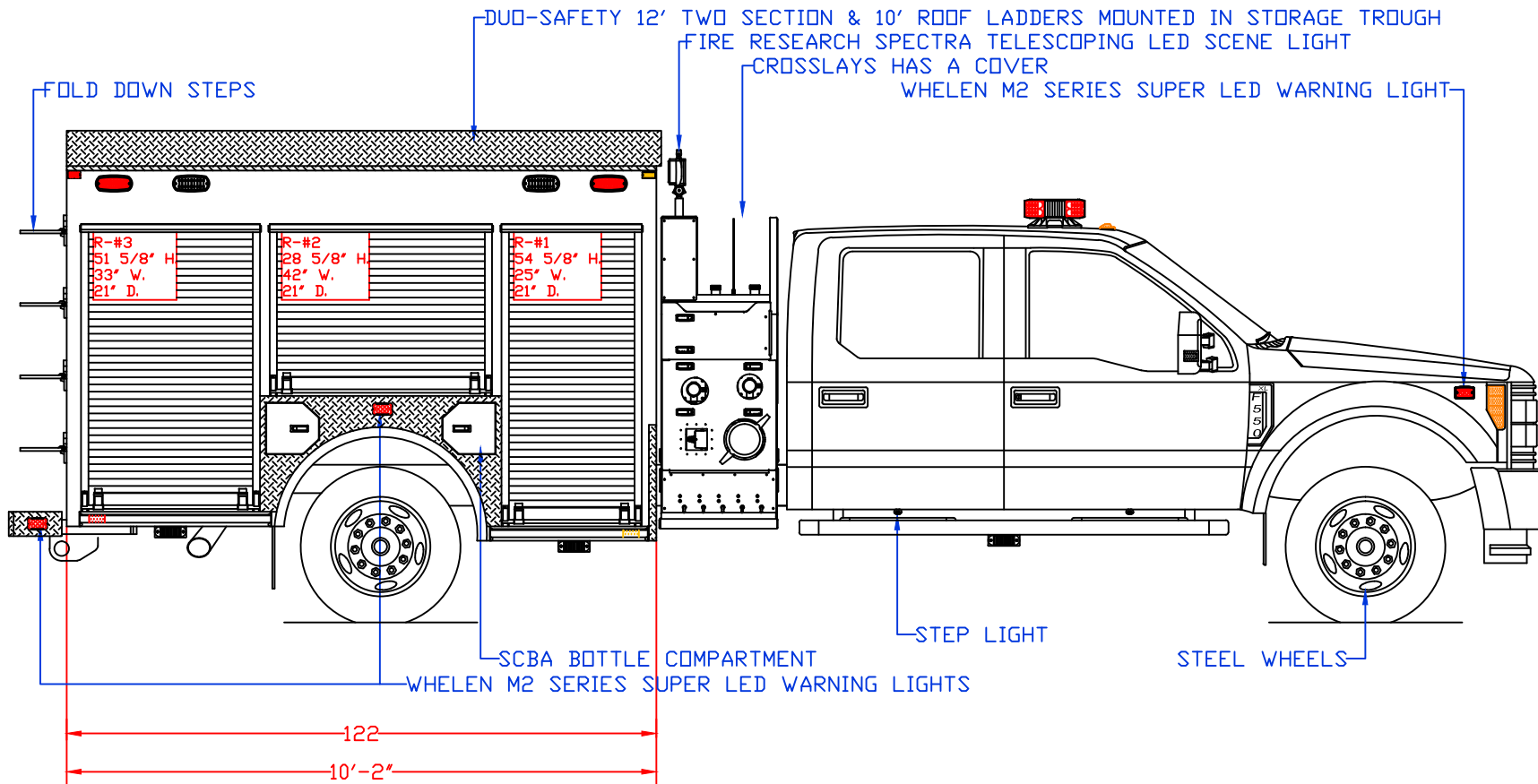
1250 SCHWEIZER ROAD PHONE (607) 796-0149  
 HORSEHEADS, NY 14845 FAX (607) 739-7092

BULLDOG FIRE APPARATUS

CUSTOMER APPROVED BY:

VEHICLE TYPE: ATP 1500 SERIES	CHASSIS: FORD F-550 CREW CAB 4X4
VIEW: STREETSIDE	BODY MAT'L: ALUMINUM
SCALE: NTS	BODY LENGTH: 122"
DRAWN BY: NRW	APPROVED BY:
DATE: 3/1/2022	BODY STYLE:
DWG NO.: BULLDOGPUMPER	REVISION:

NOTE: ALL DIMENSIONS ARE APPROXIMATE



**WARD APPARATUS**

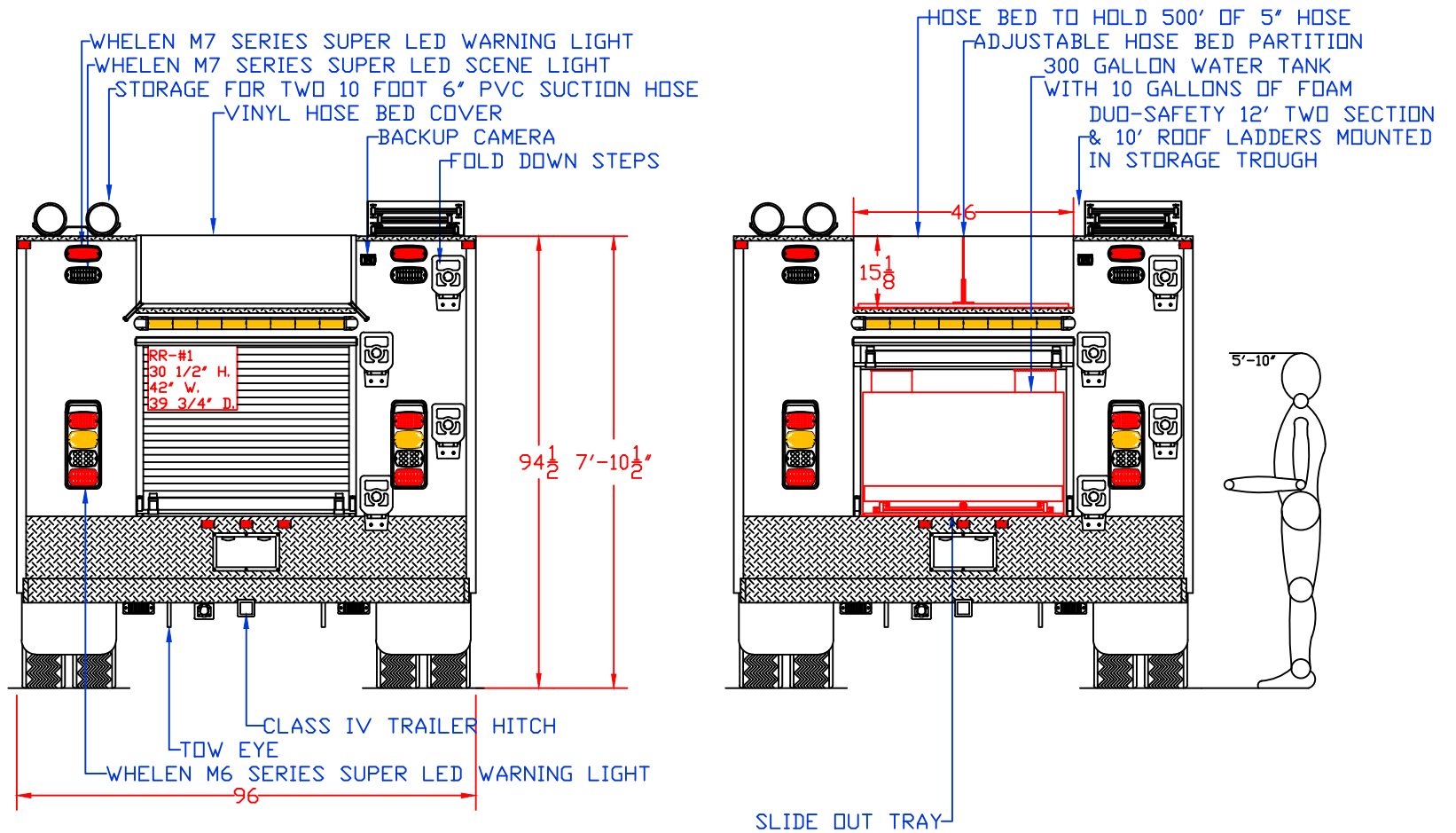
1250 SCHWEIZER ROAD PHONE (607) 796-0149  
 HORSEHEADS, NY 14845 FAX (607) 739-7092

BULLDOG FIRE APPARATUS

**CUSTOMER APPROVED BY:**

VEHICLE TYPE: ATP 1500 SERIES	CHASSIS: FORD F-550 CREW CAB 4X4
VIEW: CURBSIDE	BODY MAT'L: ALUMINUM
SCALE: NTS	BODY LENGTH: 122"
DRAWN BY: NRW	APPROVED BY:
DATE: 3/1/2022	BODY STYLE:
DWG NO.: BULLDOGPUMPER	REVISION:

NOTE: ALL DIMENSIONS ARE APPROXIMATE



**WARD APPARATUS**

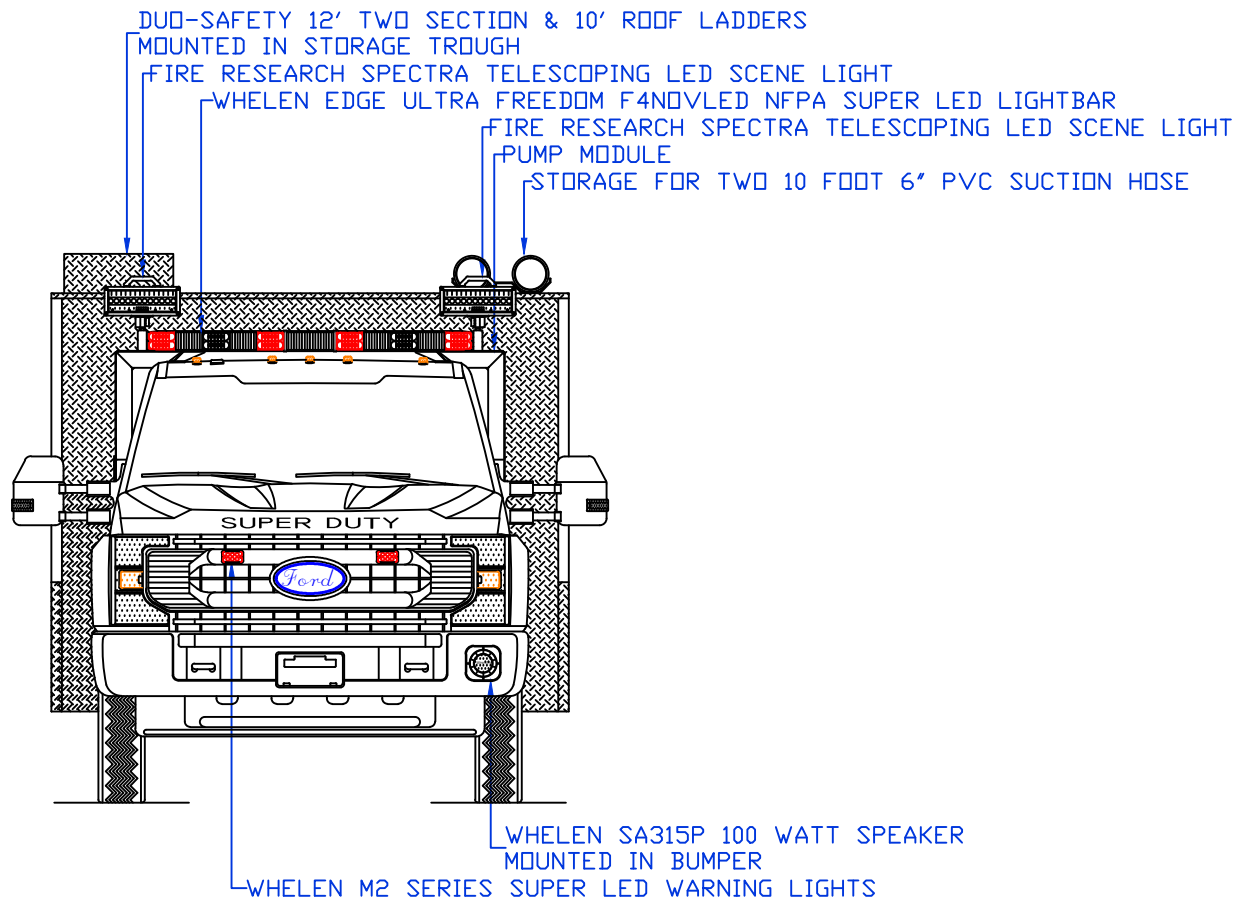
1250 SCHWEIZER ROAD PHONE (607) 796-0149  
 HORSEHEADS, NY 14845 FAX (607) 739-7092

BULLDOG FIRE APPARATUS

CUSTOMER APPROVED BY:

VEHICLE TYPE: ATP 1500 SERIES	CHASSIS: FORD F-550 CREW CAB 4X4
VIEW: REAR & REAR COMPARTMENT LAYOUT	BODY MAT'L: ALUMINUM
SCALE: NTS	BODY LENGTH: 122"
DRAWN BY: NRW	APPROVED BY:
DATE: 3/1/2022	BODY STYLE:
DWG NO.: BULLDOGPUMPER	REVISION:

NOTE: ALL DIMENSIONS ARE APPROXIMATE



**WARD APPARATUS**

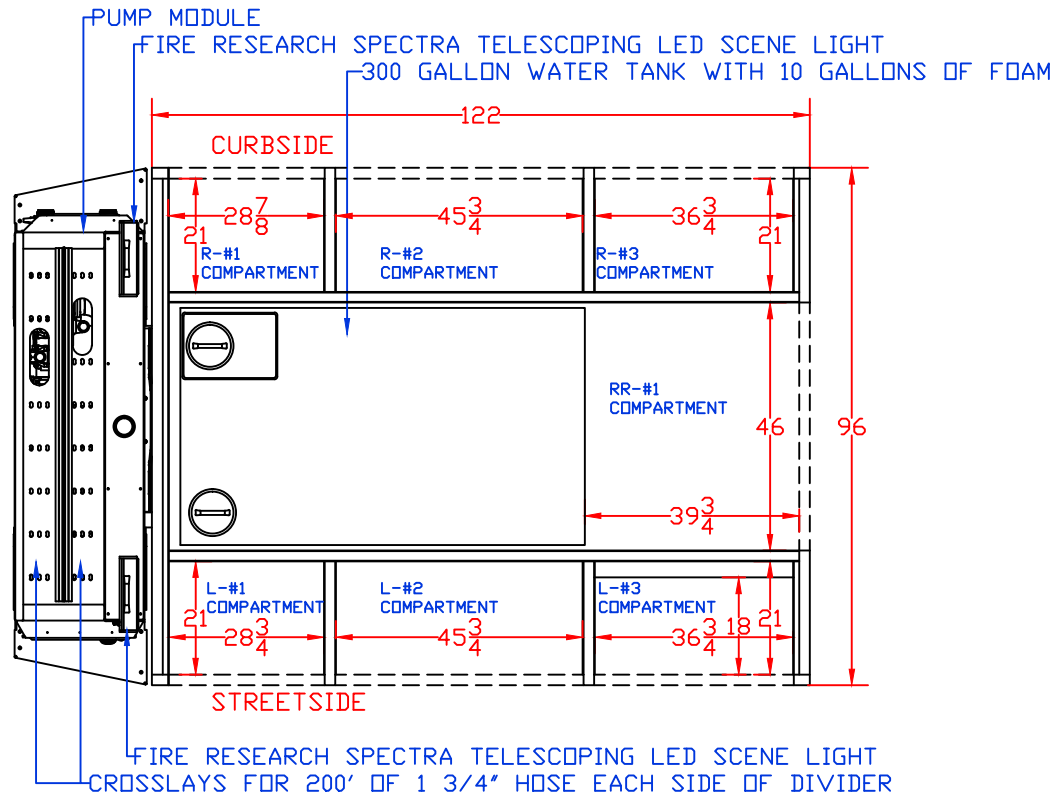
1250 SCHWEIZER ROAD PHONE (607) 796-0149  
 HORSEHEADS, NY 14845 FAX (607) 739-7092

**CUSTOMER APPROVED BY:**

VEHICLE TYPE: ATP 1500 SERIES	CHASSIS: FORD F-550 CREW CAB 4X4
VIEW: FRONT	BODY MAT'L: ALUMINUM
SCALE: NTS	BODY LENGTH: 122"
DRAWN BY: NRW	APPROVED BY:
DATE: 3/1/2022	BODY STYLE:
DWG NO.: BULLDOGPUMPER	REVISION:

BULLDOG FIRE APPARATUS

NOTE: ALL DIMENSIONS ARE APPROXIMATE



**WARD APPARATUS**

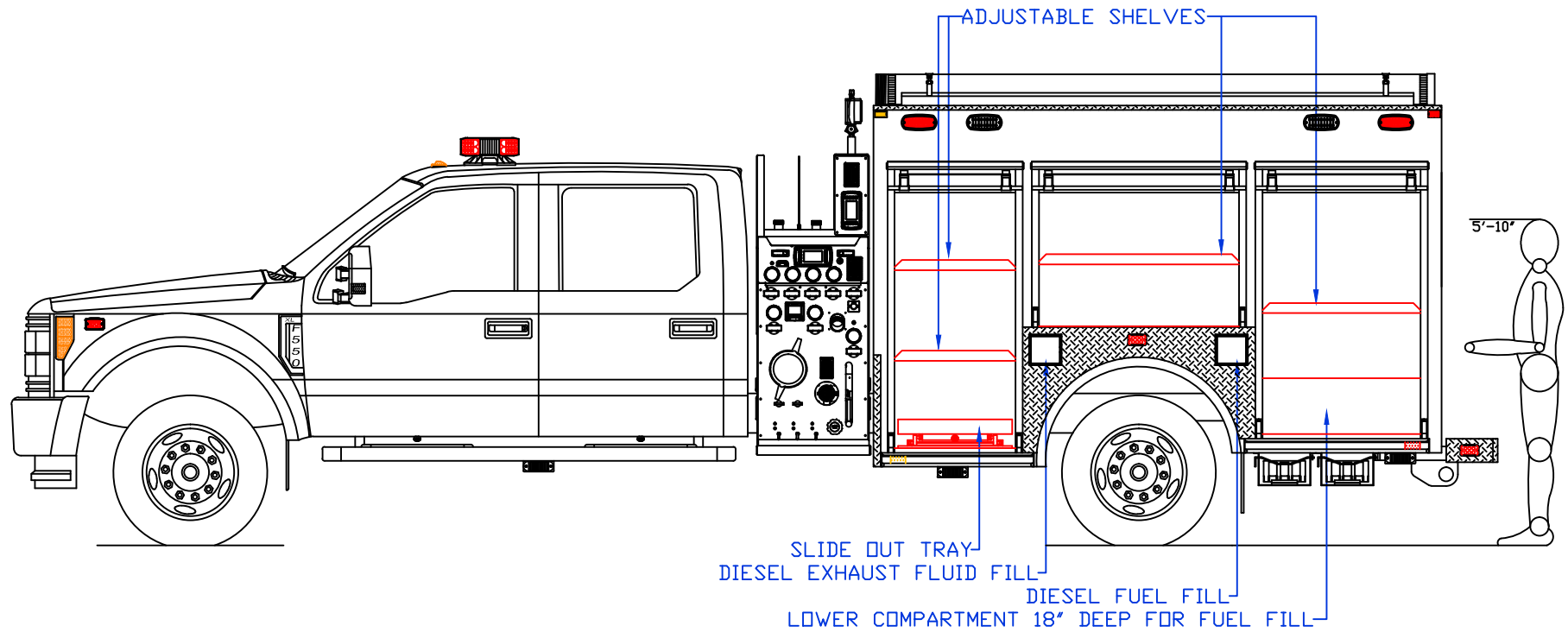
1250 SCHWEIZER ROAD PHONE (607) 796-0149  
 HORSEHEADS, NY 14845 FAX (607) 739-7092

BULLDOG FIRE APPARATUS

CUSTOMER APPROVED BY:

VEHICLE TYPE: ATP 1500 SERIES	CHASSIS: FORD F-550 CREW CAB 4X4
VIEW: TOP	BODY MAT'L: ALUMINUM
SCALE: NTS	BODY LENGTH: 122"
DRAWN BY: NRW	APPROVED BY:
DATE: 3/1/2022	BODY STYLE:
DWG NO.: BULLDOGPUMPER	REVISION:

NOTE: ALL DIMENSIONS ARE APPROXIMATE



**WARD APPARATUS**

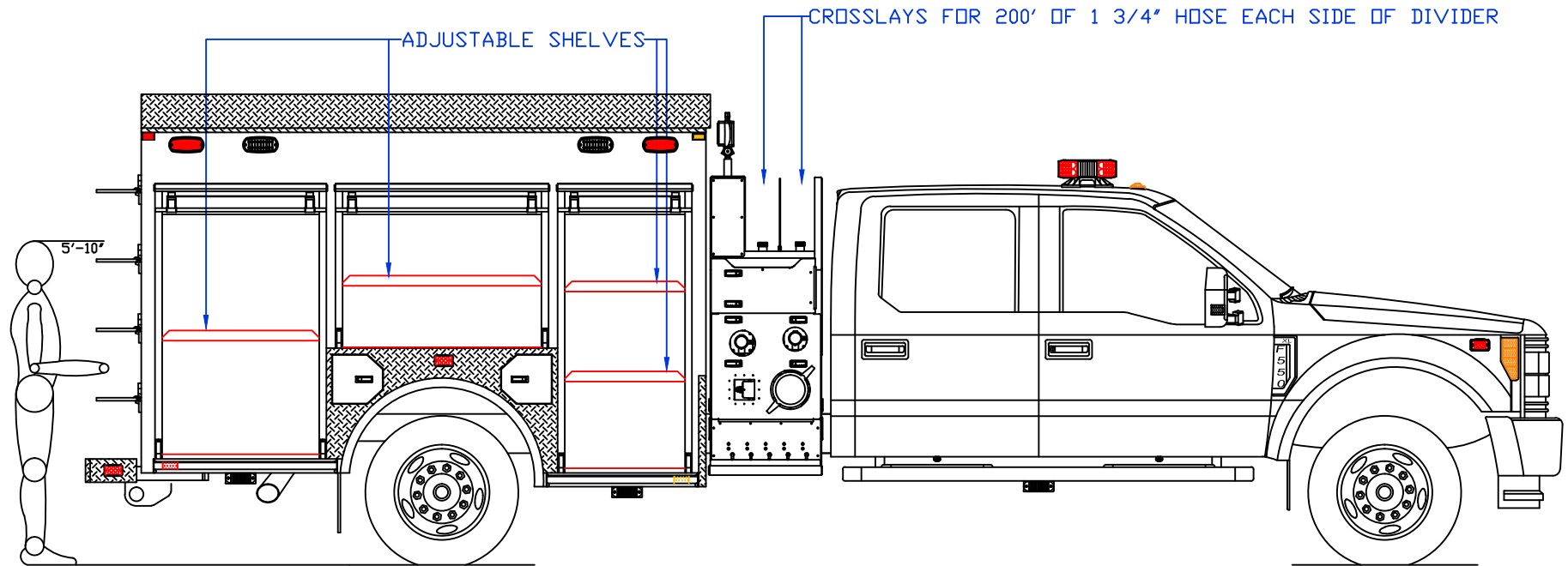
1250 SCHWEIZER ROAD    PHONE (607) 796-0149  
 HORSEHEADS, NY 14845    FAX (607) 739-7092

**BULLDOG FIRE APPARATUS**

**CUSTOMER APPROVED BY:**

VEHICLE TYPE: <b>ATP 1500 SERIES</b>	CHASSIS: <b>FORD F-550 CREW CAB 4X4</b>
VIEW: <b>STREETSIDE COMPARTMENT LAYOUT</b>	BODY MAT'L: <b>ALUMINUM</b>
SCALE: <b>NTS</b>	BODY LENGTH: <b>122"</b>
DRAWN BY: <b>NRW</b>	APPROVED BY:
DATE: <b>3/1/2022</b>	BODY STYLE:
DWG NO.: <b>BULLDOGPUMPER</b>	REVISION:

*NOTE: ALL DIMENSIONS ARE APPROXIMATE*



**WARD APPARATUS**

1250 SCHWEIZER ROAD PHONE (607) 796-0149  
 HORSEHEADS, NY 14845 FAX (607) 739-7092

**BULLDOG FIRE APPARATUS**

**CUSTOMER APPROVED BY:**

VEHICLE TYPE: ATP 1500 SERIES	CHASSIS: FORD F-550 CREW CAB 4X4
VIEW: CURBSIDE COMPARTMENT LAYOUT	BODY MAT'L: ALUMINUM
SCALE: NTS	BODY LENGTH: 122"
DRAWN BY: NRW	APPROVED BY:
DATE: 3/1/2022	BODY STYLE:
DWG NO.: BULLDOGPUMPER	REVISION:

*NOTE: ALL DIMENSIONS ARE APPROXIMATE*