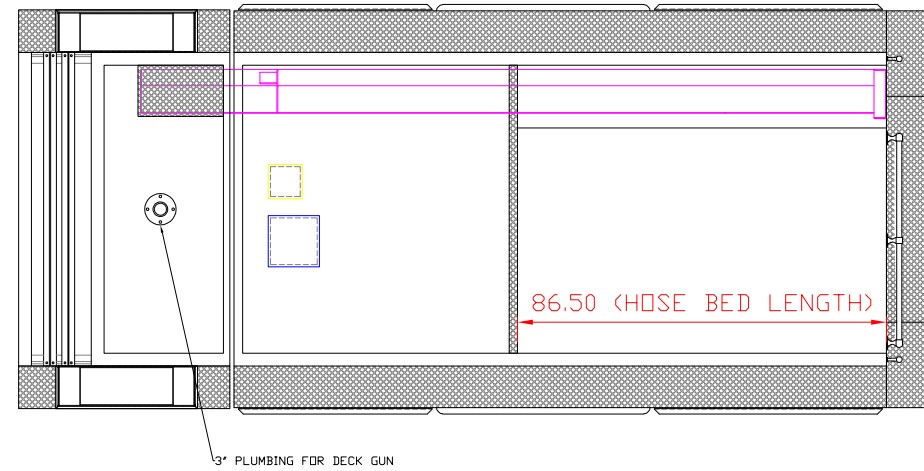


COMPARTMENT DIMENSIONS			
COMPT.	OPENING	INTERIOR	
L1/R1	33.50W X 51.75H	36W X 64H X 12D	12D UPPER 25D LOWER
L2/R2	55.50W X 19.50H	58W X 32H X 12D	
L3/R3	41.50W X 51.75H	44W X 64H X 12D	12D UPPER TRANS LOWER
B1	46.00W X 28.00H	46W X 28H X 29D	

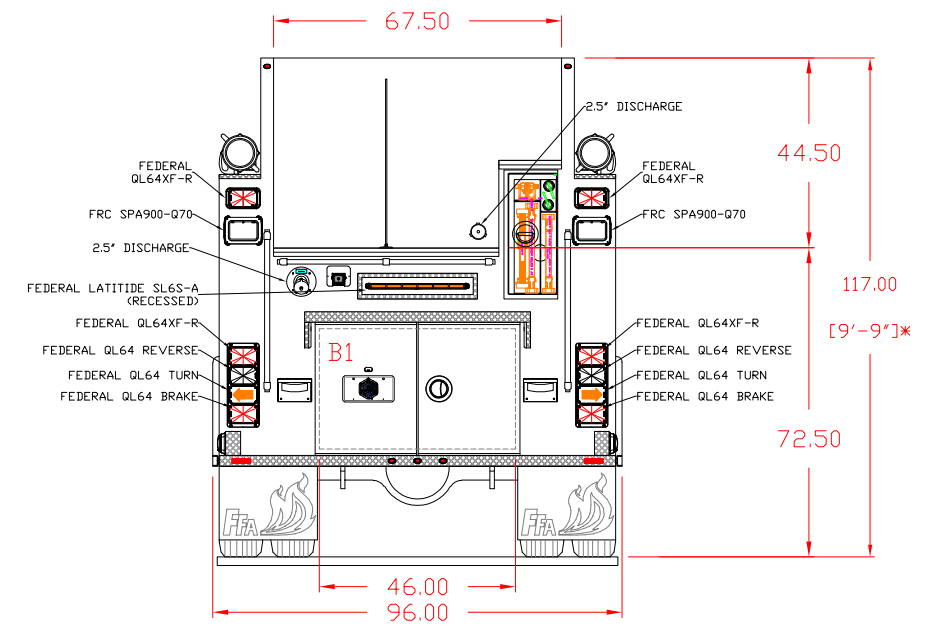
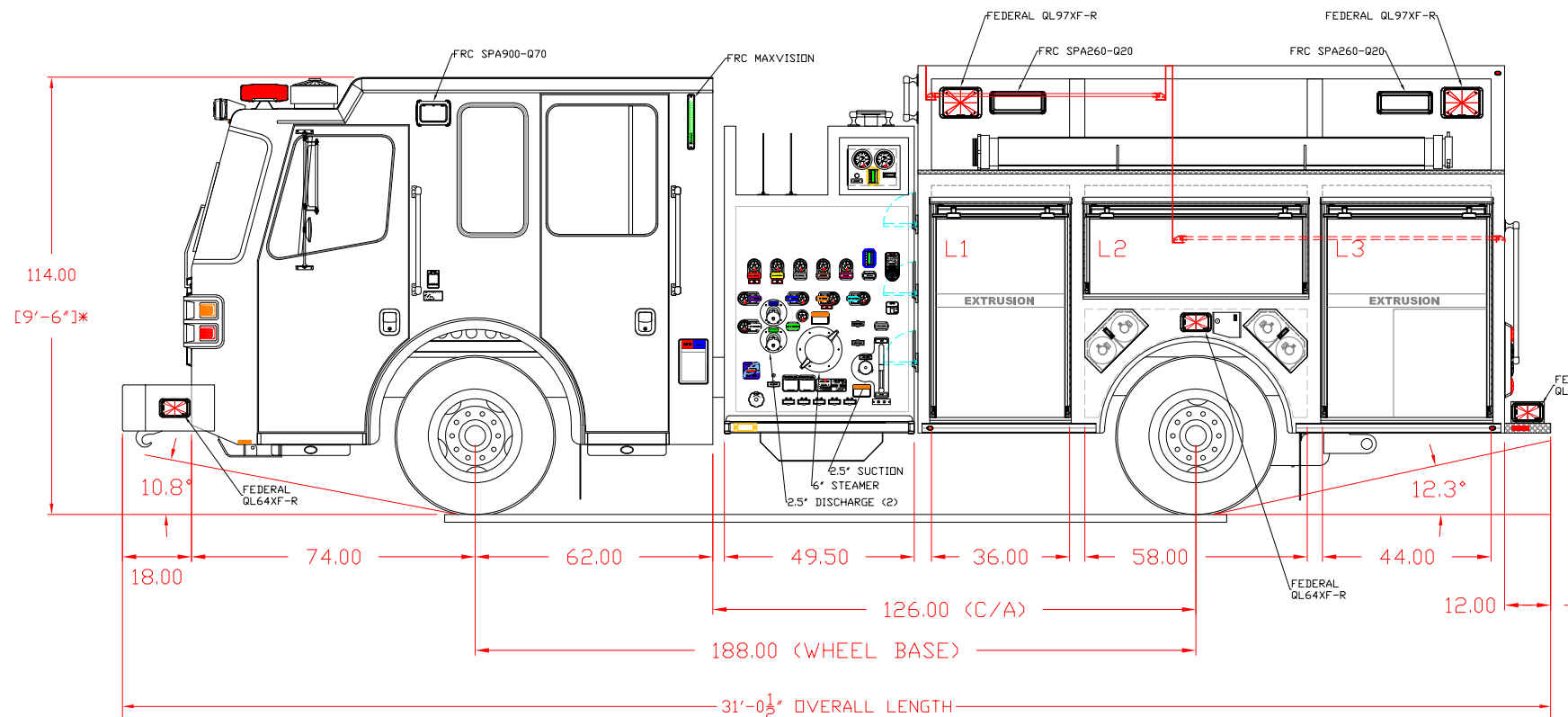
IT IS UNLAWFUL TO COPY OR REPRODUCE ANY OR ALL OF THIS DRAWING WITHOUT THE WRITTEN PERMISSION OF FERRARA FIRE APPARATUS. ANY UNAUTHORIZED REPRODUCTION WILL RESULT IN PROSECUTION TO THE FULLEST EXTENT OF THE LAW. DIMENSIONS AND ITEM LOCATIONS ARE APPROXIMATE AND ARE SUBJECT TO DEVIATIONS THAT MAY OCCUR OR BE NECESSARY DURING CONSTRUCTION. SOME DETAILS MAY NOT BE SHOWN.



**BULLDOG FIRE APPARATUS
DEMO PUMPER
JOB NO.: H7288
1,500 GPM WATEROUS CSU PUMP
1,000 GALLON WATER TANK
20 GALLON FOAM TANK**

CUSTOMER APPROVAL
 NAME: *Christopher Kuzio*
 BY: _____
 TITLE: _____
 DATE: 11/14/2023

DRAWING IS A VISUAL REPRESENTATION OF A SPECIFIED APPARATUS. IN THE EVENT OF DISCREPANCIES BETWEEN SPECIFICATIONS AND DRAWING, THE SPECIFICATIONS SHALL PREVAIL. DRAWING IS FOR REFERENCE ONLY. SOME DETAILS MAY NOT BE SHOWN OR NOTED.



10-24-23 APPROVAL (AN)
 *HEIGHT COULD VARY +/- 2" BASED ON LOADING OF VEHICLE