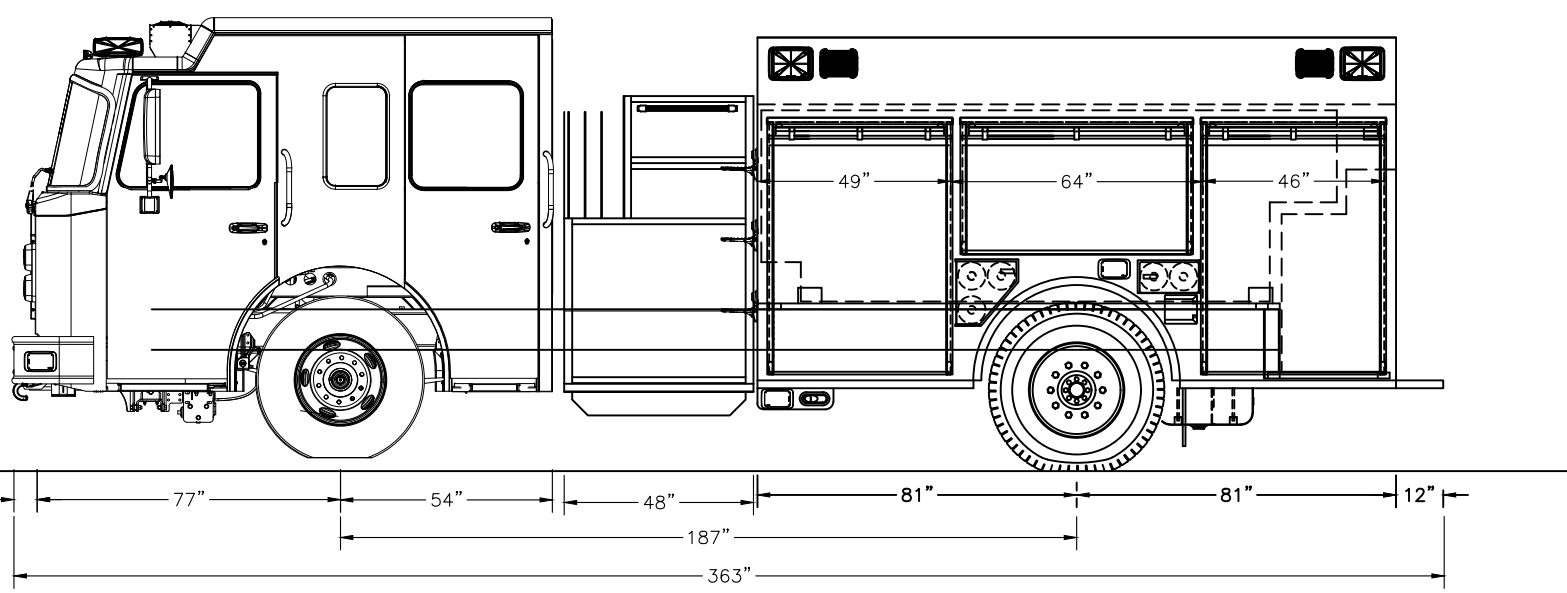
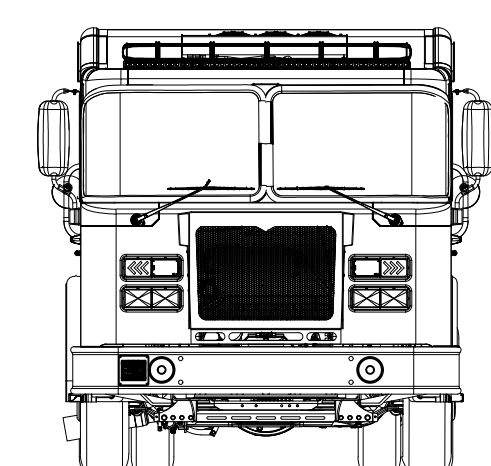
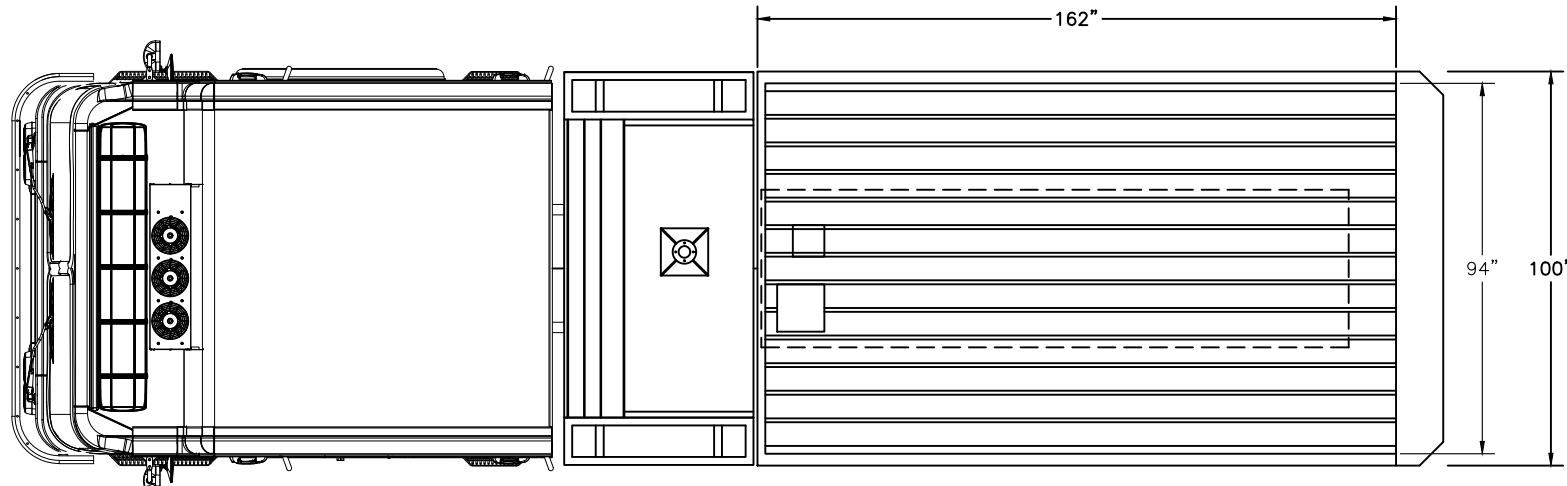
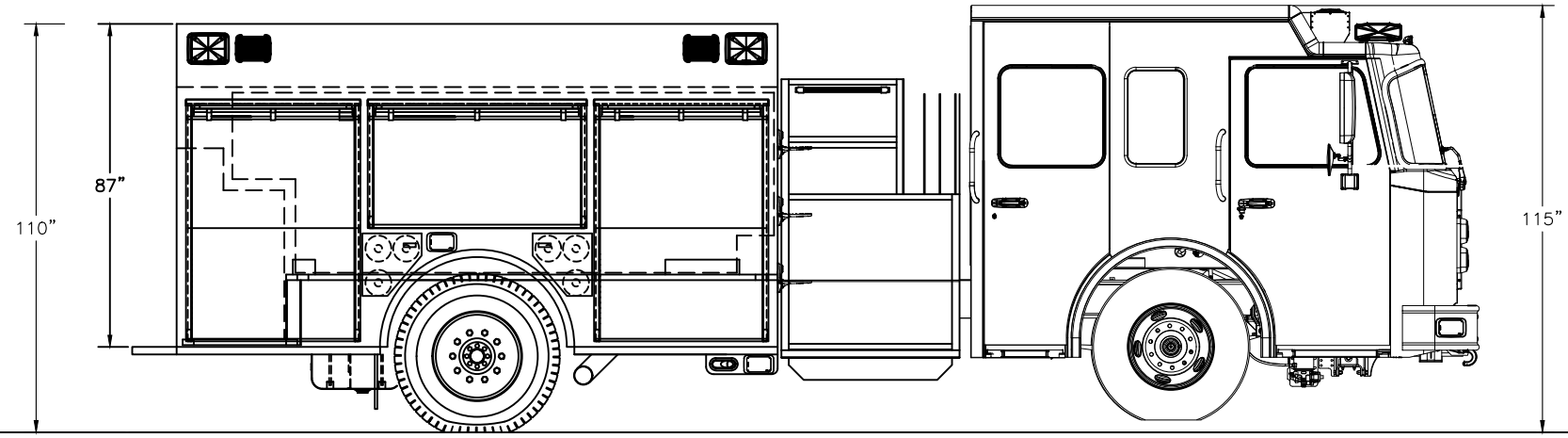
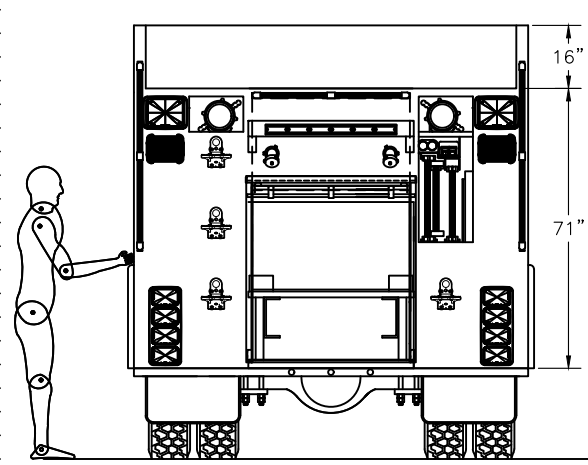


12'
11'-6"
11'
10'-6"
10'
9'-6"
9'
8'-6"
8'
7'-6"
7'
6'-6"
6'
5'-6"
5'
4'-6"
4'
3'-6"
3'
2'-6"
2'
1'-6"
1'
6"
0"



CAB: 94" FC-94 MFD 10" RR
 ENGINE & TRANS: CUMMINS L9 450 HP/ALLISON 3000 EVS
 AXLES: 20,000# FRONT/27,000# REAR
 PUMP: WATEROUS CSU-C20 1500 GPM SINGLE STAGE PUMP
 WATER TANK: 980 GALLONS POLY W/20 GALLONS FOAM
 BODY TYPE: CHALLENGER WB 3/16" ALUMINUM
 FOAM SYSTEM: PLUMBING PROVISION

THIS DRAWING IS A GENERAL CONFIGURATION AND MAY NOT NECESSARILY REFLECT ALL CONTRACTUAL REQUIREMENTS. CONTRACT SPECIFICATIONS SHALL PREVAIL OVER DRAWING.

CUSTOMER APPROVAL:
 NAME: _____
 TITLE: _____
 DATE: _____

SYM	DATE	REVISION DESCRIPTION	APP'D
SALES ENGINEER : TBD			

DIMENSIONS ARE APPROXIMATE & MAY VARY DUE TO BUILD ADJUSTMENTS			
SCALE	DWG SIZE	DRAWN BY	DATE
NONE	B	MJH	7/14/2022
		APPROVED BY	
CUSTOM PUMPER			
BULLDOG RETAIL			
QUOTE # 8295-0			

