



# FIRST OUT UTILITY RESCUE



## FIRST CHOICE OF FIRST RESPONDERS Introducing the Fouts FOUR

The first of its kind in the industry – designed specifically to be the best First Out Utility Rescue. The Fouts FOUR features a lightweight aluminum body which allows you to carry multiple rescue tools and more equipment. This feature-packed response vehicle can help your team respond to the wide variety of emergency calls required by today's Fire, Rescue and EMS professionals.

### VERSATILE

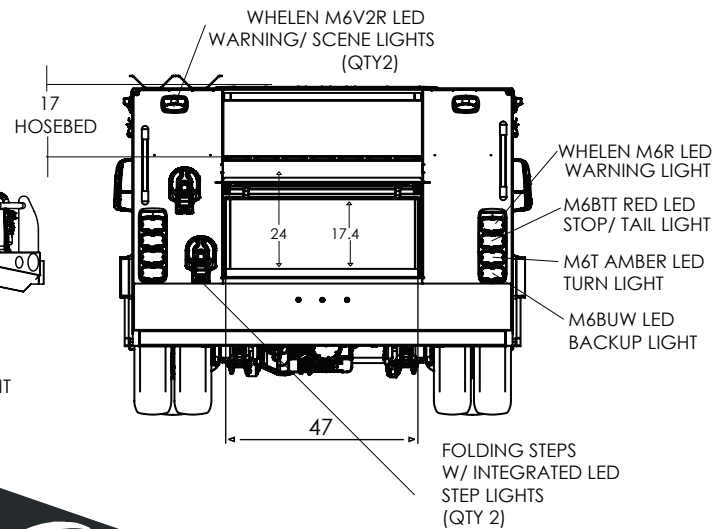
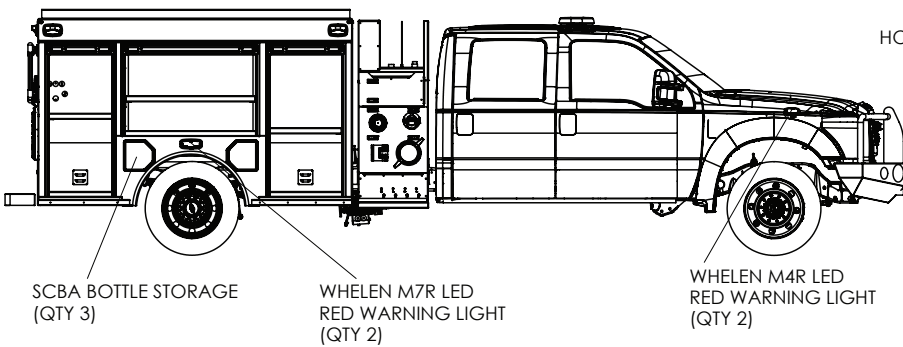
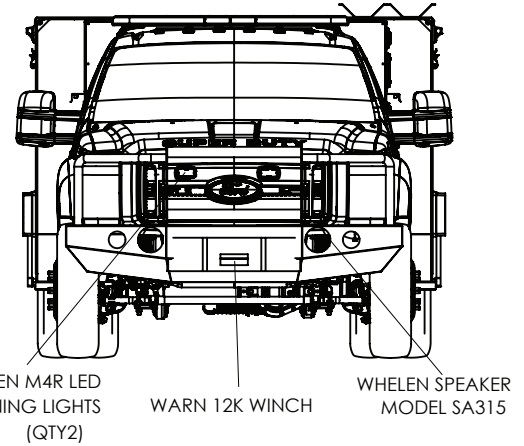
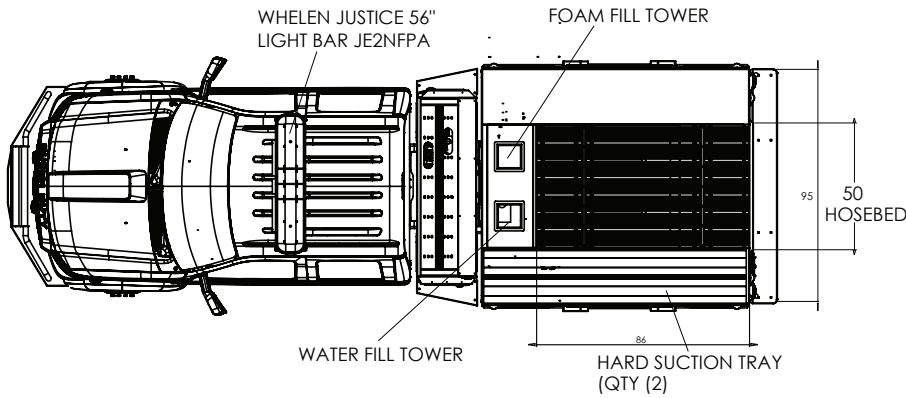
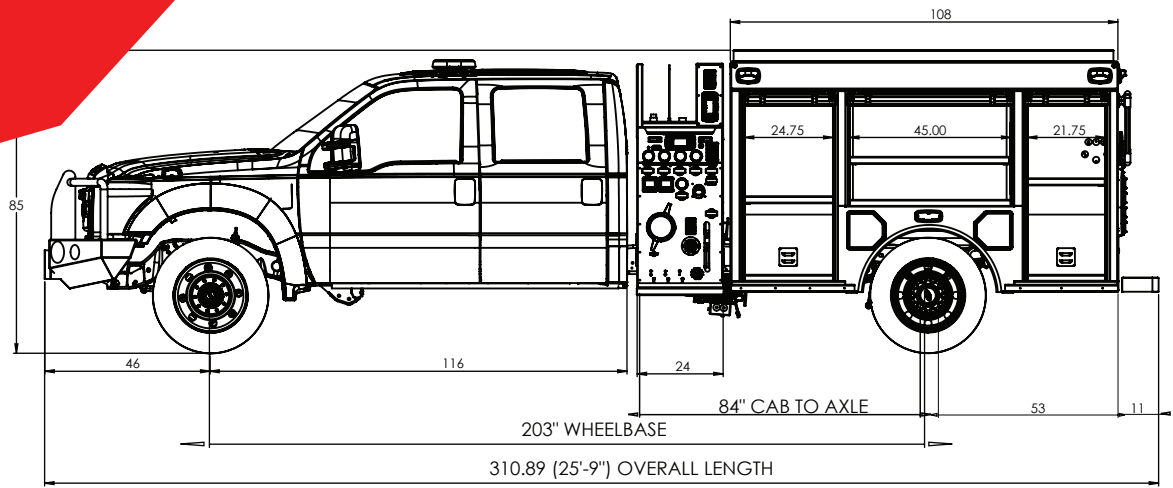
The Fouts FOUR, with its multipurpose call capacity, can operate in a wide range of conditions from high density tight traffic areas to rural brush fires. Features include 1,500 GPM pump and 300 US Gallon capacity. F550 Ford chassis 4x4 crew cab.

### AFFORDABLE

We've packed a lot of value in this apparatus and made it affordable, even for departments with tight budgets and limited resources. You'll use the Fouts FOUR across a wide range of first responder services including EMS calls, traffic emergencies, fire and rescue.

### ECONOMICAL

The Fouts FOUR can help you control maintenance costs. Dispatch this multipurpose unit on calls that don't require your big rigs, reducing maintenance and wear-and-tear on large apparatus. This truck can also operate with a smaller crew and still be able to perform multiple tasks.




**FOUTS FOUR**  
FIRST OUT UTILITY RESCUE

9 foot Aluminum Body

Ford F-550 Crew Cab 4x4

285/15 Gallon Tank

Hale DSD 1500 GPM Pump with SAM System upgrade available

Rear Booster Reel with 100 ft of 1 inch hose

Whelen Lighting Package