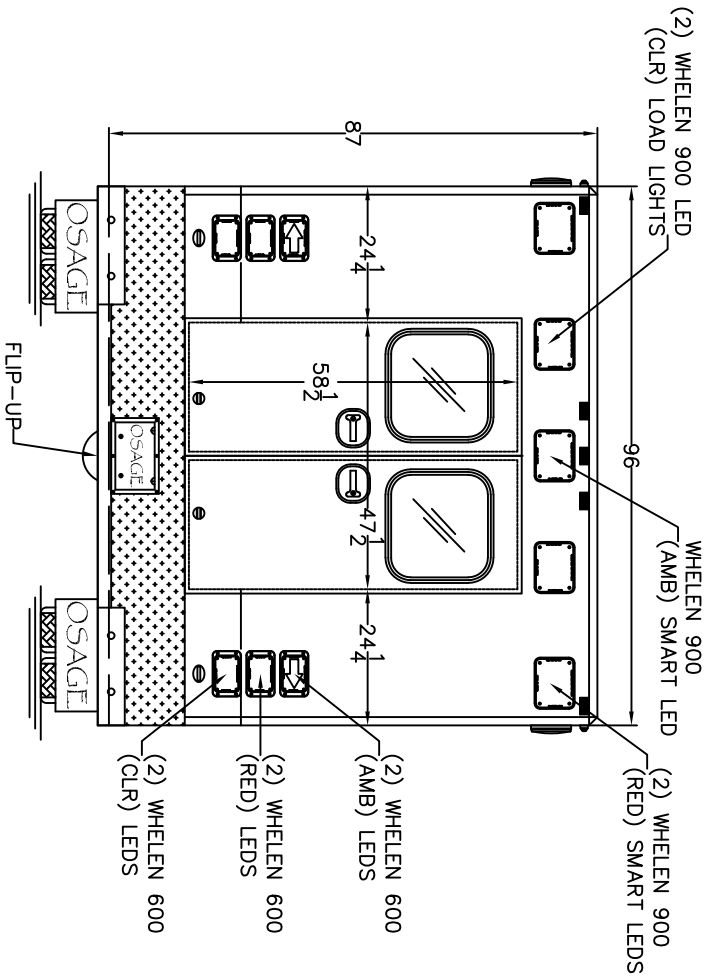
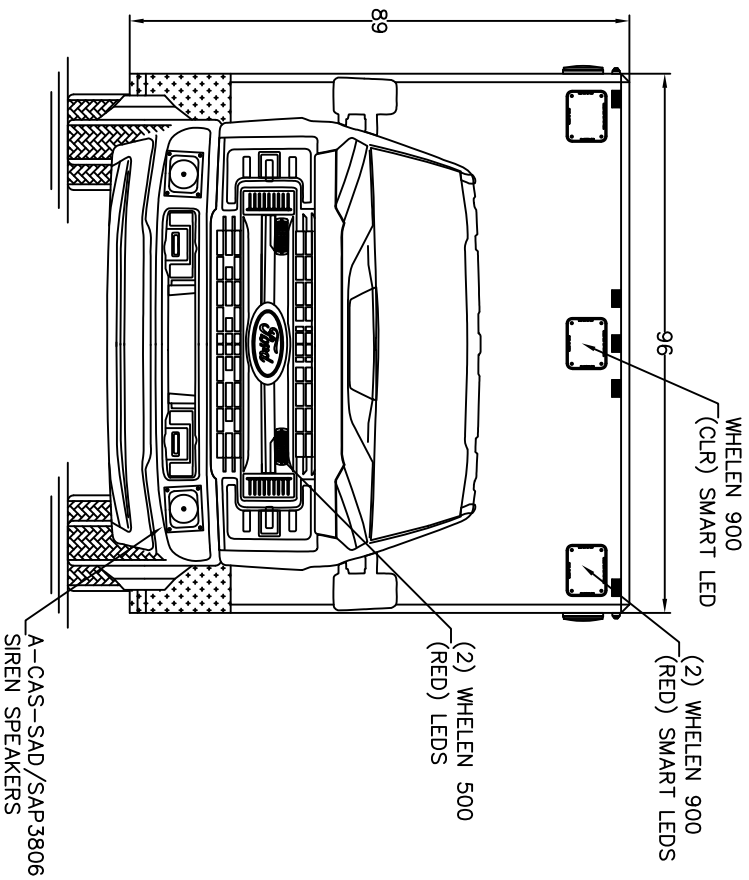


NOTES: THIS DRAWING IS NOT TO SCALE.  
 CHARACTERISTICS AND DIMENSIONS OF FINISHED PRODUCT MAY VARY.

NOTES:  
 1) COMPARTMENT DIMENSIONS REFLECT OPENING CLEARANCE.  
 2) APPROXIMATE COMPARTMENT DEPTH=20 1/2" DEEP.  
 3) MODULE DIMENSIONS=148"L x 96"W x 89"H  
 4) INTERIOR MODULE HEAD ROOM=68"H.  
 5) ALL 9x7 LIGHTS TO BE WHELEN 900 SERIES LIGHTS.  
 6) DOUBLE STAINLESS THRESHOLDS.  
 7) STYROFOAM INSULATION, WALLS & CEILING.

Rev.#	Revision Description	Date	Rev'd	App'vd
3				
2				
1				

Stock/Job#:	Drawing#:	Cust. App'v/Date#	Deal'r App'v/Date:
Osage Dealer:	20-1-2148-B-100		
End Customer:	<b>Osage Industries, Inc.</b> TWINRIDGE ROAD P.O. BOX 718 LINN, MO. 65051		
<b>NOTICE</b>			
This drawing and/or the information hereon is the exclusive property of Osage Industries and shall not be reproduced, used or disclosed without the authorized written consent of Osage Industries.			
Drawn By:	Date:	Scale:	NOT TO SCALE
S.A.H.	06-05-19		
Drawing Description:	EXTERIOR LAYOUT TYPE-I WARRIOR		
Revision#	1		

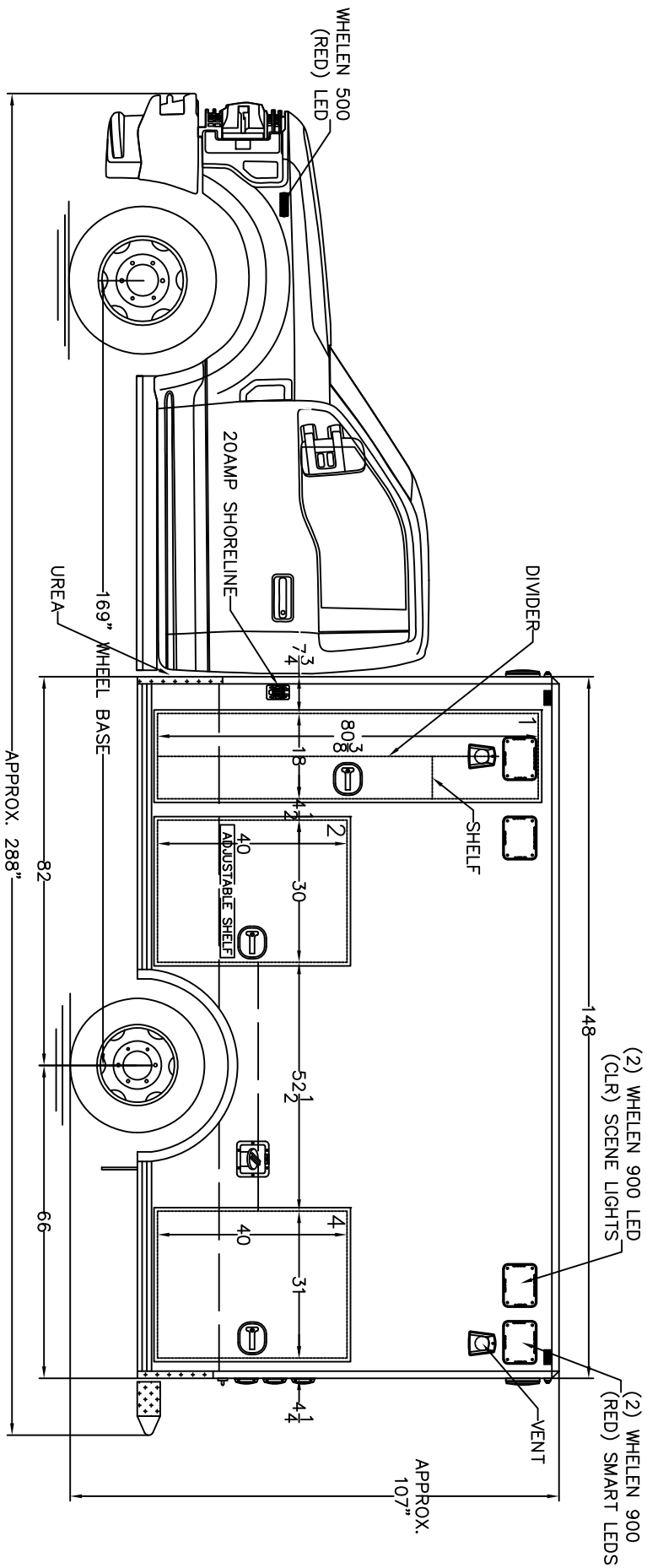


NOTES: THIS DRAWING IS NOT TO SCALE.  
CHARACTERISTICS AND DIMENSIONS OF FINISHED PRODUCT MAY VARY.

- NOTES:
- 1.) COMPARTMENT DIMENSIONS REFLECT OPENING CLEARANCE.
  - 2.) APPROXIMATE COMPARTMENT DEPTH=20 1/2" DEEP.
  - 3.) MODULE DIMENSIONS=148"L x 96"W x 89"H
  - 4.) INTERIOR MODULE HEAD ROOM=68"H.
  - 5.) ALL 9x7 LIGHTS TO BE WHELEN 900 SERIES LIGHTS.
  - 6.) DOUBLE STAINLESS THRESHOLDS.
  - 7.) STYROFOAM INSULATION, WALLS & CEILING.

3			
2			
1			
Rev.#	Revision Description	Date	Rev'd App'vd

Stock/Job#:	Drawing#	Cust. App'v/Date#	Deal'r App'v/Date:
Osage Dealer:	20-1-2148-B-100A		
End Customer:	TWINRIDGE ROAD		
	Osage Industries, Inc.		
	P.O. BOX 718		
	LINN, MO. 65051		
NOTICE	Drawn By: S.A.H.	Date: 06-05-19	Scale: NOT TO SCALE
This drawing and/or the information hereon is the exclusive property of Osage Industries and shall not be reproduced, used or disclosed without the authorized written consent of Osage Industries.	Drawing Description:	EXTERIOR LAYOUT, FRONT/REAR TYPE-I WARRIOR	
			Revision#
			1

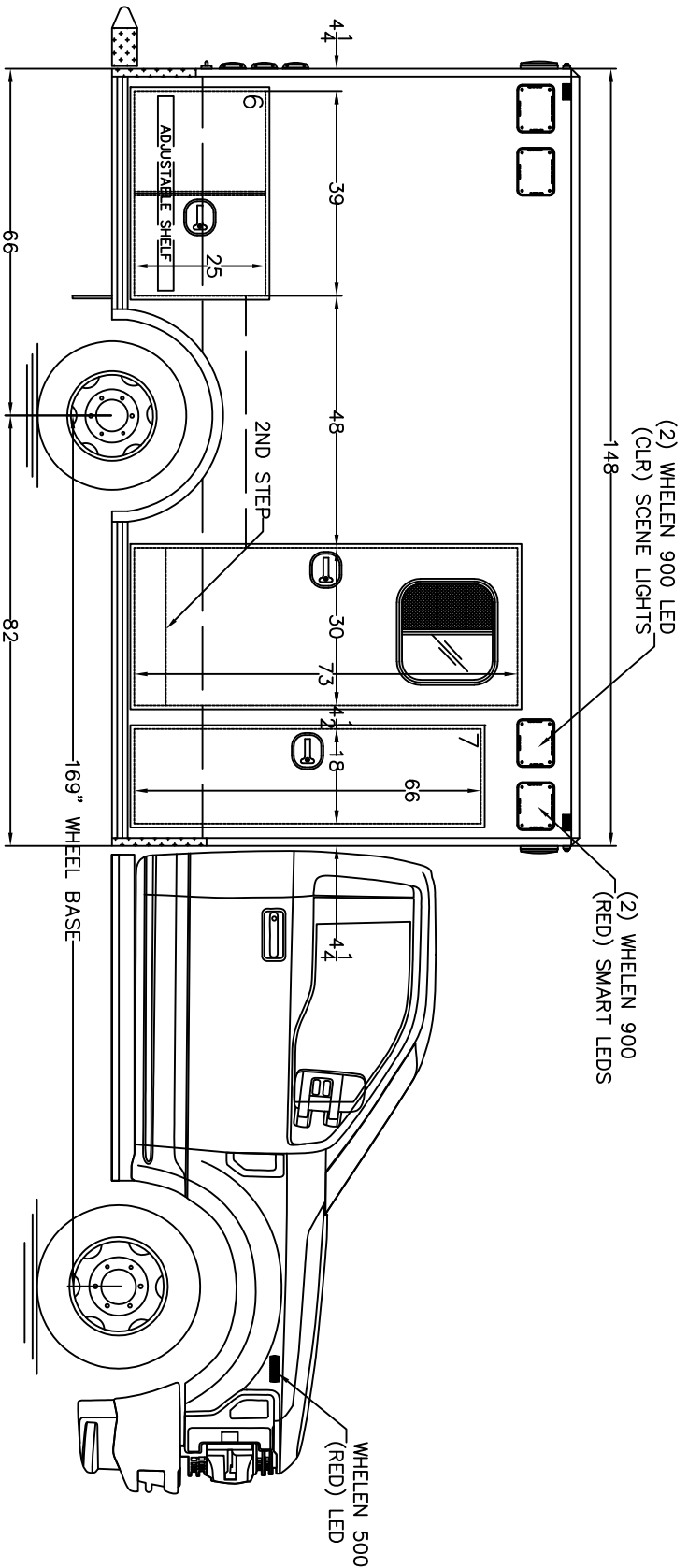


NOTES: THIS DRAWING IS NOT TO SCALE.  
 CHARACTERISTICS AND DIMENSIONS OF FINISHED PRODUCT MAY VARY.

- NOTES:
- 1.) COMPARTMENT DIMENSIONS REFLECT OPENING CLEARANCE.
  - 2.) APPROXIMATE COMPARTMENT DEPTH=20 1/2" DEEP.
  - 3.) MODULE DIMENSIONS=148"L x 96"W x 89"H
  - 4.) INTERIOR MODULE HEAD ROOM=68"H.
  - 5.) ALL 9x7 LIGHTS TO BE WHELEN 900 SERIES LIGHTS.
  - 6.) DOUBLE STAINLESS THRESHOLDS.
  - 7.) STYROFOAM INSULATION, WALLS & CEILING.

3			
2			
1			
Rev.#	Revision Description	Date	Rev'd App'vd

Stock/Job#:	Drawing#	Cust. App'v/Date#	Deal'r App'v/Date:
Osage Dealer:	20-1-2148-B-100B		
End Customer:	TWIN RIDGE ROAD		
	Osage Industries, Inc.		
	P.O. BOX 718		
	LINN, MO. 65051		
Drawn By:	S.A.H.	Date:	06-05-19
Drawing Description:	EXTERIOR LAYOUT, STREETSIDE TYPE-1 WARRIOR		
NOTICE	This drawing and/or the information hereon is the exclusive property of Osage Industries and shall not be reproduced, used or disclosed without the authorized written consent of Osage Industries.		
Scale:	NOT TO SCALE		
Revision#	1		



NOTES: THIS DRAWING IS NOT TO SCALE.  
 CHARACTERISTICS AND DIMENSIONS OF FINISHED PRODUCT MAY VARY.

NOTES:

- 1.) COMPARTMENT DIMENSIONS REFLECT OPENING CLEARANCE.
- 2.) APPROXIMATE COMPARTMENT DEPTH=20 1/2" DEEP.
- 3.) MODULE DIMENSIONS=148"L x 96"W x 89"H
- 4.) INTERIOR MODULE HEAD ROOM=68"H.
- 5.) ALL 9x7 LIGHTS TO BE WHELEN 900 SERIES LIGHTS.
- 6.) DOUBLE STAINLESS THRESHOLDS.
- 7.) STYROFOAM INSULATION, WALLS & CEILING.

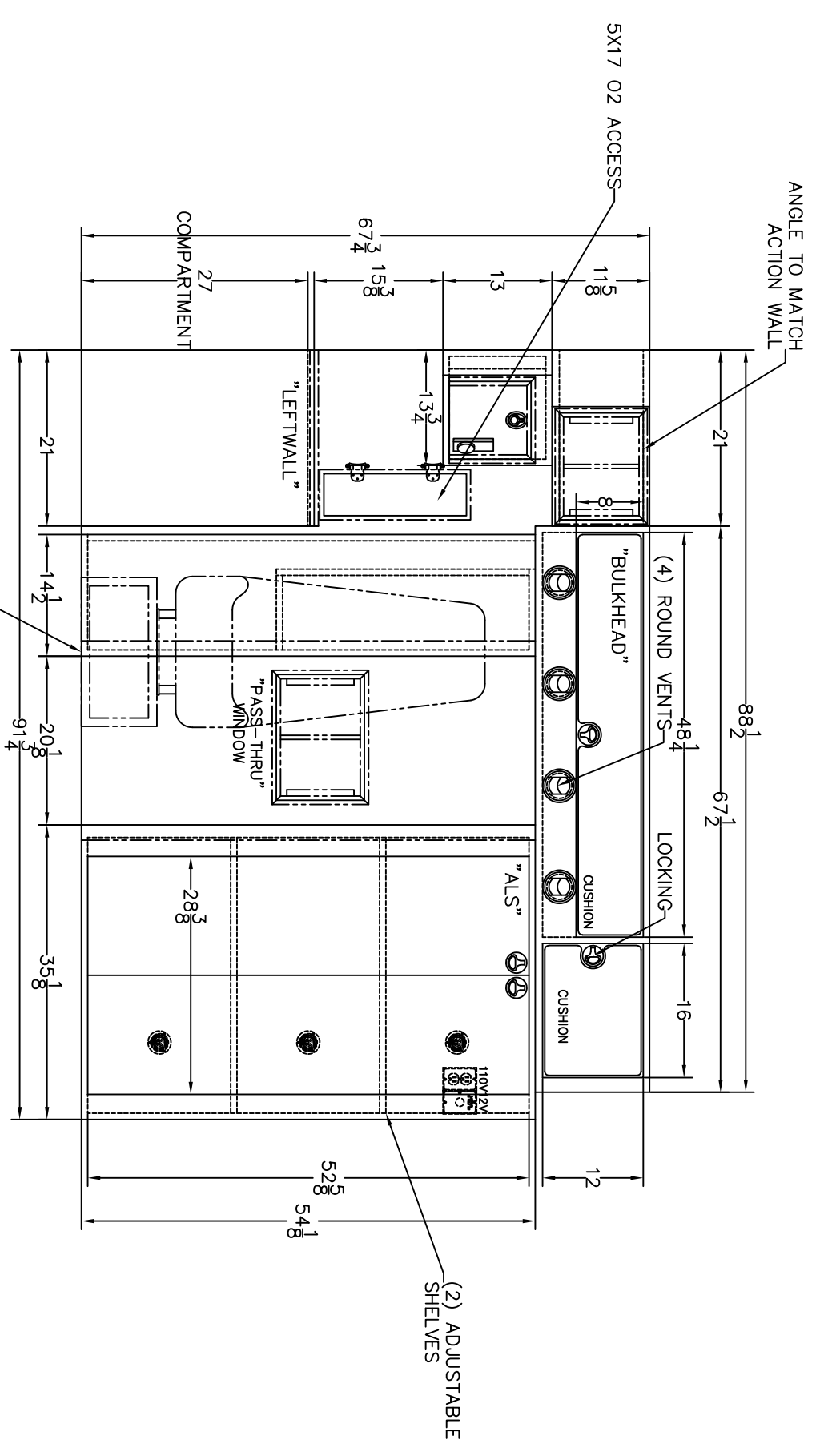
3			
2			
1			
Rev.#	Revision Description	Date	Rev'd App'vd

Stock/Job#:	Drawing#	Cust. App'v/Date#	Deal'r App'v/Date:
Osage Dealer:	20-1-2148-B-100C		
End Customer:	TWIN RIDGE ROAD		
	Osage Industries, Inc.		
	P.O. BOX 718		
	LINN, MO. 65051		
Drawn By:	S.A.H.	Date:	06-05-19
Drawing Description:		Scale:	NOT TO SCALE
EXTERIOR LAYOUT, CURBSIDE		Revision#	1
TYPE-1 WARRIOR			

NOTICE

This drawing and/or the information hereon is the exclusive property of Osage Industries and shall not be reproduced, used or disclosed without the authorized written consent of Osage Industries.

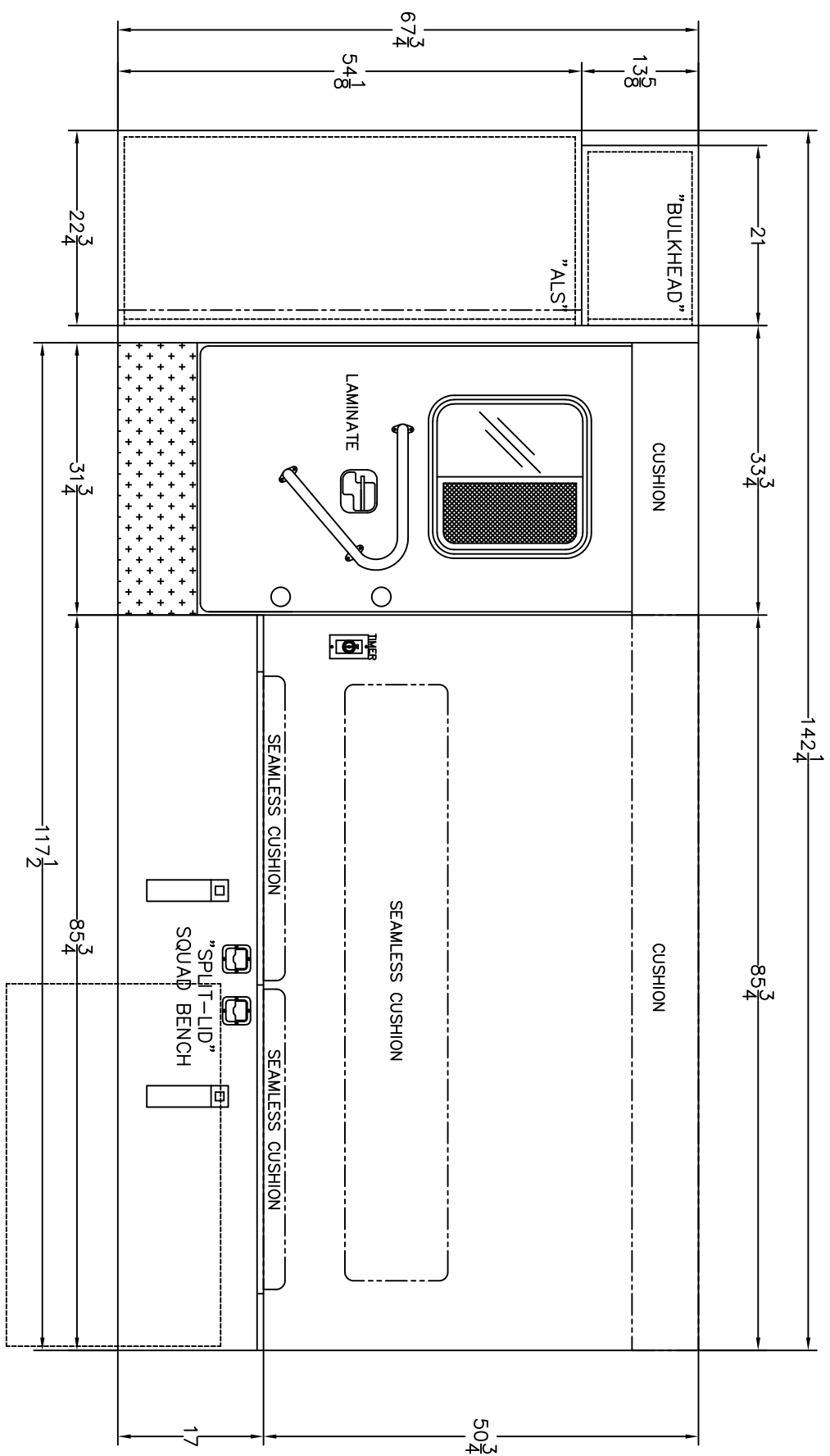




E.V.S. 3-PT. ATTENDANT SEAT

NOTES: THIS DRAWING IS NOT TO SCALE.  
 CHARACTERISTICS AND DIMENSIONS OF FINISHED PRODUCT MAY VARY.  
 NOTES: CABINET DEPTHS REPRESENT DIMENSION FROM INSIDE REAR TO FRONT FACE OF CABINETS, WITHOUT TRIM.  
 ACTUAL WORKING DEPTH WILL BE LESS THAN DIMENSION SHOWN UNLESS OTHERWISE SPECIFIED.

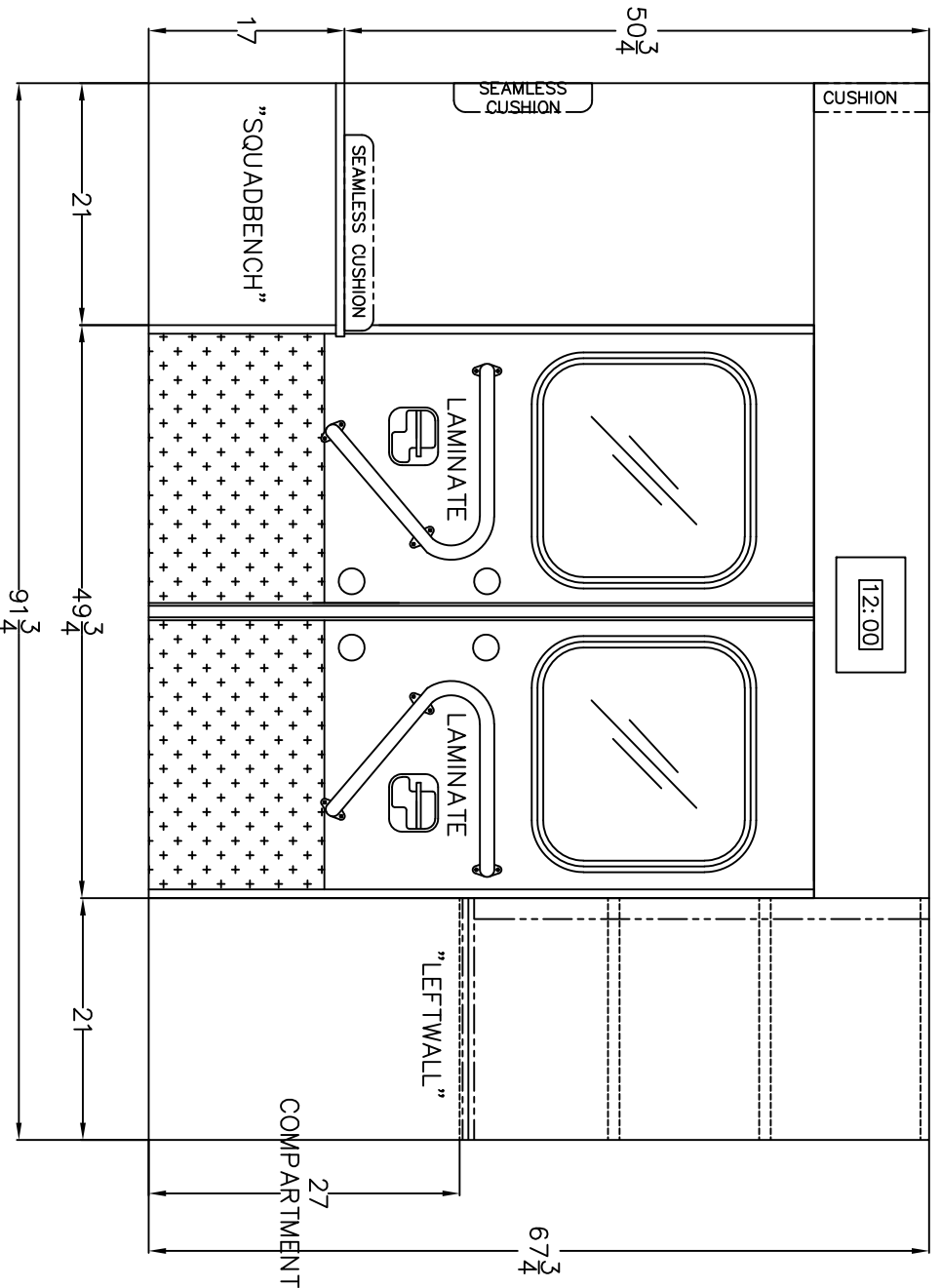
Stock/Job#:	Drawing#	Cust. App'v/Date#	Decl'r App'v/Date:
Osage Dealer:	20-1-2148-B-102		
End Customer:	<b>Osage Industries, Inc.</b> TWINRIDGE ROAD P.O. BOX 718 LINN, MO. 65051		
<b>NOTICE</b>			
This drawing and/or the information hereon is the exclusive property of Osage Industries and shall not be reproduced, used or disclosed without the authorized written consent of Osage Industries.			
Drawn By:	S.A.H.	Date:	06-05-19
Drawing Description:	FORWARD INTERIOR TYPE-I WARRIOR		Scale: NOT TO SCALE
Revision #	Revision Description	Date	Rev'd App'vd
3			
2			
1			
Rev.#	Revision Description	Date	Rev'd App'vd



NOTES: THIS DRAWING IS NOT TO SCALE.  
 CHARACTERISTICS AND DIMENSIONS OF FINISHED PRODUCT MAY VARY.  
 NOTES: CABINET DEPTHS REPRESENT DIMENSION FROM INSIDE  
 REAR TO FRONT FACE OF CABINETS, WITHOUT TRIM. ACTUAL  
 WORKING DEPTH WILL BE LESS THAN DIMENSION SHOWN UNLESS  
 OTHERWISE SPECIFIED.

3				
2				
1				
Rev.#	Revision Description	Date	Rev'd	App'vd

Stock/Job#:	Drawing#	Cust. App'v/Date#	Deal'r App'v/Date:
Osage Dealer:	20-1-2148-B-103		
End Customer:			
<b>NOTICE</b>			
This drawing and/or the information hereon is the exclusive property of Osage Industries and shall not be reproduced, used or disclosed without the authorized written consent of Osage Industries.			
Drawn By:	S.A.H.	Date:	06-05-19
Drawing Description:	CURBSIDE INTERIOR TYPE-1 WARRIOR		
Osage Industries, Inc.		LINN, MO. 65051	
TWINRIDGE ROAD		P.O. BOX 718	
Scale:		NOT TO SCALE	
Revision#		1	

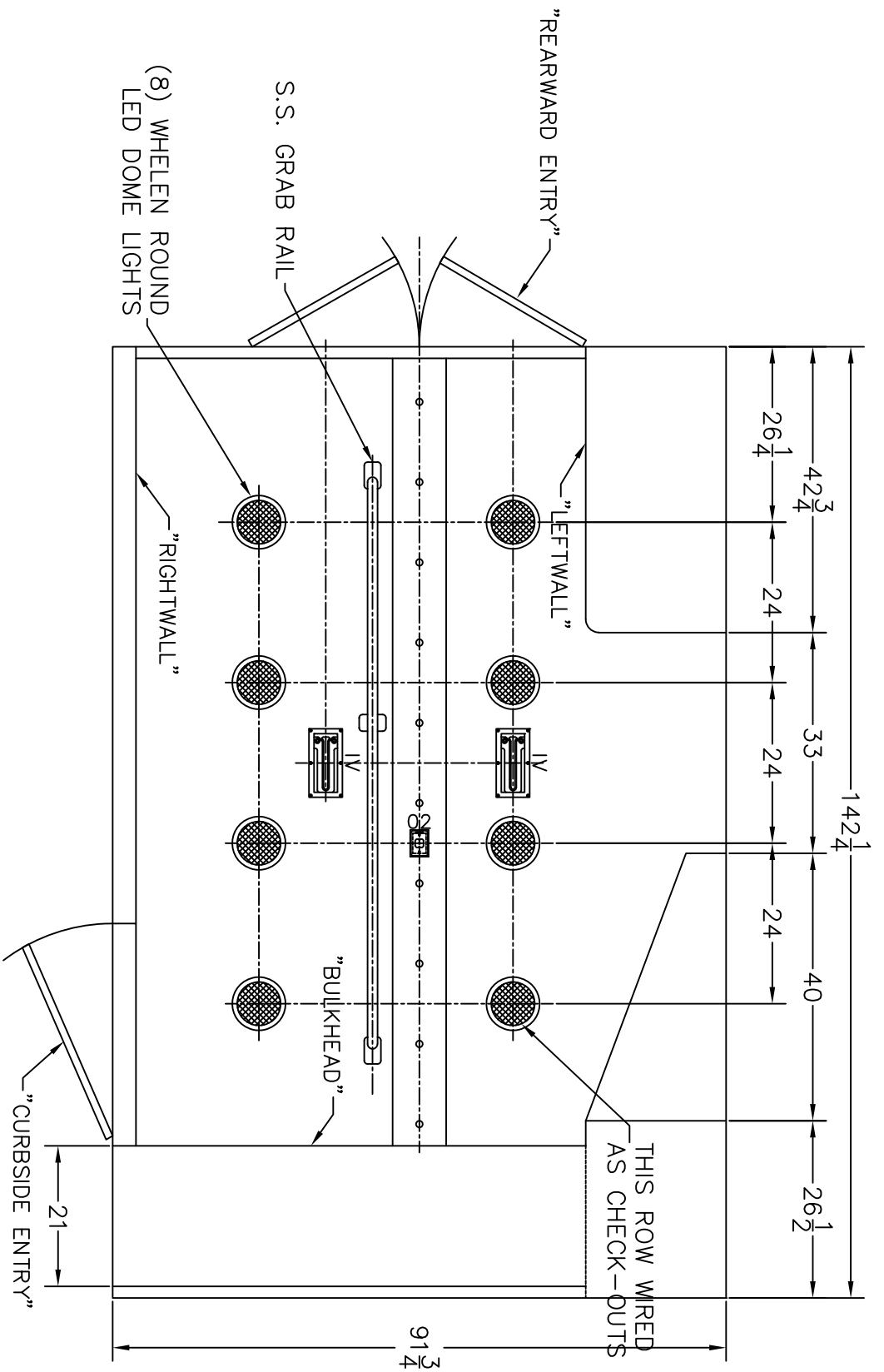


NOTES: THIS DRAWING IS NOT TO SCALE.  
 CHARACTERISTICS AND DIMENSIONS OF FINISHED PRODUCT MAY VARY.  
 NOTES: CABINET DEPTHS REPRESENT DIMENSION FROM  
 INSIDE REAR TO FRONT FACE OF CABINETS, WITHOUT TRIM.  
 ACTUAL WORKING DEPTH WILL BE LESS THAN DIMENSION  
 SHOWN UNLESS OTHERWISE SPECIFIED.

3				
2				
1				
Rev.#	Revision Description	Date	Rev'd	App'vd

Stock/Job#:	Drawing#	Cust. App'v/Date#	Devl'r App'v/Date:
Osage Dealer:	20-1-2148-B-104		
End Customer:			
<b>NOTICE</b>			
This drawing and/or the information hereon is the exclusive property of Osage Industries and shall not be reproduced, used or disclosed without the authorized written consent of Osage Industries.			
Drawn By:	S.A.H.	Date:	06-05-19
Drawing Description:	REARWARD INTERIOR TYPE-I WARRIOR		
 TWINRIDGE ROAD P.O. BOX 718 LINN, MO. 65051		Scale:	NOT TO SCALE
Revision#	1		





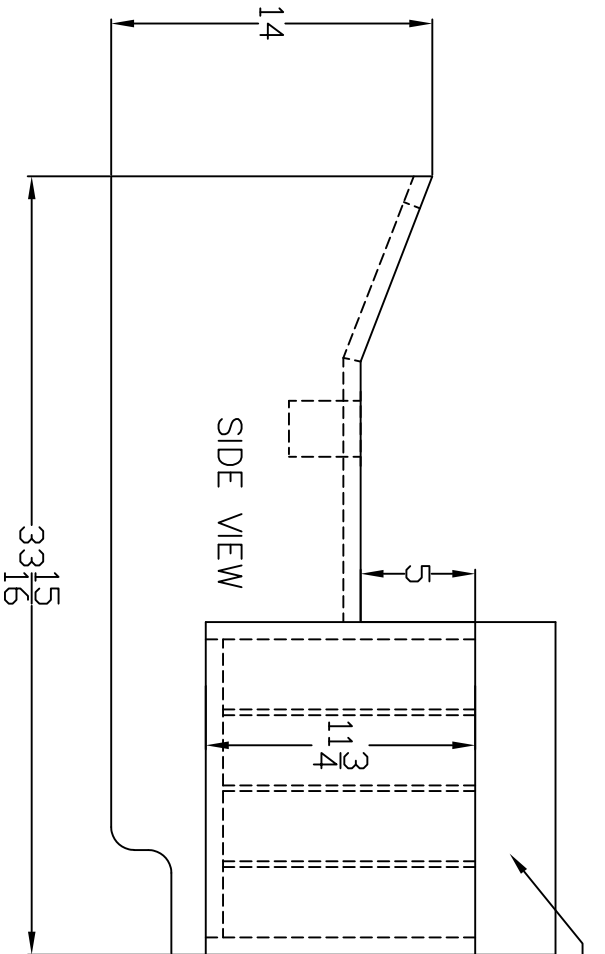
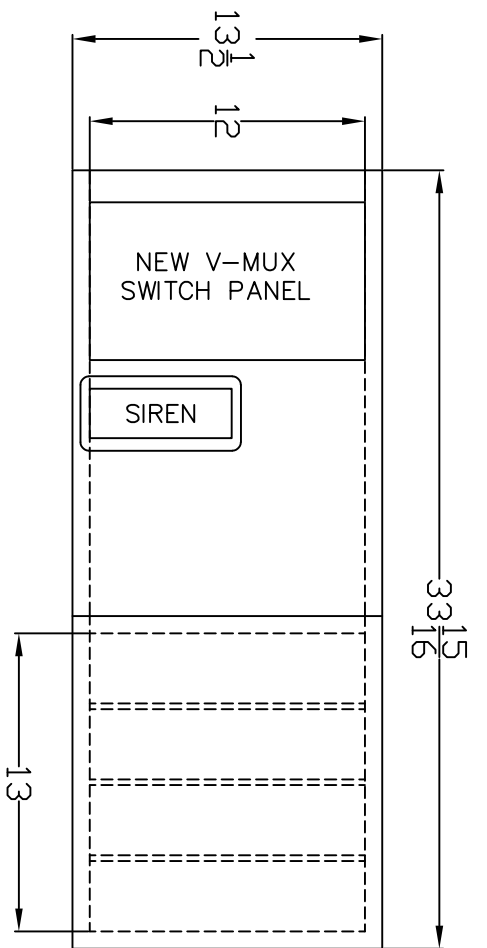
NOTES: THIS DRAWING IS NOT TO SCALE.  
 CHARACTERISTICS AND DIMENSIONS OF FINISHED  
 PRODUCT MAY VARY.

3			
2			
1			
Rev.#	Revision Description	Date	Rev'd App'vd

Stock/Job#:	Drawing#:	Cust. App'v/Date#:	Deal'r App'v/Date:
Osage Dealer:	20-1-2148-B-105		
End Customer:			
<b>NOTICE</b>			
This drawing and/or the information hereon is the exclusive property of Osage Industries and shall not be reproduced, used or disclosed without the authorized written consent of Osage Industries.			
Drawn By:	Date:		
S.A.H.	06-05-19		
Drawing Description:	Scale:		
CEILING LAYOUT TYPE-I WARRIOR	NOT TO SCALE		
	Revision#:		
	1		

**Osage Industries, Inc.**  
 TWINRIDGE ROAD  
 P.O. BOX 718  
 LINN, MO. 65051

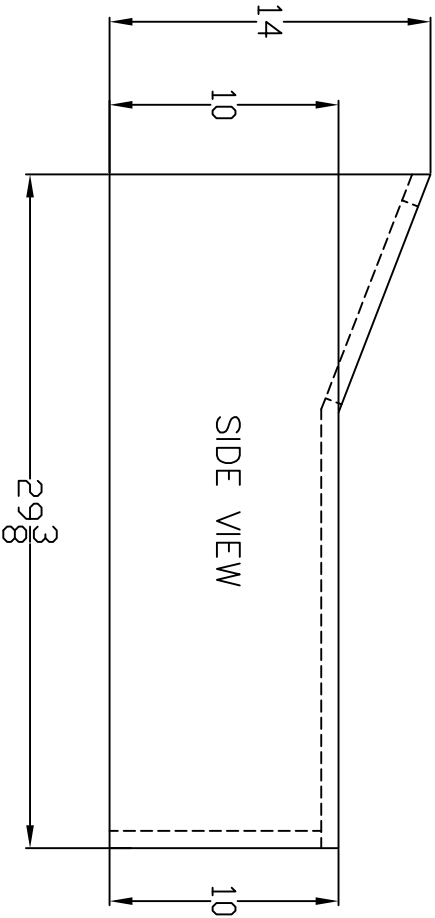
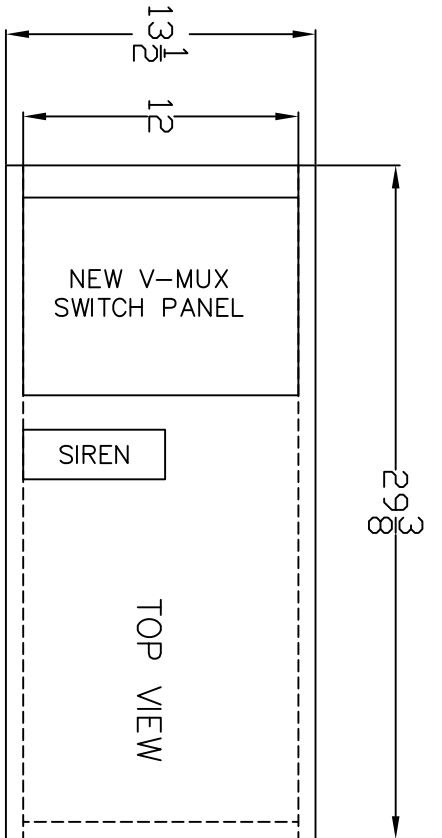




NOTES: THIS DRAWING IS NOT TO SCALE.  
 CHARACTERISTICS AND DIMENSIONS OF  
 FINISHED PRODUCT MAY VARY.

3			
2			
1	PRODUCTION DRAFT		SAH
Rev.#	Revision Description	Date	Rev'd App'vd

Stock/Job#:	Drawing#	Cust. App'v/Date#	Deal'r App'v/Date:
Osage Dealer:	20-1-2148-B-107A		
End Customer:	<b>Osage Industries, Inc.</b> TWINRIDGE ROAD P.O. BOX 718 LINN, MO. 65051		
<b>NOTICE</b> This drawing and/or the information hereon is the exclusive property of Osage Industries and shall not be reproduced, used or disclosed without the authorized written consent of Osage Industries.			
Drawn By: S.A.H.		Date: 06-05-19	
Drawing Description: OSAGE RADIO CONSOLE TYPE I, PASS-THROUGH		Scale: NOT TO SCALE	
			Revision#
			1



NOTES: THIS DRAWING IS NOT TO SCALE.  
 CHARACTERISTICS AND DIMENSIONS OF  
 FINISHED PRODUCT MAY VARY.

3			
2			
1	PRODUCTION DRAFT		SAH
Rev.#	Revision Description	Date	Rev'd App'vd

Stock/Job#:	Drawing#:	Cust. App'v/Date#	Deal'r App'v/Date:
Osage Dealer:	20-1-2148-B-107B		
End Customer:	TWINRIDGE ROAD		
<b>Osage Industries, Inc.</b>			
P.O. BOX 718 LINN, MO. 63051			
<b>NOTICE</b>			
This drawing and/or the information hereon is the exclusive property of Osage Industries and shall not be reproduced, used or disclosed without the authorized written consent of Osage Industries.			
Drawn By:	S.A.H.	Date:	06-05-19
Drawing Description:	OSAGE RADIO CONSOLE TYPE I, CRAWL-THROUGH		Scale: NOT TO SCALE
			Revision#
			1