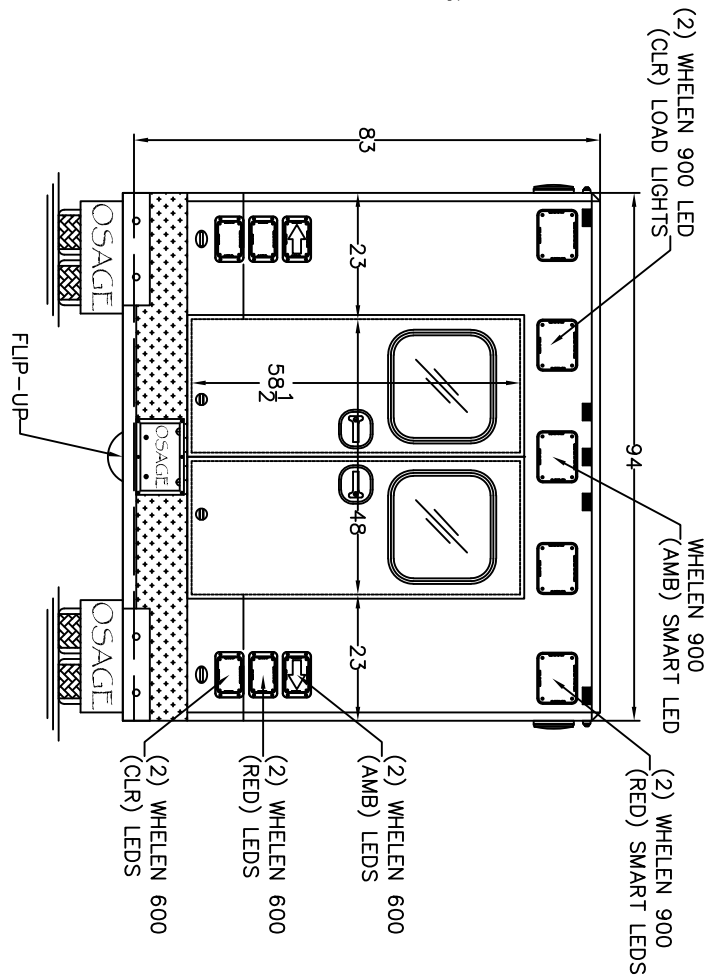
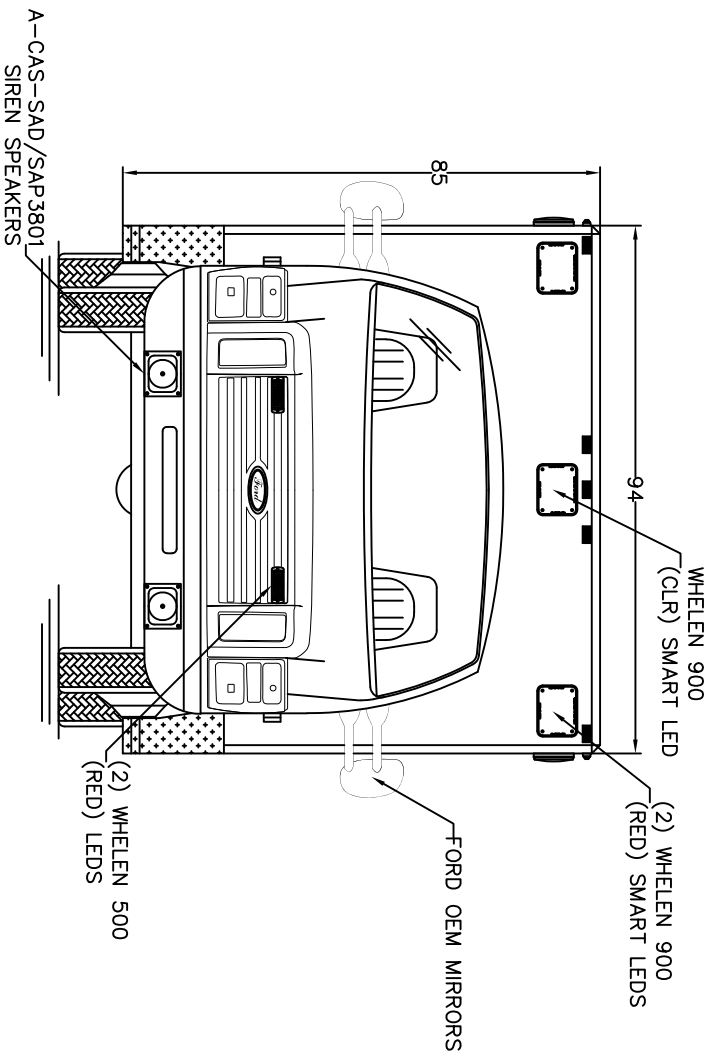


- NOTES:
- 1.) COMPARTMENT DIMENSIONS REFLECT OPENING CLEARANCE.
 - 2.) APPROXIMATE COMPARTMENT DEPTH=19"DEEP.
 - 3.) MODULE DIMENSIONS=148"L x 94"W x 85"H.
 - 4.) INTERIOR MODULE HEAD ROOM=68"H.
 - 5.) ALL 9x7 LIGHTS TO BE WHELEN 900 SERIES LIGHTS.
 - 6.) DOUBLE STAINLESS THRESHOLDS.
 - 7.) STYROFOAM INSULATION, WALLS & CEILING.

NOTES: THIS DRAWING IS NOT TO SCALE. CHARACTERISTICS AND DIMENSIONS OF FINISHED PRODUCT MAY VARY.

Rev.#	Revision Description	Date	Rev'd	App'v'd	Stock/Job#:	Drawing#:	Cust. App'v/Date#	Deal'r App'v/Date:
2					Osage Dealer:	20-3-2148-W-100		
1					End Customer:	TWINRIDGE ROAD		
						Osage Industries, Inc.		
						P.O. BOX 718		
						LINN, MO. 65051		
3					NOTICE			
					This drawing and/or the information hereon is the exclusive property of Osage Industries and shall not be reproduced, used or disclosed without the authorized written consent of Osage Industries.			
					Drawn By:	S.A.H.	Date:	06-05-19
					Drawing Description:	EXTERIOR LAYOUT		
						TYPE-III WARRIOR, ESERIES		
					Scale:	NOT TO SCALE		
					Revision#	1		



NOTES: THIS DRAWING IS NOT TO SCALE.
CHARACTERISTICS AND DIMENSIONS OF FINISHED PRODUCT MAY VARY.

NOTES:

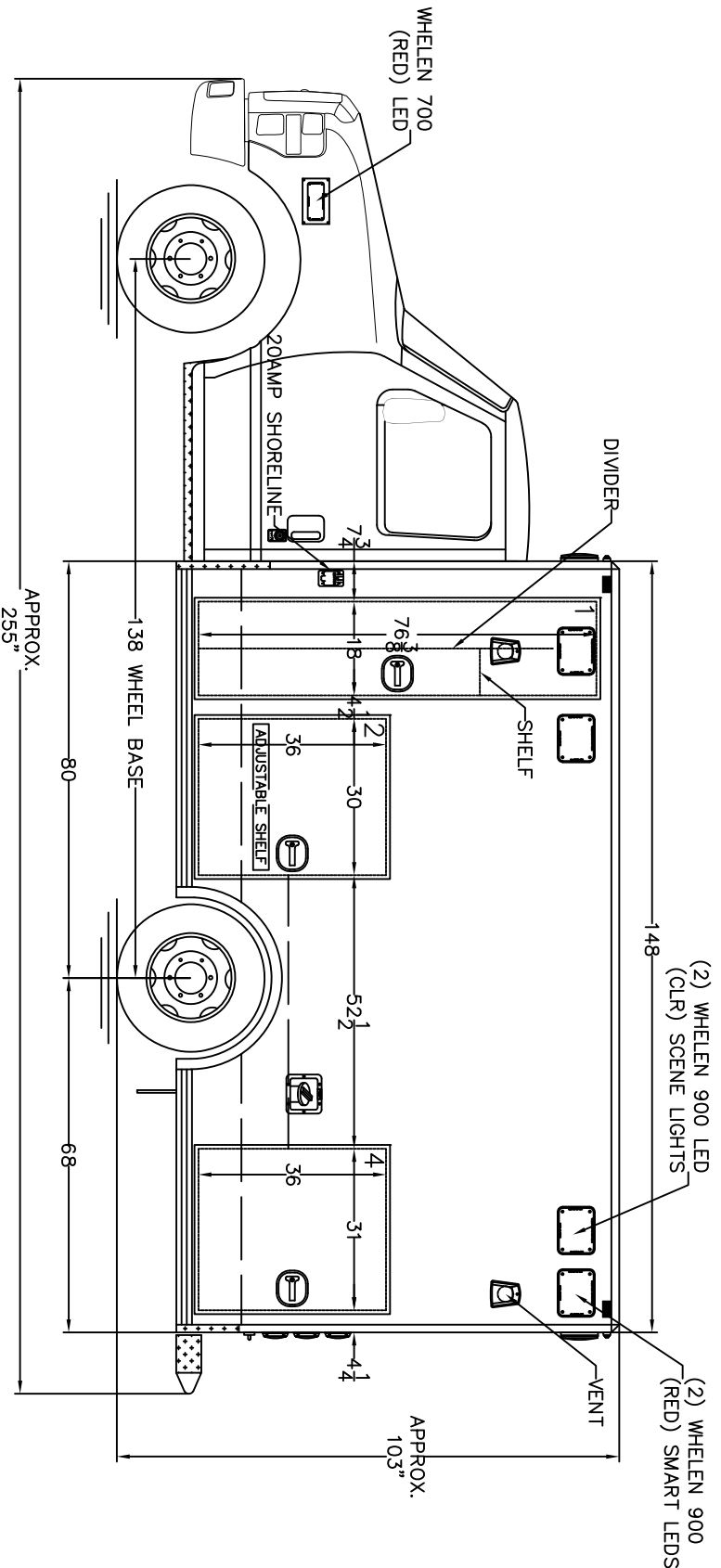
- 1.) COMPARTMENT DIMENSIONS REFLECT OPENING CLEARANCE.
- 2.) APPROXIMATE COMPARTMENT DEPTH=19"DEEP.
- 3.) MODULE DIMENSIONS=148"L x 94"W x 85"H.
- 4.) INTERIOR MODULE HEAD ROOM=68"H.
- 5.) ALL 9x7 LIGHTS TO BE WHELEN 900 SERIES LIGHTS.
- 6.) DOUBLE STAINLESS THRESHOLDS.
- 7.) STYROFOAM INSULATION, WALLS & CEILING.

3			
2			
1			
Rev.#	Revision Description	Date	Rev'd App'vd

Stock/Job#:	Drawing#	Cust. App'v/Date#	Deal'r App'v/Date:
Osage Dealer:	20-3-2148-W-100		
End Customer:	TWINRIDGE ROAD		
	Osage Industries, Inc.		
	P.O. BOX 718		
	LINN, MO. 65051		
Drawn By:	Date:	Scale:	
S.A.H.	06-05-19	NOT TO SCALE	
Drawing Description:	EXTERIOR LAYOUT, FRONT/REAR		Revision#
	TYPE-III WARRIOR, ESERIES		1

NOTICE

This drawing and/or the information hereon is the exclusive property of Osage Industries and shall not be reproduced, used or disclosed without the authorized written consent of Osage Industries.

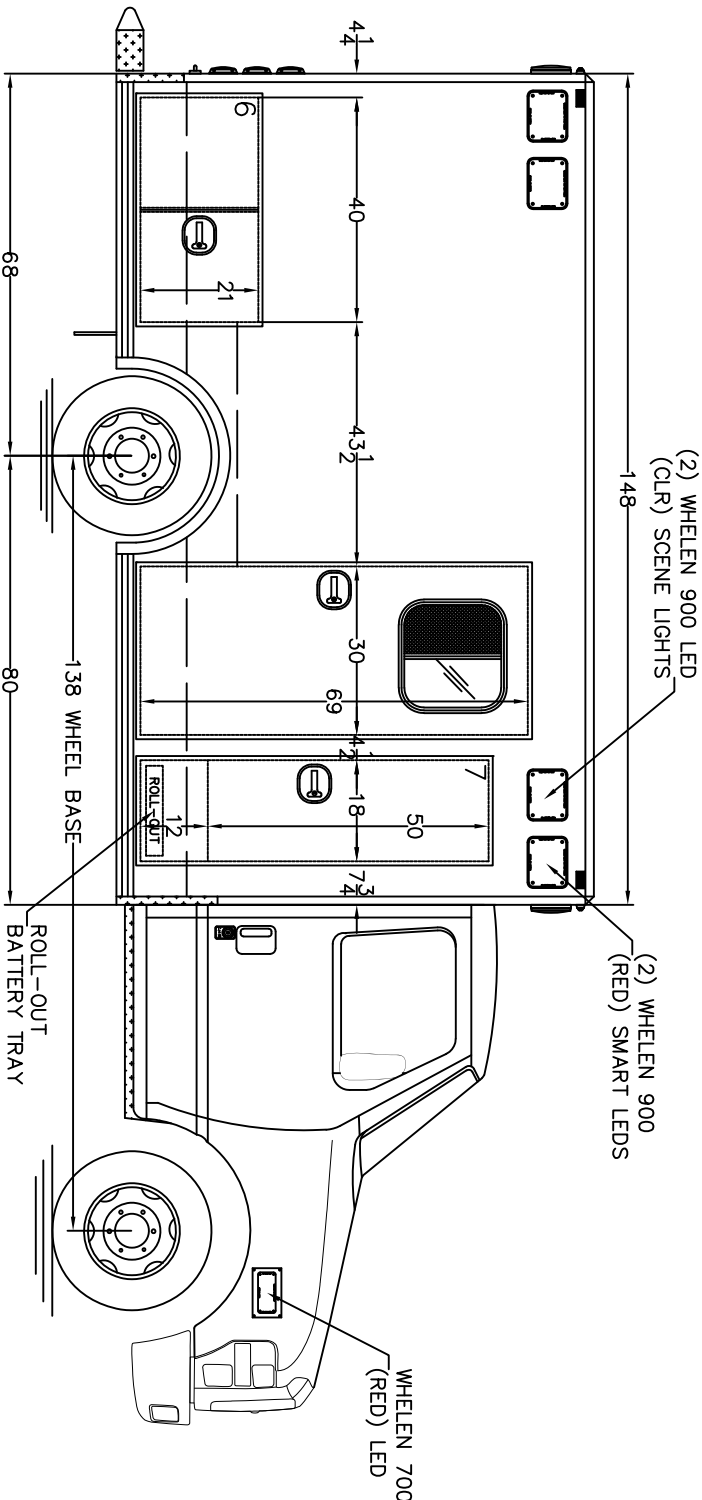


NOTES: THIS DRAWING IS NOT TO SCALE.
 CHARACTERISTICS AND DIMENSIONS OF FINISHED PRODUCT MAY VARY.

- NOTES:
- 1.) COMPARTMENT DIMENSIONS REFLECT OPENING CLEARANCE.
 - 2.) APPROXIMATE COMPARTMENT DEPTH=19"DEEP.
 - 3.) MODULE DIMENSIONS=148"L x 94"W x 85"H.
 - 4.) INTERIOR MODULE HEAD ROOM=68"H.
 - 5.) ALL 9x7 LIGHTS TO BE WHEEL 900 SERIES LIGHTS.
 - 6.) DOUBLE STAINLESS THRESHOLDS.
 - 7.) STYROFOAM INSULATION, WALLS & CEILING.

3			
2			
1			
Rev.#	Revision Description	Date	Rev'd App'vd

Stock/Job#:	Drawing#	Cust. App'v/Date#	Deal'r App'v/Date:
Osage Dealer:	20-3-2148-W-100		
End Customer:	<p style="text-align: center;">Osage Industries, Inc. TWIN RIDGE ROAD P.O. BOX 718 LINN, MO. 65051</p>		
NOTICE			
<p>This drawing and/or the information hereon is the exclusive property of Osage Industries and shall not be reproduced, used or disclosed without the authorized written consent of Osage Industries.</p>			
Drawn By:	S.A.H.	Date:	06-05-19
Drawing Description:	<p style="text-align: center;">EXTERIOR LAYOUT, STREETSIDE TYPE-III WARRIOR, ESERIES</p>		
Scale:	NOT TO SCALE		
Revision#	1		

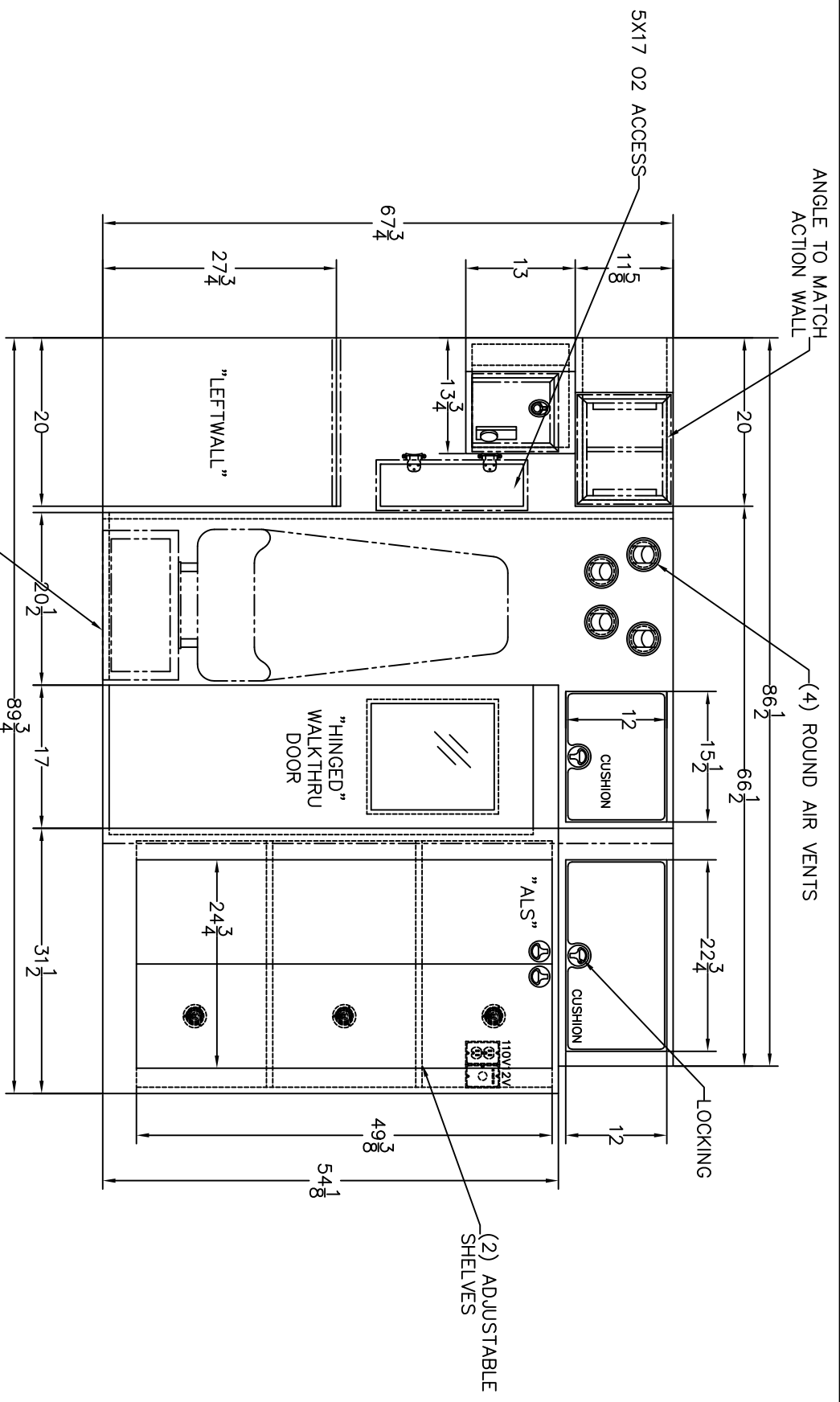


NOTES: THIS DRAWING IS NOT TO SCALE.
 CHARACTERISTICS AND DIMENSIONS OF FINISHED PRODUCT MAY VARY.

- NOTES:
- 1.) COMPARTMENT DIMENSIONS REFLECT OPENING CLEARANCE.
 - 2.) APPROXIMATE COMPARTMENT DEPTH=19"DEEP.
 - 3.) MODULE DIMENSIONS=148"L x 94"W x 85"H.
 - 4.) INTERIOR MODULE HEAD ROOM=68"H.
 - 5.) ALL 9x7 LIGHTS TO BE WHELEEN 900 SERIES LIGHTS.
 - 6.) DOUBLE STAINLESS THRESHOLDS.
 - 7.) STYROFOAM INSULATION, WALLS & CEILING.

3			
2			
1			
Rev.#	Revision Description	Date	Rev'd App'vd

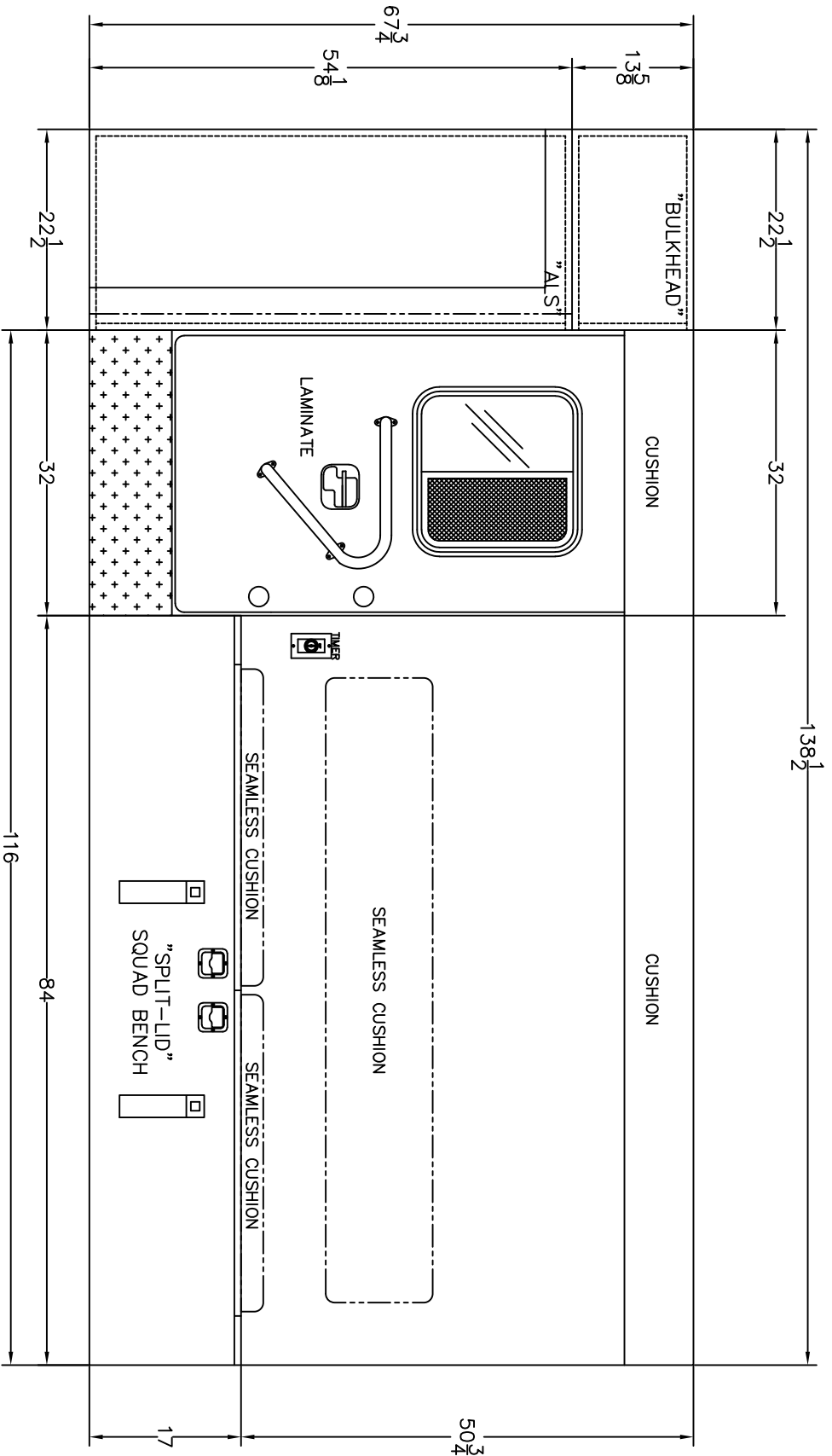
Stock/Job#:	Drawing#	Cust. App'v/Date#	Deal'r App'v/Date:
Osage Dealer:	20-3-2148-W-100		
End Customer:	<p style="text-align: center;">Osage Industries, Inc. TWINRIDGE ROAD P.O. BOX 718 LINN, MO. 65051</p>		
NOTICE			
<p>This drawing and/or the information hereon is the exclusive property of Osage Industries and shall not be reproduced, used or disclosed without the authorized written consent of Osage Industries.</p>			
Drawn By:	S.A.H.	Date:	06-05-19
Drawing Description:	<p style="text-align: center;">EXTERIOR LAYOUT, CURBSIDE TYPE-III WARRIOR, ESERIES</p>		
Scale:	NOT TO SCALE		
Revision#	1		



NOTES: THIS DRAWING IS NOT TO SCALE.
 CHARACTERISTICS AND DIMENSIONS OF FINISHED PRODUCT MAY VARY.
 NOTES: CABINET DEPTHS REPRESENT DIMENSION FROM INSIDE REAR TO FRONT FACE OF CABINETS, WITHOUT TRIM.
 ACTUAL WORKING DEPTH WILL BE LESS THAN DIMENSION SHOWN UNLESS OTHERWISE SPECIFIED.

3			
2			
1			
Rev.#	Revision Description	Date	Rev'd App'vd

Stock/Job#:	Drawing#	Cust. App'v/Date#	Deal'r App'v/Date:
Osage Dealer:	20-3-2148-W-102		
End Customer:	<p>Osage Industries, Inc. TWINRIDGE ROAD P.O. BOX 718 LINN, MO. 65051</p>		
NOTICE			
<p>This drawing and/or the information hereon is the exclusive property of Osage Industries and shall not be reproduced, used or disclosed without the authorized written consent of Osage Industries.</p>			
Drawn By:	S.A.H.	Date:	06-05-19
Drawing Description:	FORWARD INTERIOR		Scale: NOT TO SCALE
	TYPE-III WARRIOR, ESERIES		Revision#
			1

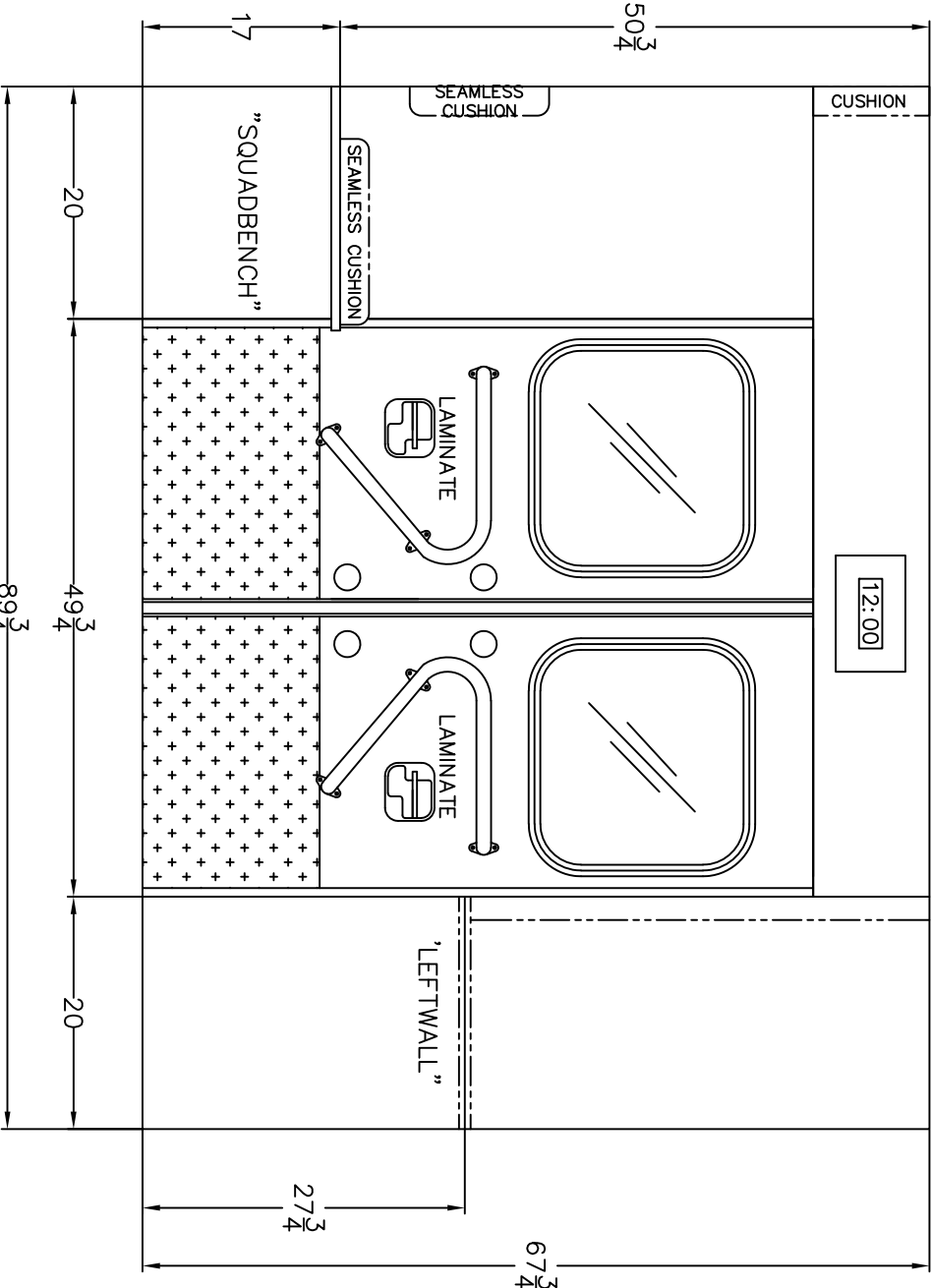


NOTES: THIS DRAWING IS NOT TO SCALE.
 CHARACTERISTICS AND DIMENSIONS OF FINISHED PRODUCT MAY VARY.
 NOTES: CABINET DEPTHS REPRESENT DIMENSION FROM INSIDE REAR TO FRONT FACE OF CABINETS, WITHOUT TRIM. ACTUAL WORKING DEPTH WILL BE LESS THAN DIMENSION SHOWN UNLESS OTHERWISE SPECIFIED.

3			
2			
1			
Rev.#	Revision Description	Date	Rev'd App'vd

Stock/Job#:	Drawing#	Cust. App'v/Date#	Deal'r App'v/Date:
Osage Dealer:	20-3-2148-W-103		
End Customer:			
NOTICE			
This drawing and/or the information hereon is the exclusive property of Osage Industries and shall not be reproduced, used or disclosed without the authorized written consent of Osage Industries.			
Drawn By:	S.A.H.	Date:	06-05-19
Drawing Description:	CURBSIDE INTERIOR TYPE-III WARRIOR, ESERIES		
Scale:	NOT TO SCALE		
Revision#	1		

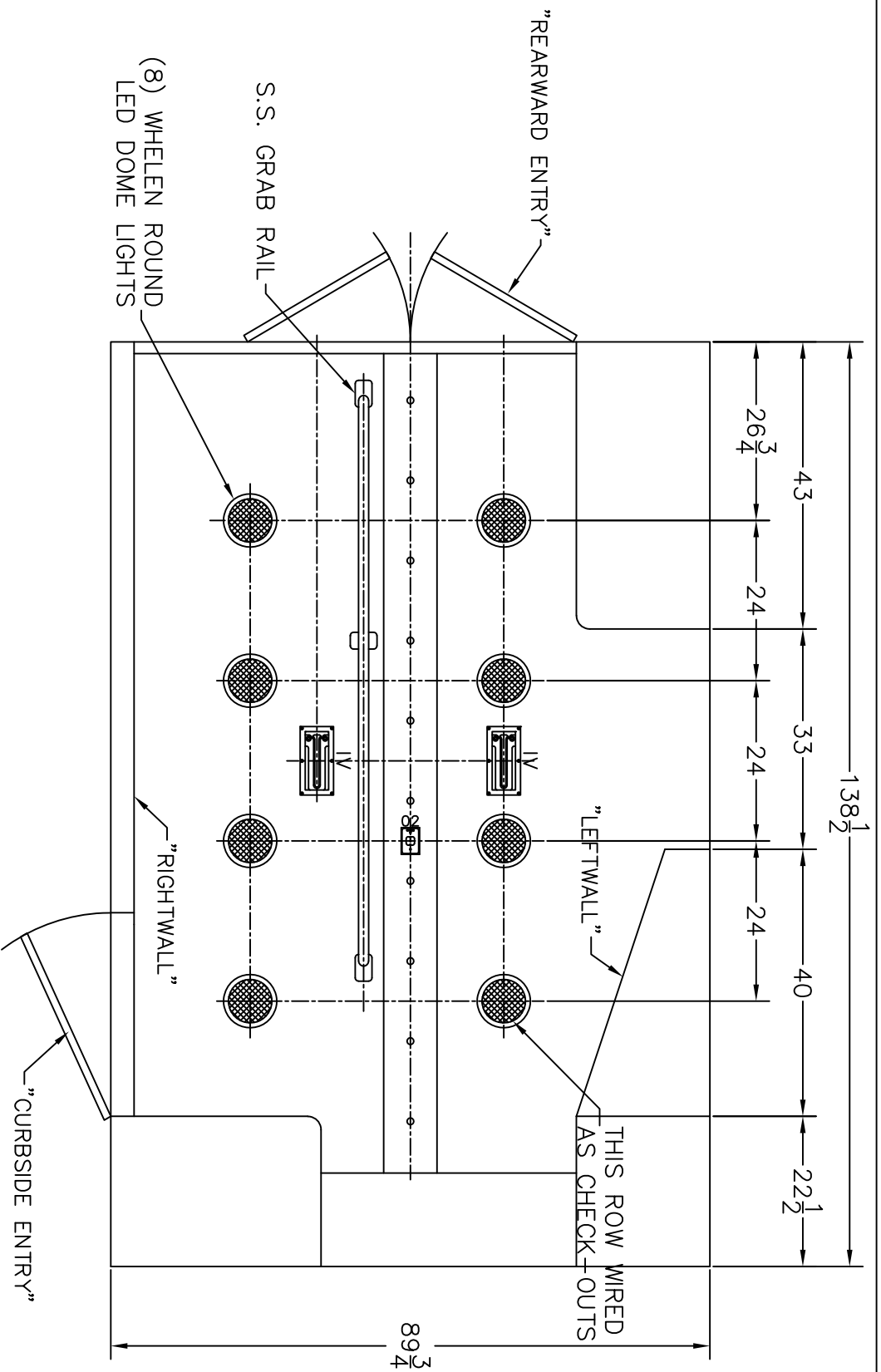
Osage Industries, Inc.
 TWINRIDGE ROAD
 P.O. BOX 718
 LINN, MO. 65051



NOTES: THIS DRAWING IS NOT TO SCALE.
 CHARACTERISTICS AND DIMENSIONS OF FINISHED PRODUCT MAY VARY.
 NOTES: CABINET DEPTHS REPRESENT DIMENSION FROM
 INSIDE REAR TO FRONT FACE OF CABINETS, WITHOUT TRIM.
 ACTUAL WORKING DEPTH WILL BE LESS THAN DIMENSION
 SHOWN UNLESS OTHERWISE SPECIFIED.

3				
2				
1				
Rev.#	Revision Description	Date	Rev'd	App'vd

Stock/Job#:	Drawing#:	Cust. App'v/Date#	Deal'r App'v/Date:
Osage Dealer:	20-3-2148-W-104		
End Customer:	TWINRIDGE ROAD		
	Osage Industries, Inc.		
	P.O. BOX 718		
	LINN, MO. 65051		
NOTICE		Drawn By: S.A.H.	Date: 06-05-19
This drawing and/or the information hereon is the exclusive property of Osage Industries and shall not be reproduced, used or disclosed without the authorized written consent of Osage Industries.		Drawing Description:	Scale: NOT TO SCALE
REARWARD INTERIOR			
TYPE-III WARRIOR, ESERIES			
			Revision#
			1



NOTES: THIS DRAWING IS NOT TO SCALE.
 CHARACTERISTICS AND DIMENSIONS OF FINISHED
 PRODUCT MAY VARY.

3			
2			
1			
Rev.#	Revision Description	Date	Rev'd App'vd

Stock/Job#:	Drawing#	Cust. App'v/Date#	Deal'r App'v/Date:
Osage Dealer:	20-3-2148-W-105		
End Customer:			
NOTICE			
This drawing and/or the information hereon is the exclusive property of Osage Industries and shall not be reproduced, used or disclosed without the authorized written consent of Osage Industries.			
Drawn By:	Date:		
S.A.H.	06-05-19		
Drawing Description:	Scale:		
CEILING LAYOUT	NOT TO SCALE		
TYPE-III WARRIOR, ESERIES	Revision#		
			1

