

NOTES: THIS DRAWING IS NOT TO SCALE CHARACTERISTICS AND DIMENSIONS OF FINISHED PRODUCT MAY VARY.

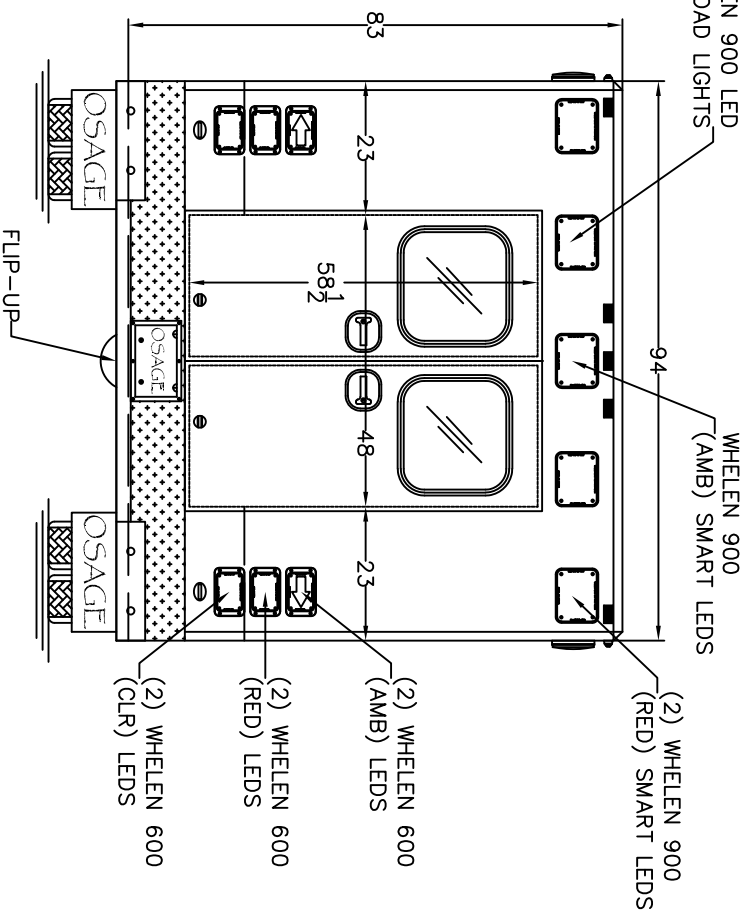
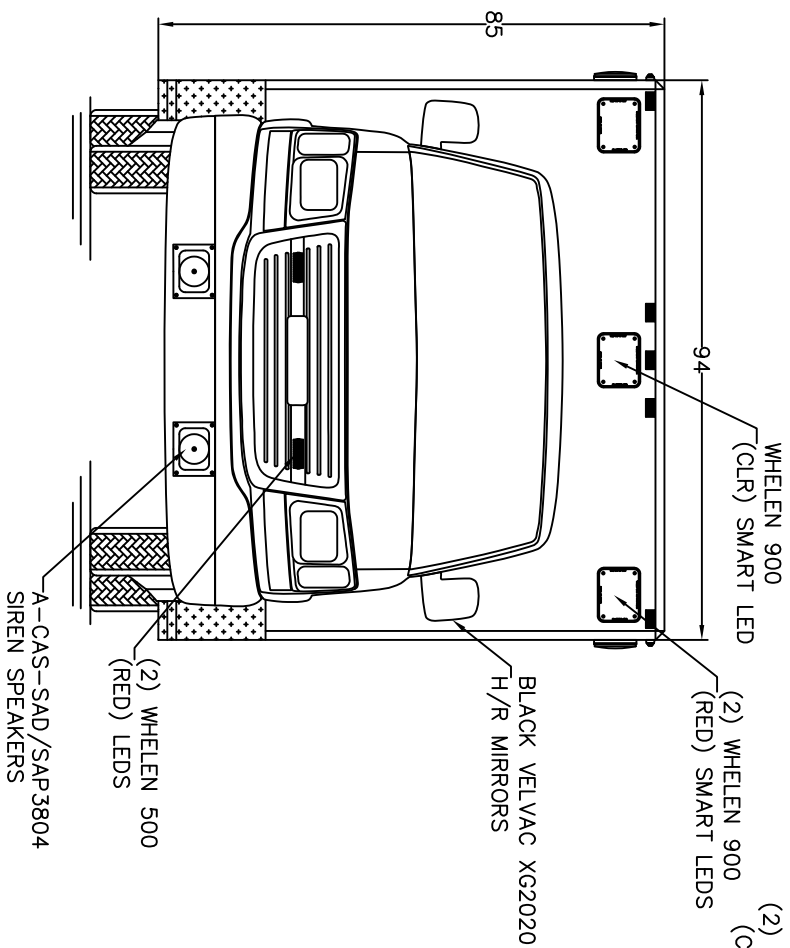
NOTES:

- 1) COMPARTMENT DIMENSIONS REFLECT OPENING CLEARANCE.
- 2) APPROXIMATE COMPARTMENT DEPTH=19"DEEP.
- 3) MODULE DIMENSIONS=148"L x 94"W x 85"H.
- 4) INTERIOR MODULE HEAD ROOM=68"H.
- 5) ALL 9x7 LIGHTS TO BE WHEEL 900 SERIES LIGHTS.
- 6) DOUBLE STAINLESS THRESHOLDS.
- 7) STYROFOAM INSULATION WALLS & CEILING.

Rev.#	Revision Description	Date	Rev'd App'vd
3			
2			
1			

Stock/Job#:	Drawing#:	Cust. App'v/Date#:	Deal'r App'v/Date:
Osage Dealer:	20-3-2148-W-100		
End Customer:	TWINRIDGE ROAD		
	P.O. BOX 718		
	LINN, MO. 65051		
DRAWING DESCRIPTION:		DATE:	SCALE:
EXTERIOR LAYOUT		06-05-19	NOT TO SCALE
TYPE-III WARRIOR, G3500			
Rev.#	Revision#		
1	1		

Osage Industries, Inc.
 P.O. BOX 718
 LINN, MO. 65051



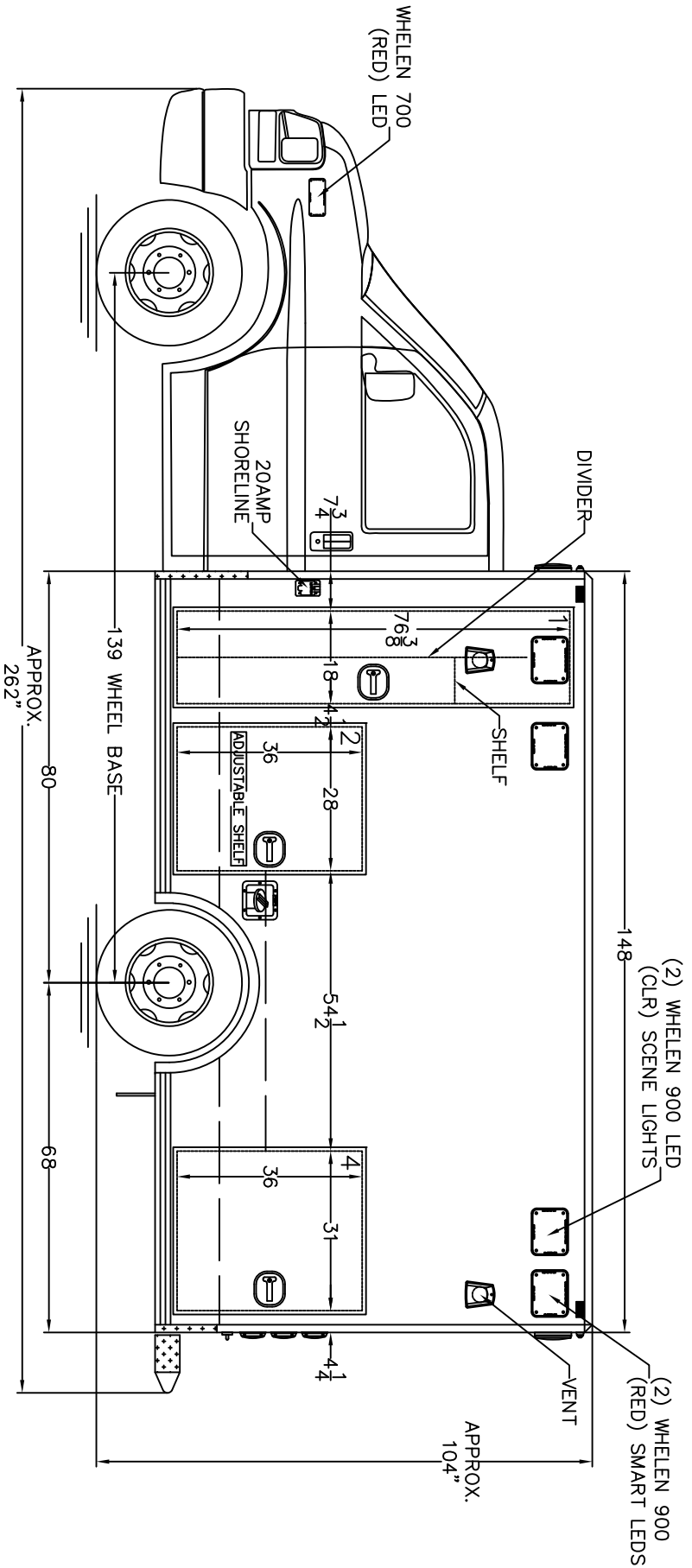
NOTES: THIS DRAWING IS NOT TO SCALE.
CHARACTERISTICS AND DIMENSIONS OF FINISHED PRODUCT MAY VARY.

NOTES:

- 1.) COMPARTMENT DIMENSIONS REFLECT OPENING CLEARANCE.
- 2.) APPROXIMATE COMPARTMENT DEPTH=19"DEEP.
- 3.) MODULE DIMENSIONS=148"L x 94"W x 85"H.
- 4.) INTERIOR MODULE HEAD ROOM=68"H.
- 5.) ALL 9x7 LIGHTS TO BE WHELEN 900 SERIES LIGHTS.
- 6.) DOUBLE STAINLESS THRESHOLDS.
- 7.) STYROFOAM INSULATION, WALLS & CEILING.

3			
2			
1			
Rev.#	Revision Description	Date	Rev'd App'vd

Stock/Job#:	Drawing#	Cust. App'v/Date#	Deal'r App'v/Date:
Osage Dealer:	20-3-2148-W-100A		
End Customer:	TWIN RIDGE ROAD		
	P.O. BOX 718		
	LINN, MO. 65051		
NOTICE			
This drawing and/or the information hereon is the exclusive property of Osage Industries and shall not be reproduced, used or disclosed without the authorized written consent of Osage Industries.			
Drawn By:	S.A.H.	Date:	06-05-19
Drawing Description:	EXTERIOR LAYOUT, FRONT/REAR TYPE-III WARRIOR, G3500		
Scale:	NOT TO SCALE		
Revision#	1		



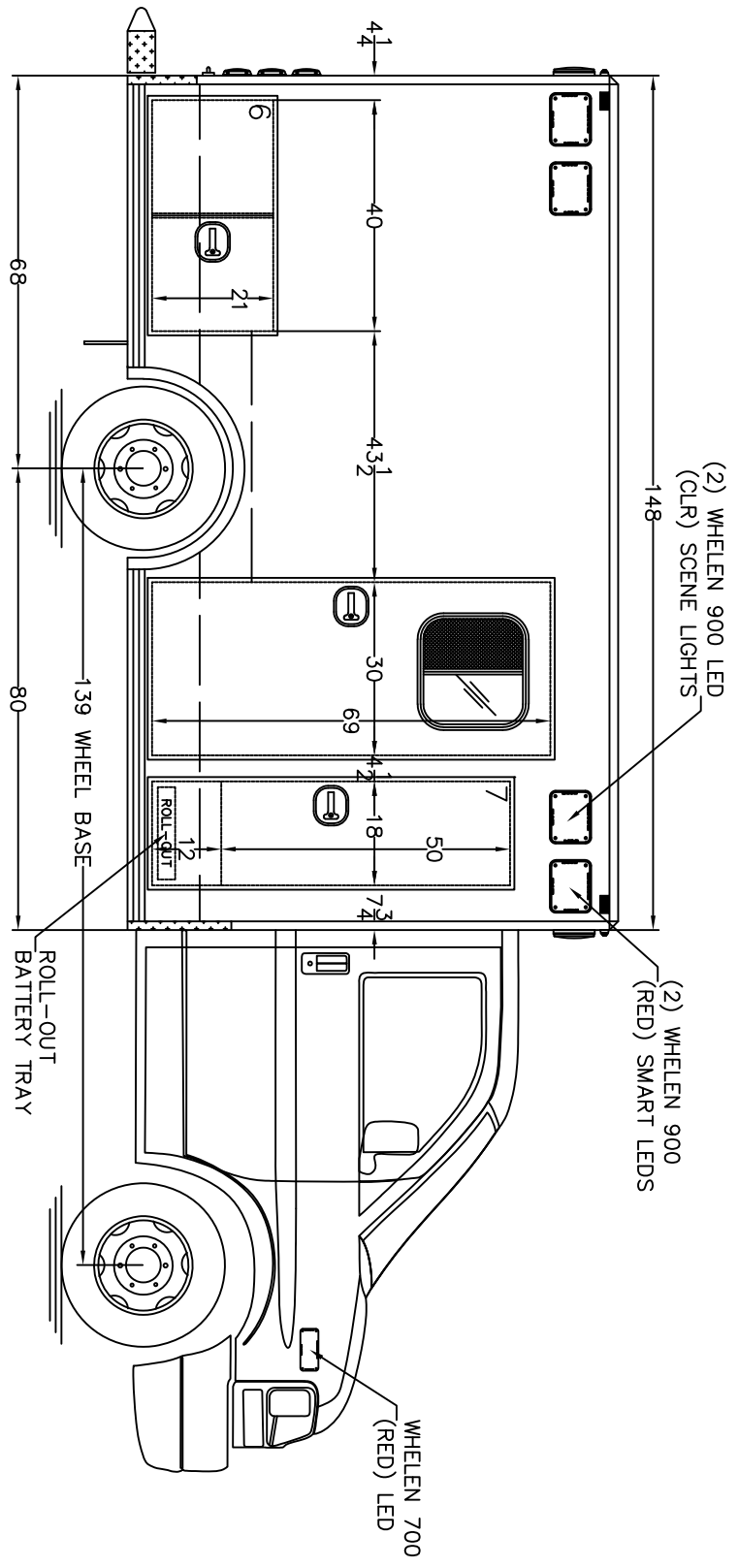
NOTES: THIS DRAWING IS NOT TO SCALE.
 CHARACTERISTICS AND DIMENSIONS OF FINISHED PRODUCT MAY VARY.

NOTES:

- 1.) COMPARTMENT DIMENSIONS REFLECT OPENING CLEARANCE.
- 2.) APPROXIMATE COMPARTMENT DEPTH=19"DEEP.
- 3.) MODULE DIMENSIONS=148"L x 94"W x 85"H.
- 4.) INTERIOR MODULE HEAD ROOM=68"H.
- 5.) ALL 9x7 LIGHTS TO BE WHELEN 900 SERIES LIGHTS.
- 6.) DOUBLE STAINLESS THRESHOLDS.
- 7.) STYROFOAM INSULATION, WALLS & CEILING.

3			
2			
1			
Rev.#	Revision Description	Date	Rev'd App'vd

Stock/Job#:	Drawing#	Cust. App'v/Date#	Deal'r App'v/Date:
Osage Dealer:	20-3-2148-W-100B		
End Customer:	TWIN RIDGE ROAD		
	Osage Industries, Inc.		
	P.O. BOX 718		
	LINN, MO. 65051		
NOTICE			
This drawing and/or the information hereon is the exclusive property of Osage Industries and shall not be reproduced, used or disclosed without the authorized written consent of Osage Industries.			
Drawn By:	S.A.H.	Date:	06-05-19
Drawing Description:	EXTERIOR LAYOUT, STREETSIDE TYPE-III WARRIOR, G3500		
Scale:	NOT TO SCALE		
Revision#	1		



NOTES: THIS DRAWING IS NOT TO SCALE.
 CHARACTERISTICS AND DIMENSIONS OF FINISHED PRODUCT MAY VARY.

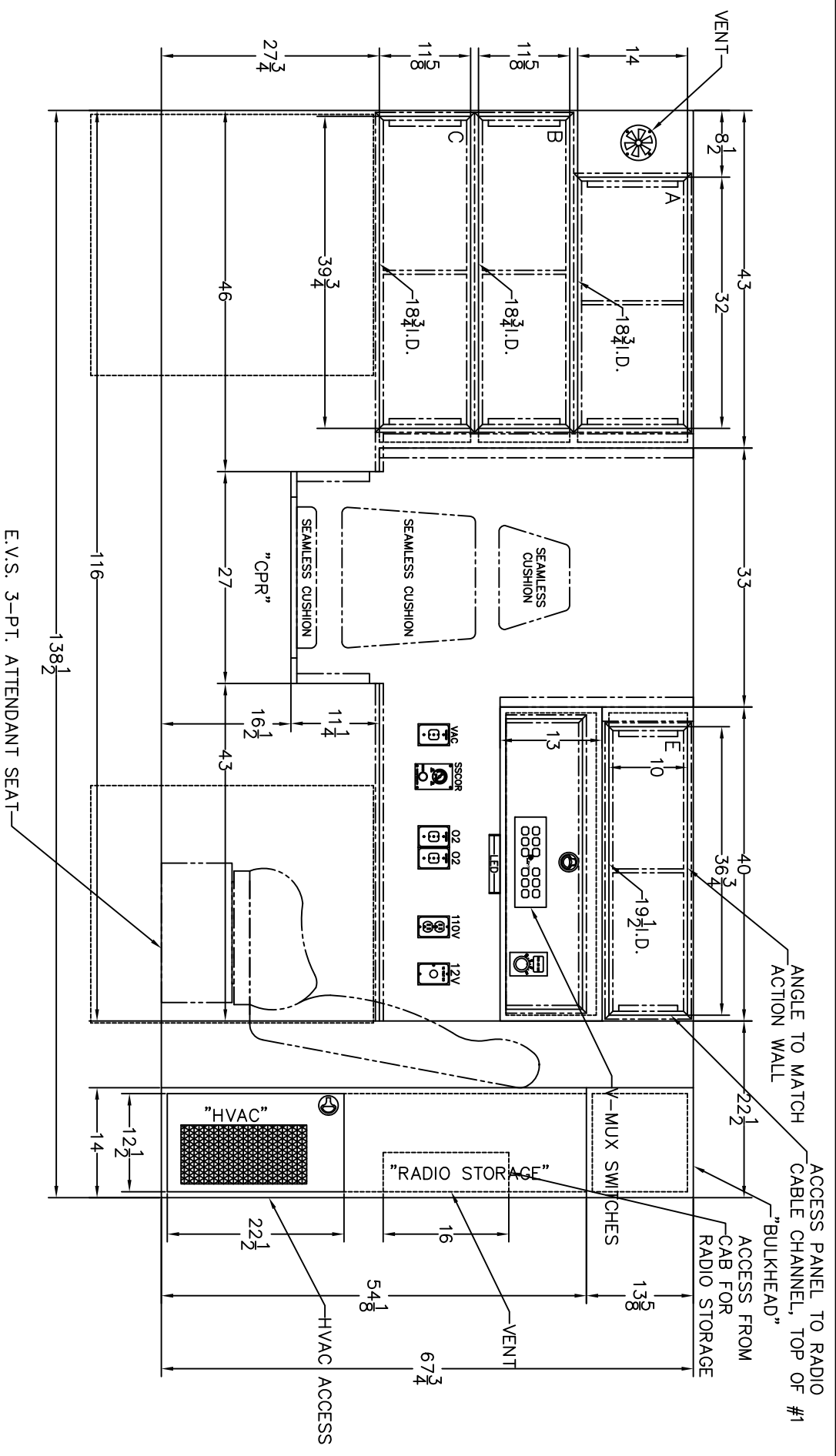
- NOTES:
- 1.) COMPARTMENT DIMENSIONS REFLECT OPENING CLEARANCE.
 - 2.) APPROXIMATE COMPARTMENT DEPTH=19"DEEP.
 - 3.) MODULE DIMENSIONS=148"L x 94"W x 85"H.
 - 4.) INTERIOR MODULE HEAD ROOM=68"H.
 - 5.) ALL 9x7 LIGHTS TO BE WHELEN 900 SERIES LIGHTS.
 - 6.) DOUBLE STAINLESS THRESHOLDS.
 - 7.) STYROFOAM INSULATION, WALLS & CEILING.

3				
2				
1				
Rev.#	Revision Description	Date	Rev'd	App'vd

Stock/Job#:	Drawing#	Cust. App'v/Date#	Deal'r App'v/Date:
Osage Dealer:	20-3-2148-W-100C		
End Customer:	TWINRIDGE ROAD		
	Osage Industries, Inc.		
	F.O. BOX 718		
	LINN, MO. 65051		
Drawn By:	S.A.H.	Date:	06-05-19
Scale:	NOT TO SCALE		
Drawing Description:	EXTERIOR LAYOUT, CURBSIDE		
	TYPE-III WARRIOR, G3500		
Revision#	1		

NOTICE

This drawing and/or the information hereon is the exclusive property of Osage Industries and shall not be reproduced, used or disclosed without the authorized written consent of Osage Industries.

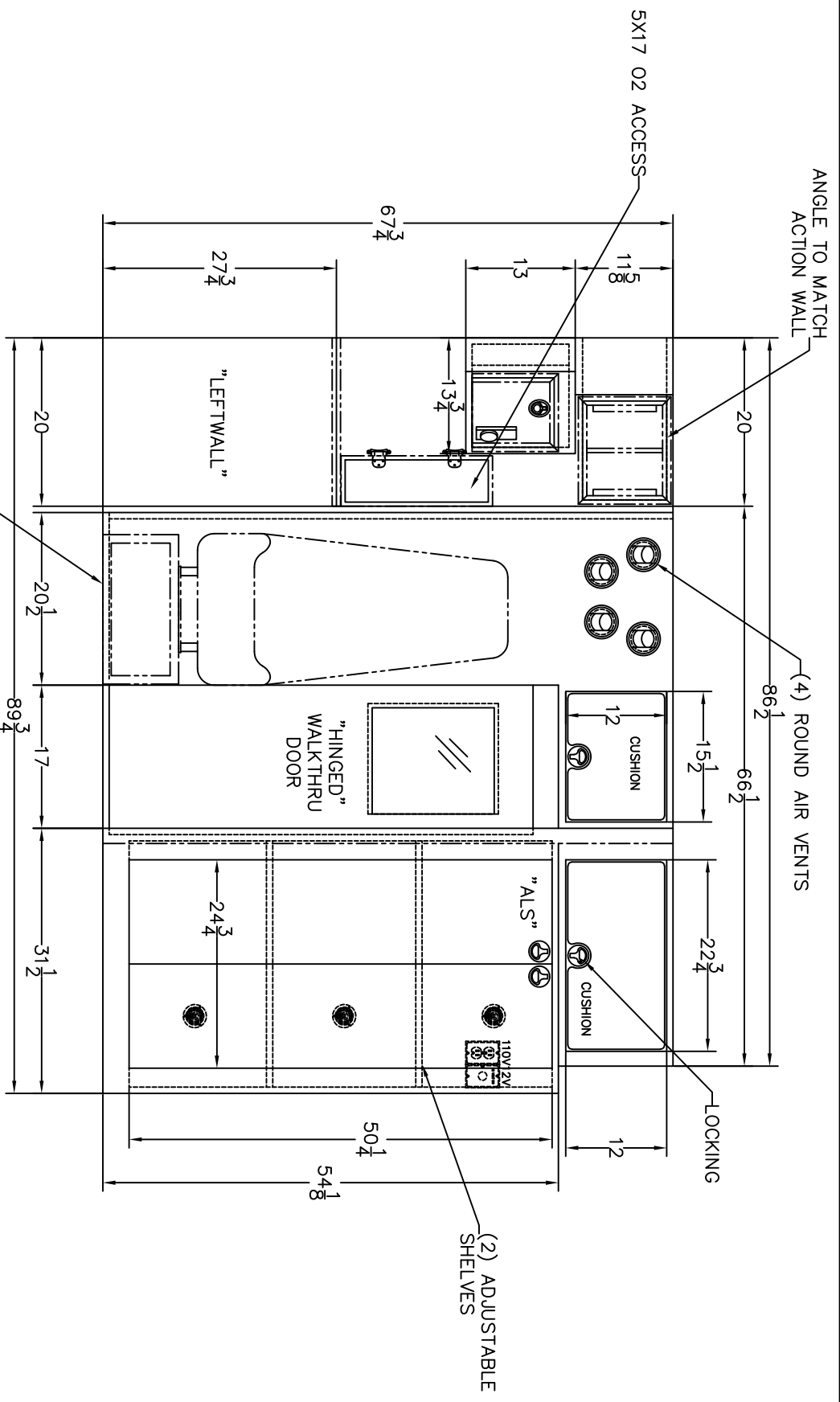


NOTES: THIS DRAWING IS NOT TO SCALE.
 CHARACTERISTICS AND DIMENSIONS OF FINISHED PRODUCT MAY VARY.

NOTES: CABINET DEPTHS REPRESENT DIMENSION FROM INSIDE REAR TO FRONT FACE OF CABINETS, WITHOUT TRIM. ACTUAL WORKING DEPTH WILL BE LESS THAN DIMENSION SHOWN UNLESS OTHERWISE SPECIFIED.

Rev.#	Revision Description	Date	Rev'd	App'vd
3				
2				
1				
Rev.#	Revision Description	Date	Rev'd	App'vd

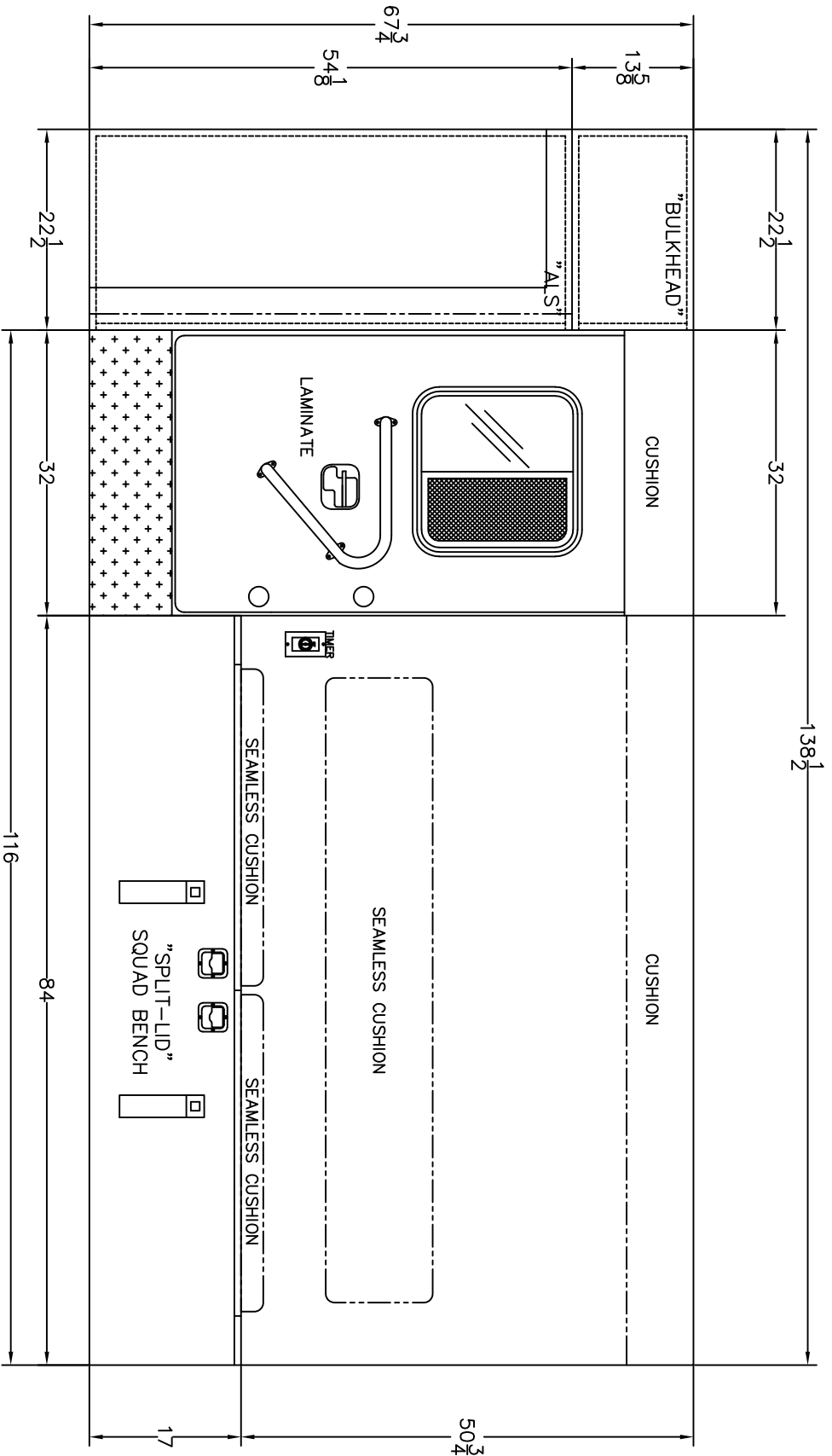
Stock/Job#:	Drawing#:	Cust. App'v/Date#:	Deal'r App'v/Date:
Osage Dealer:	20-3-2148-W-101		
End Customer:	TWINRIDGE ROAD		
	Osage Industries, Inc.		
	P.O. BOX 718		
	LINN, MO. 65051		
NOTICE			
This drawing and/or the information hereon is the exclusive property of Osage Industries and shall not be reproduced, used or disclosed without the authorized written consent of Osage Industries.			
Drawn By:	Date:	Scale:	
S.A.H.	06-05-19	NOT TO SCALE	
Drawing Description:			
STREETSIDE INTERIOR			
TYPE-III WARRIOR, G3500			
Revision#			
1			



NOTES: THIS DRAWING IS NOT TO SCALE.
 CHARACTERISTICS AND DIMENSIONS OF FINISHED PRODUCT MAY VARY.
 NOTES: CABINET DEPTHS REPRESENT DIMENSION FROM INSIDE REAR TO FRONT FACE OF CABINETS, WITHOUT TRIM.
 ACTUAL WORKING DEPTH WILL BE LESS THAN DIMENSION SHOWN UNLESS OTHERWISE SPECIFIED.

3			
2			
1			
Rev.#	Revision Description	Date	Rev'd App'vd

Stock/Job#:	Drawing#:	Cust. App'v/Date#:	Deal'r App'v/Date:
Osage Dealer:	20-3-2148-W-102		
End Customer:	TWINRIDGE ROAD		
	Osage Industries, Inc.		
	P.O. BOX 718		
	LINN, MO. 65051		
NOTICE		Drawn By: S.A.H.	Date: 06-05-19
This drawing and/or the information hereon is the exclusive property of Osage Industries and shall not be reproduced, used or disclosed without the authorized written consent of Osage Industries.		Drawing Description: FORWARD INTERIOR TYPE-III WARRIOR, G3500	Scale: NOT TO SCALE
			Revision# 1

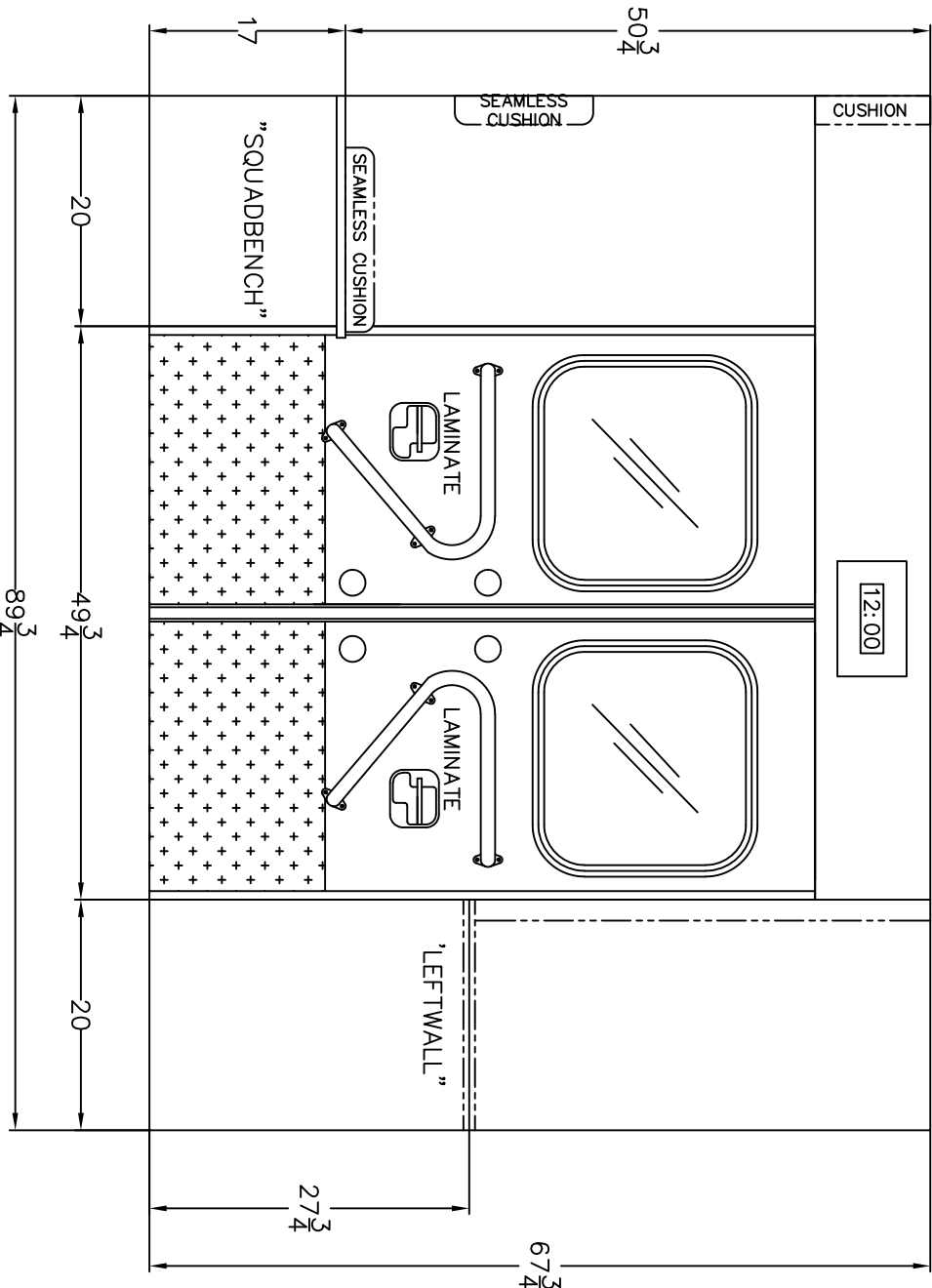


NOTES: THIS DRAWING IS NOT TO SCALE.
 CHARACTERISTICS AND DIMENSIONS OF FINISHED PRODUCT MAY VARY.
 NOTES: CABINET DEPTHS REPRESENT DIMENSION FROM INSIDE
 REAR TO FRONT FACE OF CABINETS, WITHOUT TRIM. ACTUAL
 WORKING DEPTH WILL BE LESS THAN DIMENSION SHOWN UNLESS
 OTHERWISE SPECIFIED.

3			
2			
1			
Rev.#	Revision Description	Date	Rev'd App'vd

Stock/Job#:	Drawing#	Cust. App'v/Date#	Deal'r App'v/Date:
Osage Dealer:	20-3-2148-W-103		
End Customer:			
NOTICE			
This drawing and/or the information hereon is the exclusive property of Osage Industries and shall not be reproduced, used or disclosed without the authorized written consent of Osage Industries.			
Drawn By:	S.A.H.	Date:	06-05-19
Drawing Description:	CURBSIDE INTERIOR TYPE-III WARRIOR, G3500		
Scale:	NOT TO SCALE		
Revision#	1		

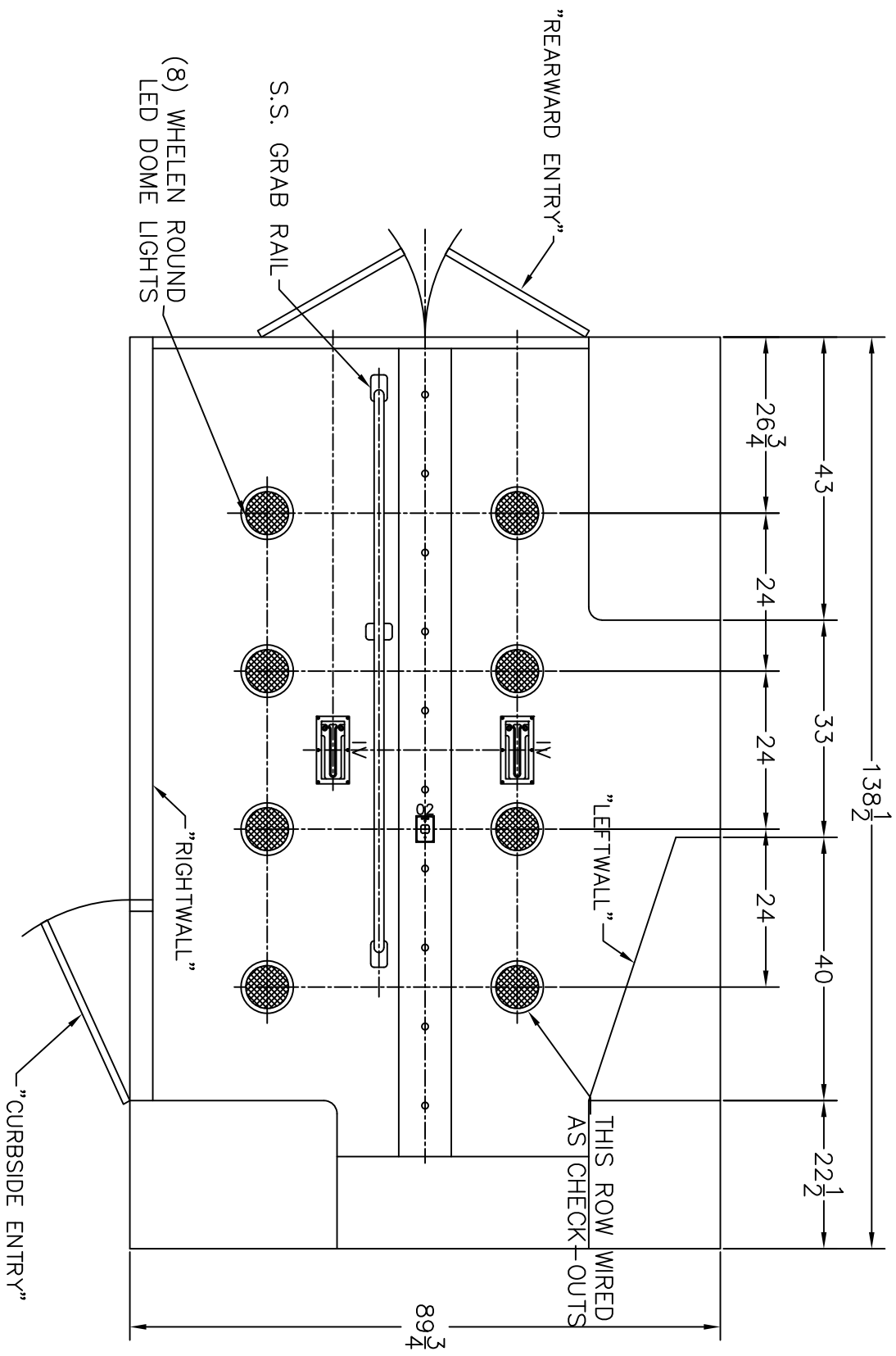
Osage Industries, Inc.
 TWINRIDGE ROAD
 P.O. BOX 718
 LINN, MO. 65051



NOTES: THIS DRAWING IS NOT TO SCALE.
 CHARACTERISTICS AND DIMENSIONS OF FINISHED PRODUCT MAY VARY.
 NOTES: CABINET DEPTHS REPRESENT DIMENSION FROM
 INSIDE REAR TO FRONT FACE OF CABINETS, WITHOUT TRIM.
 ACTUAL WORKING DEPTH WILL BE LESS THAN DIMENSION
 SHOWN UNLESS OTHERWISE SPECIFIED.

3				
2				
1				
Rev.#	Revision Description	Date	Rev'd	App'vd

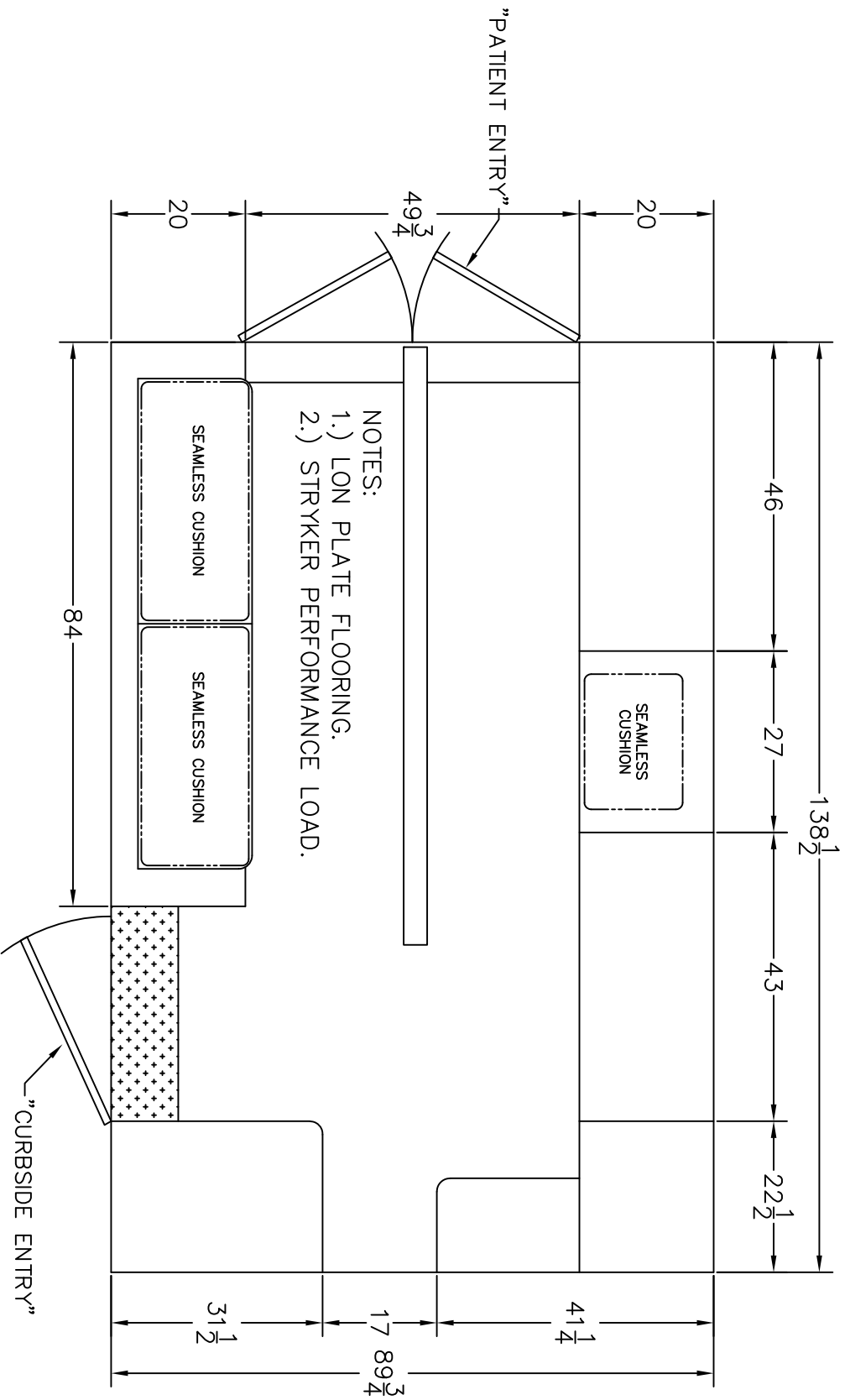
Stock/Job#:	Drawing#:	Cust. App'v/Date#	Deal'r App'v/Date:
Osage Dealer:	20-3-2148-W-104		
End Customer:			
NOTICE			
This drawing and/or the information hereon is the exclusive property of Osage Industries and shall not be reproduced, used or disclosed without the authorized written consent of Osage Industries.			
Drawn By:	S.A.H.	Date:	06-05-19
Drawing Description:	REARWARD INTERIOR TYPE-III WARRIOR, G3500		
Osage Industries, Inc.		LINN, MO. 63051	
TWINRIDGE ROAD P.O. BOX 718		Scale: NOT TO SCALE	
			Revision#
			1



NOTES: THIS DRAWING IS NOT TO SCALE.
 CHARACTERISTICS AND DIMENSIONS OF FINISHED
 PRODUCT MAY VARY.

3			
2			
1			
Rev.#	Revision Description	Date	Rev'd App'vd

Stock/Job#:	Drawing#:	Cust. App'v/Date#:	Deal'r App'v/Date:
Osage Dealer:	20-3-2148-W-105		
End Customer:			
NOTICE			
This drawing and/or the information hereon is the exclusive property of Osage Industries and shall not be reproduced, used or disclosed without the authorized written consent of Osage Industries.			
Drawn By:	Date:	Scale:	
S.A.H.	06-05-19	NOT TO SCALE	
Drawing Description:	TWINRIDGE ROAD		Revision#:
CEILING LAYOUT	P.O. BOX 718		1
TYPE-III WARRIOR, G3500	LINN, MO. 63051		



NOTES: THIS DRAWING IS NOT TO SCALE.
 CHARACTERISTICS AND DIMENSIONS OF FINISHED
 PRODUCT MAY VARY.

3	Revision Description	Date	Rev'd	App'vd
2				
1				
Rev.#	Revision Description	Date	Rev'd	App'vd

Stock/Job#:	Drawing#	Cust. App'v/Date#	Deal'r App'v/Date:
Osage Dealer:	20-3-2148-W-106		
End Customer:			
<p>NOTICE</p> <p>This drawing and/or the information hereon is the exclusive property of Osage Industries and shall not be reproduced, used or disclosed without the authorized written consent of Osage Industries.</p>			
Drawn By:	Date:		
S.A.H.	06-05-19		
Drawing Description:	Scale: NOT TO SCALE		
FLOOR LAYOUT	Revision#		
TYPE-III WARRIOR, G3500	1		

Osage Industries, Inc.
 TWINRIDGE ROAD
 P.O. BOX 718
 LINN, MO. 65051