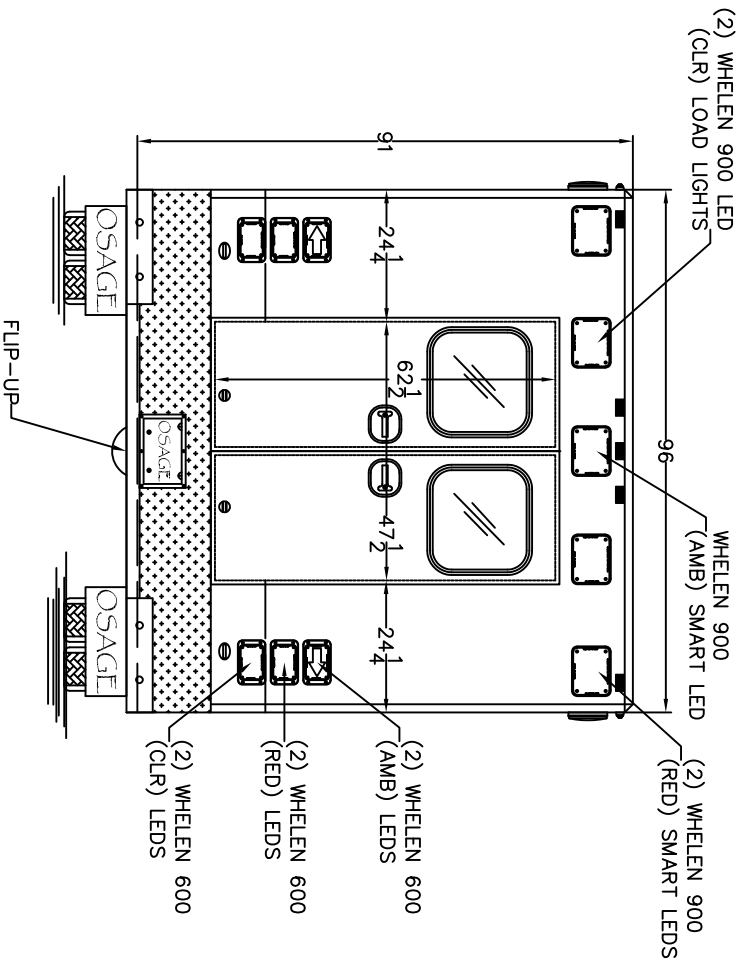
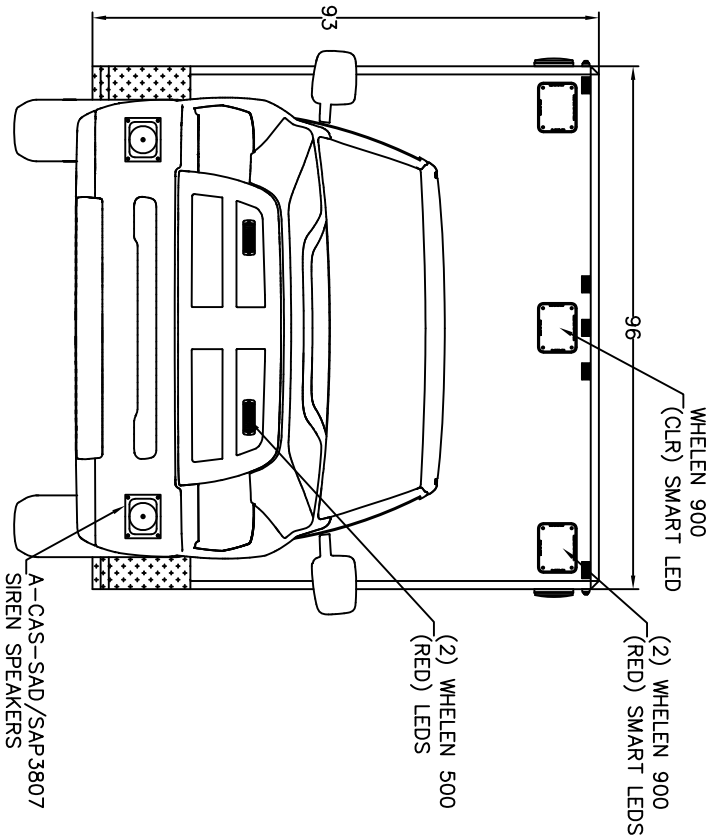


NOTES: THIS DRAWING IS NOT TO SCALE. CHARACTERISTICS AND DIMENSIONS OF FINISHED PRODUCT MAY VARY.

NOTES:
 1.) COMPARTMENT DIMENSIONS REFLECT OPENING CLEARANCE.
 2.) APPROXIMATE COMPARTMENT DEPTH=20 1/2" DEEP.
 3.) MODULE DIMENSIONS=168"L x 96"W x 93"H
 4.) INTERIOR MODULE HEAD ROOM=72"H
 5.) ALL 9x7 LIGHTS TO BE WHELEEN 900 SERIES LIGHTS.
 6.) DOUBLE STAINLESS THRESHOLDS.
 7.) STYROFOAM INSULATION, WALLS & CEILING.

Rev.#	Revision Description	Date	Rev'd App'vd
1			
2			
3			
<p>Stock/Job#: 20-1-2168-SW-100</p> <p>Osage Dealer:</p> <p>End Customer:</p> <p>NOTICE</p> <p>This drawing and/or the information hereon is the exclusive property of Osage Industries and shall not be reproduced, used or disclosed without the authorized written consent of Osage Industries.</p> <p>Drawing# 20-1-2168-SW-100</p> <p>Cust. App'v/Date#</p> <p>Dealer App'v/Date:</p> <p>Drawn By: S.A.H.</p> <p>Date: 06-05-19</p> <p>Scale: NOT TO SCALE</p> <p>Osage Industries, Inc.</p> <p>TWIN RIDGE ROAD</p> <p>P.O. BOX 718</p> <p>LINN, MO. 65051</p> <p>EXTERIOR LAYOUT</p> <p>TYPE-1 SUPER-WARRIOR</p>			
1			

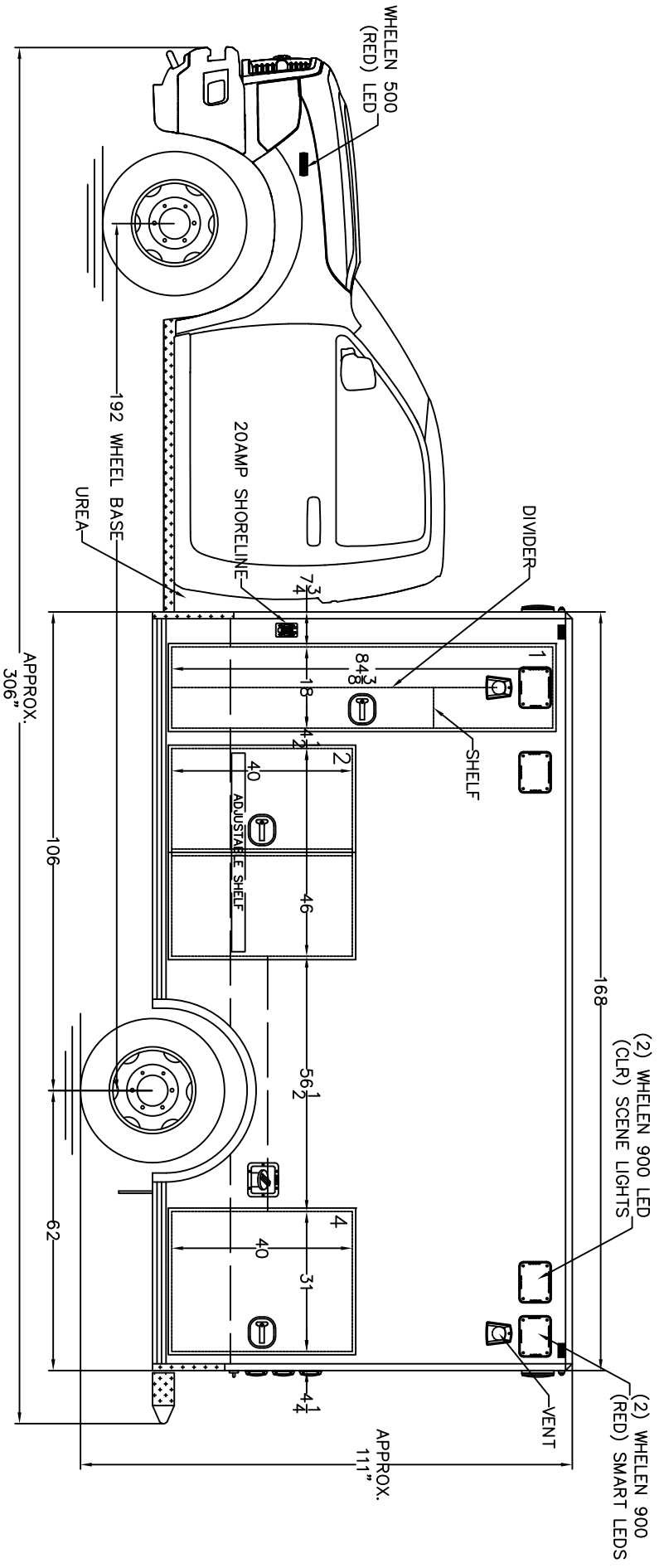


NOTES: THIS DRAWING IS NOT TO SCALE.
CHARACTERISTICS AND DIMENSIONS OF FINISHED PRODUCT MAY VARY.

- NOTES:
- 1.) COMPARTMENT DIMENSIONS REFLECT OPENING CLEARANCE.
 - 2.) APPROXIMATE COMPARTMENT DEPTH=20 1/2"DEEP.
 - 3.) MODULE DIMENSIONS=168" L x 96"W x 93"H
 - 4.) INTERIOR MODULE HEAD ROOM=72"H.
 - 5.) ALL 9x7 LIGHTS TO BE WHELEN 900 SERIES LIGHTS.
 - 6.) DOUBLE STAINLESS THRESHOLDS.
 - 7.) STYROFOAM INSULATION, WALLS & CEILING.

3			
2			
1			
Rev.#	Revision Description	Date	Rev'd App'vd

Stock/Job#:	Drawing#:	Cust. App'v/Date#	Deal'r App'v/Date:
Osage Dealer:	20-1-2168-SW-100A		
End Customer:	TWIN RIDGE ROAD		
	Osage Industries, Inc.		
	P.O. BOX 718		
	LINN, MO. 65051		
NOTICE			
This drawing and/or the information hereon is the exclusive property of Osage Industries and shall not be reproduced, used or disclosed without the authorized written consent of Osage Industries.			
Drawn By:	S.A.H.	Date:	06-05-19
Drawing Description:	EXTERIOR LAYOUT, FRONT/REAR TYPE-1 SUPER-WARRIOR		
Scale:	NOT TO SCALE		
Revision#	1		

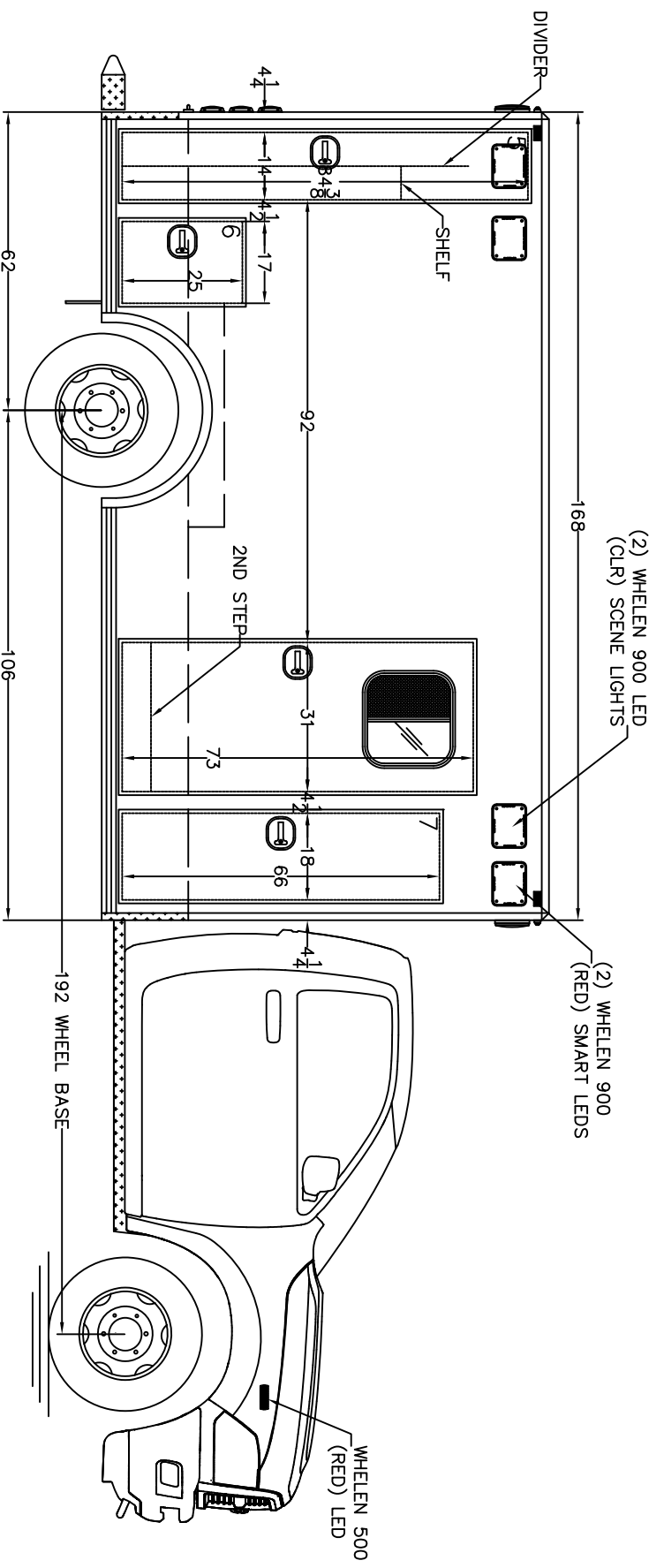


NOTES: THIS DRAWING IS NOT TO SCALE.
 CHARACTERISTICS AND DIMENSIONS OF FINISHED PRODUCT MAY VARY.

- NOTES:
- 1.) COMPARTMENT DIMENSIONS REFLECT OPENING CLEARANCE.
 - 2.) APPROXIMATE COMPARTMENT DEPTH=20 1/2"DEEP.
 - 3.) MODULE DIMENSIONS=168"L x 96"W x 93"H
 - 4.) INTERIOR MODULE HEAD ROOM=72"H.
 - 5.) ALL 9x7 LIGHTS TO BE WHELEEN 900 SERIES LIGHTS.
 - 6.) DOUBLE STAINLESS THRESHOLDS.
 - 7.) STYROFOAM INSULATION, WALLS & CEILING.

3			
2			
1			
Rev.#	Revision Description	Date	Rev'd App'vd

Stock/Job#:	Drawing#:	Cust. App'v/Date#	Deal'r App'v/Date:
Osage Dealer:	20-1-2168-SW-100B		
End Customer:	<p style="text-align: center;">Osage Industries, Inc. TWIN RIDGE ROAD P.O. BOX 718 LINN, MO. 65051</p>		
NOTICE			
<p>This drawing and/or the information hereon is the exclusive property of Osage Industries and shall not be reproduced, used or disclosed without the authorized written consent of Osage Industries.</p>			
Drawn By:	S.A.H.	Date:	06-05-19
Drawing Description:	<p style="text-align: center;">EXTERIOR LAYOUT, STREETSIDE TYPE-1 SUPER-WARRIOR</p>		
Scale:	NOT TO SCALE		
Revision#	1		

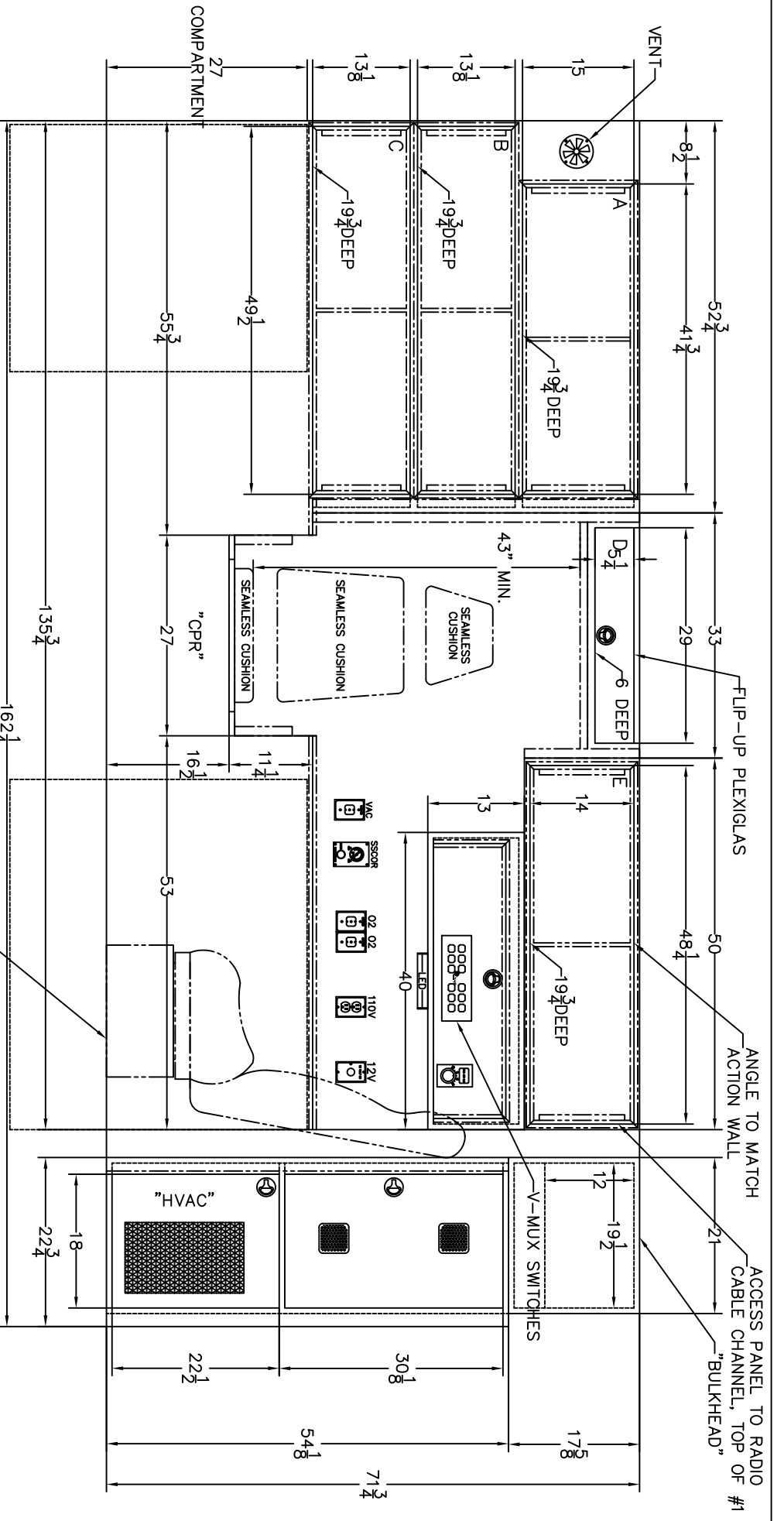


NOTES: THIS DRAWING IS NOT TO SCALE.
 CHARACTERISTICS AND DIMENSIONS OF FINISHED PRODUCT MAY VARY.

- NOTES:
- 1.) COMPARTMENT DIMENSIONS REFLECT OPENING CLEARANCE.
 - 2.) APPROXIMATE COMPARTMENT DEPTH=20 1/2"DEEP.
 - 3.) MODULE DIMENSIONS=168" L x 96"W x 93"H
 - 4.) INTERIOR MODULE HEAD ROOM=72"H.
 - 5.) ALL 9x7 LIGHTS TO BE WHELEN 900 SERIES LIGHTS.
 - 6.) DOUBLE STAINLESS THRESHOLDS.
 - 7.) STYROFOAM INSULATION, WALLS & CEILING.

3			
2			
1			
Rev.#	Revision Description	Date	Rev'd App'vd

Stock/Job#:	Drawing#:	Cust. App'v/Date#	Deal'r App'v/Date:
Osage Dealer:	20-1-2168-SW-100C		
End Customer:	<p style="text-align: center;">Osage Industries, Inc. TWIN RIDGE ROAD P.O. BOX 718 LINN, MO. 65051</p>		
NOTICE			
<p>This drawing and/or the information hereon is the exclusive property of Osage Industries and shall not be reproduced, used or disclosed without the authorized written consent of Osage Industries.</p>			
Drawn By:	S.A.H.	Date:	06-05-19
Drawing Description:	<p style="text-align: center;">EXTERIOR LAYOUT, CURBSIDE TYPE-1 SUPER-WARRIOR</p>		
Scale:	NOT TO SCALE		
Revision#	1		



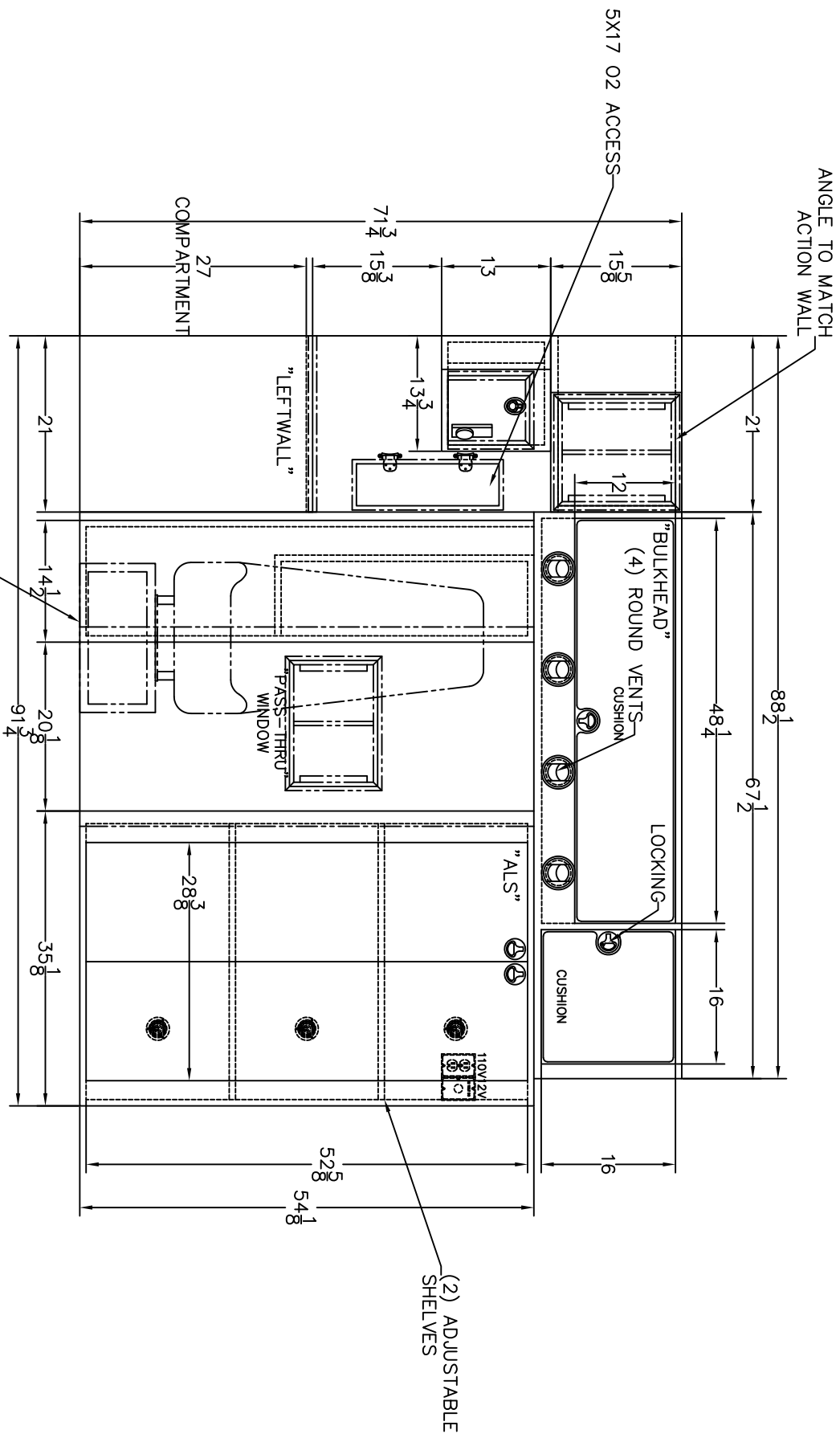
E.V.S. 3-PT. ATTENDANT SEAT

NOTES: THIS DRAWING IS NOT TO SCALE.
 CHARACTERISTICS AND DIMENSIONS OF FINISHED PRODUCT MAY VARY.
 NOTES: CABINET DEPTHS REPRESENT DIMENSION FROM INSIDE REAR TO FRONT FACE OF CABINETS, WITHOUT TRIM. ACTUAL WORKING DEPTH WILL BE LESS THAN DIMENSION SHOWN UNLESS OTHERWISE SPECIFIED.

3				
2				
1				
Rev.#	Revision Description	Date	Rev'd	App'vd

Stock/Job#:	Drawing#:	Cust. App'v/Date#	Decl'r App'v/Date:
Osage Dealer:	20-1-2168-SW-101		
End Customer:	TWINRIDGE ROAD		
NOTICE			
This drawing and/or the information hereon is the exclusive property of Osage Industries and shall not be reproduced, used or disclosed without the authorized written consent of Osage Industries.			
Drawn By:	S.A.H.	Date:	06-05-19
Drawing Description:	STREETSIDE INTERIOR		Scale: NOT TO SCALE
	TYPE-1 SUPER-WARRIOR		Revision#
			1

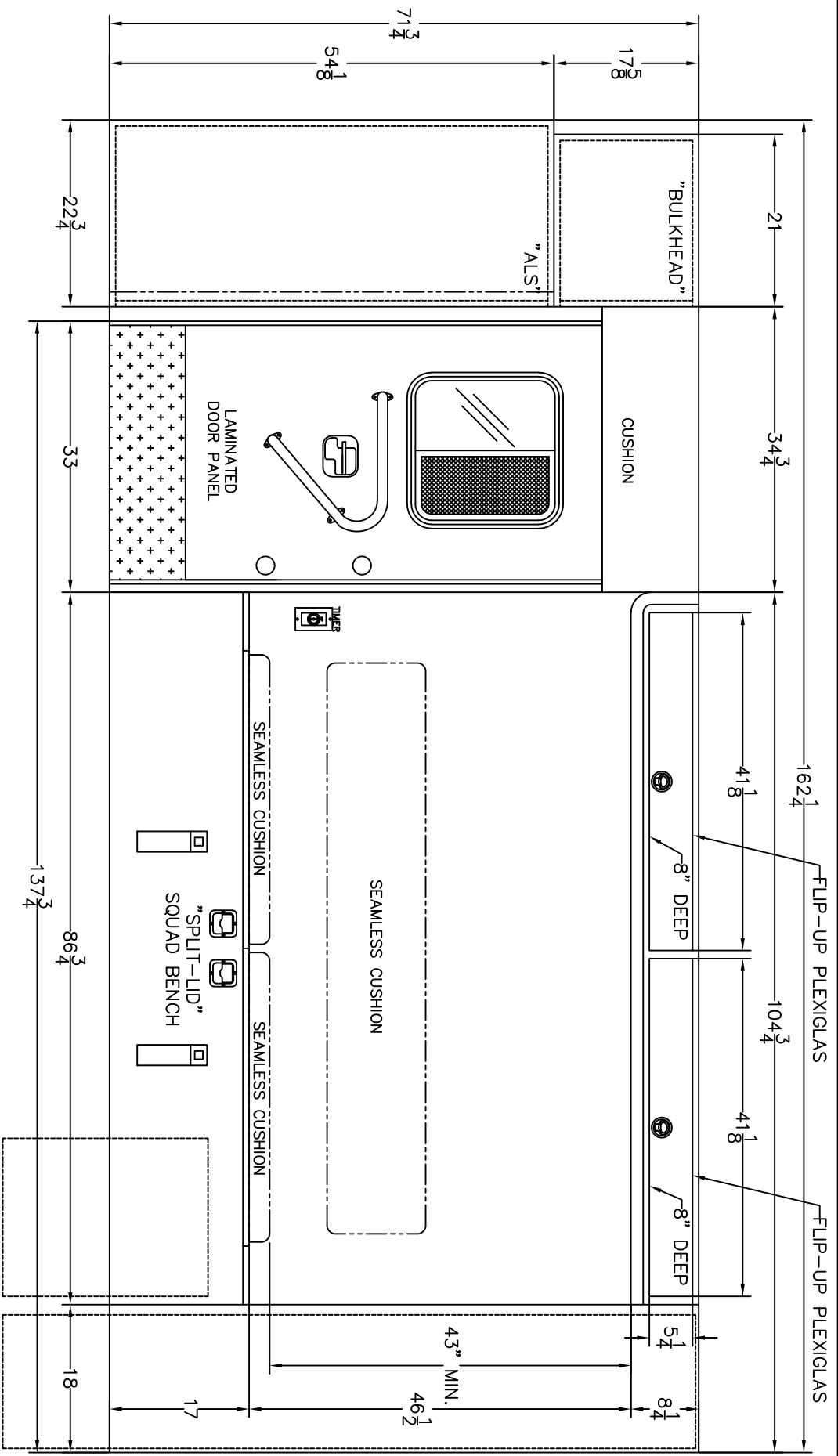
Osage Industries, Inc.
 P.O. BOX 718
 LINN, MO. 65051



NOTES: THIS DRAWING IS NOT TO SCALE.
 CHARACTERISTICS AND DIMENSIONS OF FINISHED PRODUCT MAY VARY.
 NOTES: CABINET DEPTHS REPRESENT DIMENSION FROM INSIDE REAR TO FRONT FACE OF CABINETS, WITHOUT TRIM. ACTUAL WORKING DEPTH WILL BE LESS THAN DIMENSION SHOWN UNLESS OTHERWISE SPECIFIED.

3			
2			
1			
Rev.#	Revision Description	Date	Rev'd App'vd

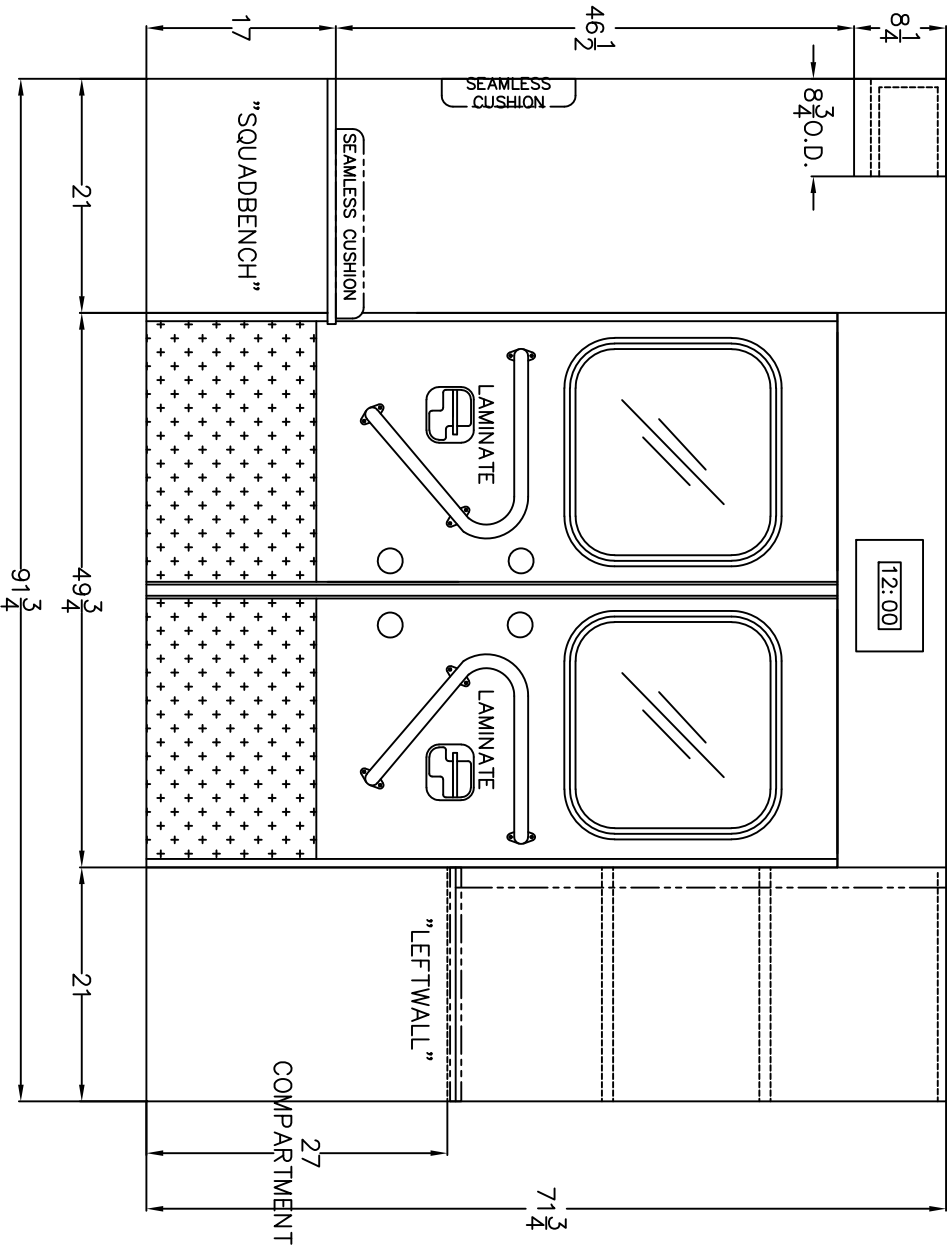
Stock/Job#	Drawing#	Cust. App'v/Date#	Decl'r App'v/Date:
Osage Dealer:	20-1-2168-SW-102		
End Customer:	TWINRIDGE ROAD		
	Osage Industries, Inc.		
	P.O. BOX 718		
	LINN, MO. 63051		
NOTICE			
This drawing and/or the information hereon is the exclusive property of Osage Industries and shall not be reproduced, used or disclosed without the authorized written consent of Osage Industries.			
Drawn By:	S.A.H.	Date:	06-05-19
Drawing Description:	FORWARD INTERIOR		Scale: NOT TO SCALE
	TYPE-I SUPER-WARRIOR		Revision#
			1



NOTES: THIS DRAWING IS NOT TO SCALE.
 CHARACTERISTICS AND DIMENSIONS OF FINISHED PRODUCT MAY VARY.

NOTES: CABINET DEPTHS REPRESENT DIMENSION FROM INSIDE REAR TO FRONT FACE OF CABINETS, WITHOUT TRIM. ACTUAL WORKING DEPTH WILL BE LESS THAN DIMENSION SHOWN UNLESS OTHERWISE SPECIFIED.

3									
2									
1									
Rev.#	Revision Description	Date	Rev'd	App'd					
Stock/Job#: 20-1-2168-SW-103 Osage Dealer: End Customer:					Drawing# 20-1-2168-SW-103 Cust. App'v/Date# Dealer App'v/Date:				
NOTICE This drawing and/or the information hereon is the exclusive property of Osage Industries and shall not be reproduced, used or disclosed without the authorized written consent of Osage Industries.					Drawn By: S.A.H. Date: 06-05-19 Scale: NOT TO SCALE				
TWINRIDGE ROAD Osage Industries, Inc. P.O. BOX 718 LINN, MO. 65051					CURBSIDE INTERIOR TYPE-1 SUPER-WARRIOR				
					Revision# 1				

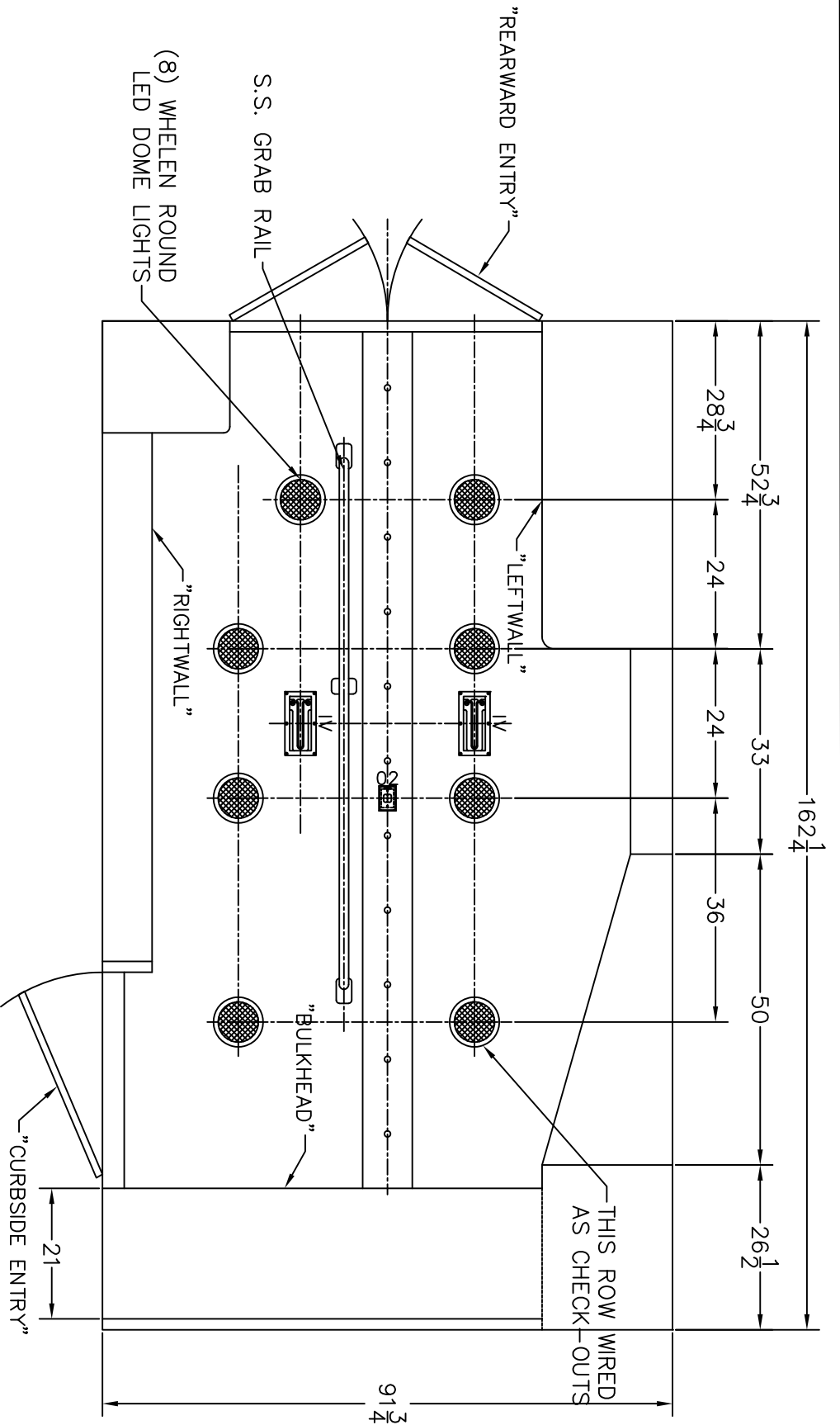


NOTES: THIS DRAWING IS NOT TO SCALE.
 CHARACTERISTICS AND DIMENSIONS OF FINISHED PRODUCT MAY VARY.
 NOTES: CABINET DEPTHS REPRESENT DIMENSION FROM INSIDE REAR TO FRONT FACE OF CABINETS, WITHOUT TRIM. ACTUAL WORKING DEPTH WILL BE LESS THAN DIMENSION SHOWN UNLESS OTHERWISE SPECIFIED.

3				
2				
1				
Rev.#	Revision Description	Date	Rev'd	App'vd

Stock/Job#:	Drawing#:	Cust. App'v/Date#	Deal'r App'v/Date:
Osage Dealer:	20-1-2168-SW-104		
End Customer:			
NOTICE			
This drawing and/or the information hereon is the exclusive property of Osage Industries and shall not be reproduced, used or disclosed without the authorized written consent of Osage Industries.			
Drawn By:	S.A.H.	Date:	06-05-19
Drawing Description:	REARWARD INTERIOR TYPE-1 SUPER-WARRIOR		
Scale:	NOT TO SCALE		
Revision#	1		

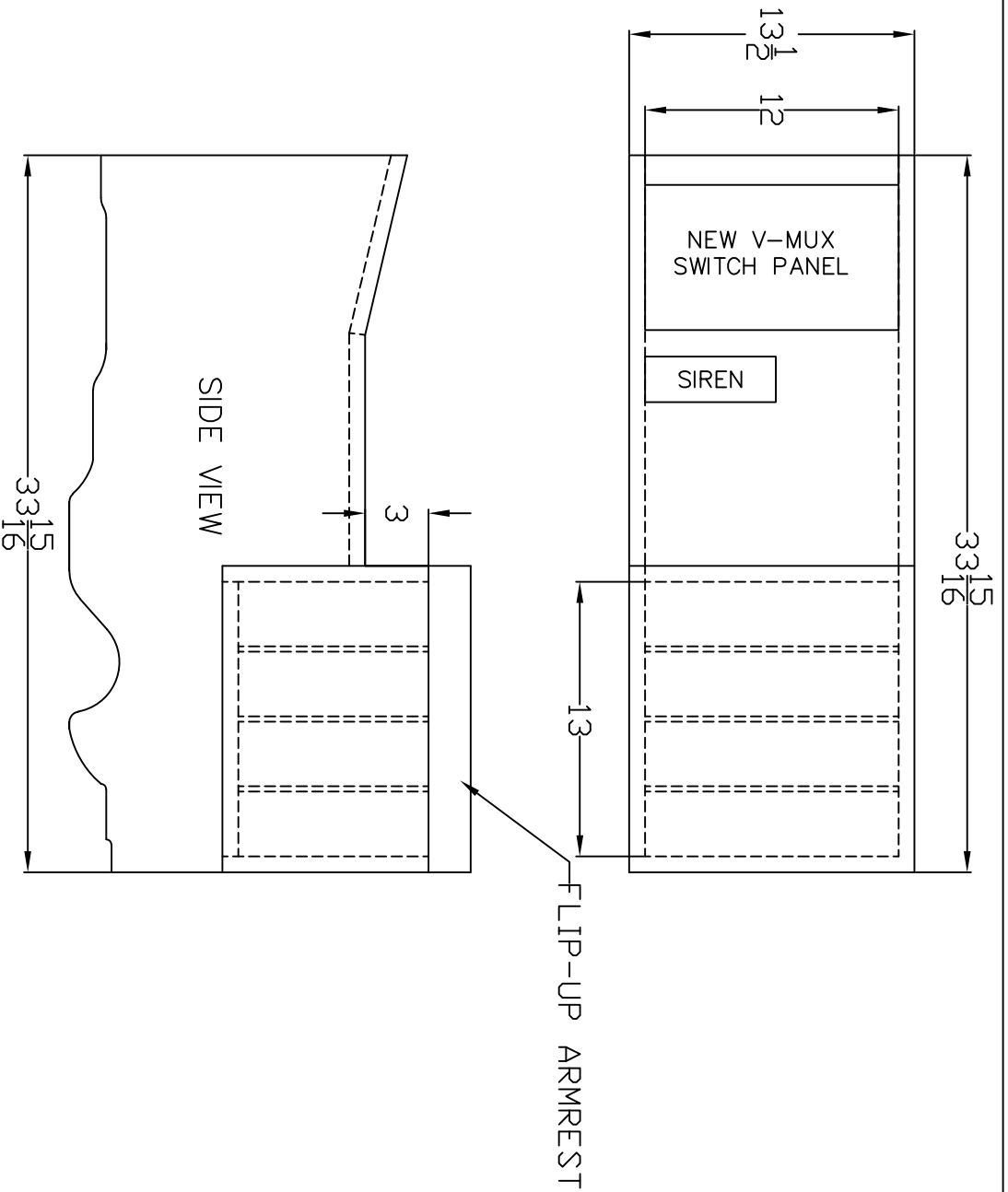
Osage Industries, Inc.
 TWINRIDGE ROAD
 P.O. BOX 718
 LINN, MO. 65051



NOTES: THIS DRAWING IS NOT TO SCALE.
 CHARACTERISTICS AND DIMENSIONS OF FINISHED
 PRODUCT MAY VARY.

3									
2									
1									
Rev.#	Revision Description	Date	Rev'd	App'vd	Stock/Job#	Drawing#	Cust. App'v/Date#	Decl'r App'v/Date:	
					Osage Dealer:	20-1-2168-SW-105			
					End Customer:	TWINRIDGE ROAD			
					NOTICE				
					This drawing and/or the information hereon is the exclusive property of Osage Industries and shall not be reproduced, used or disclosed without the authorized written consent of Osage Industries.				
					Drawn By:	S.A.H.	Date:	06-05-19	Scale:
					Drawing Description:	CEILING LAYOUT			
						TYPE-1 SUPER-WARRIOR			
									NOT TO SCALE
									Revision#
									1

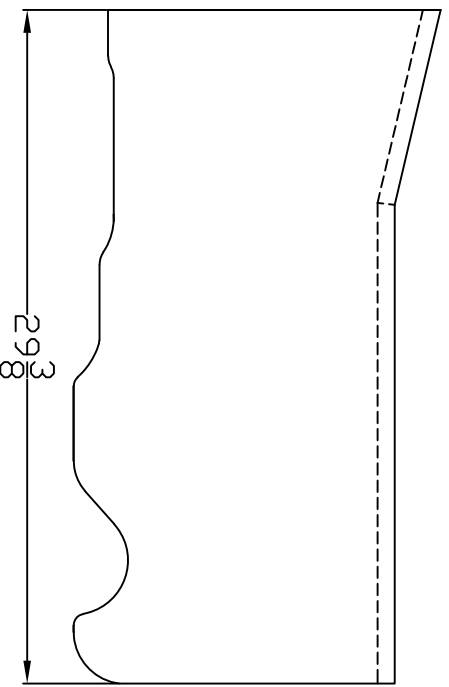
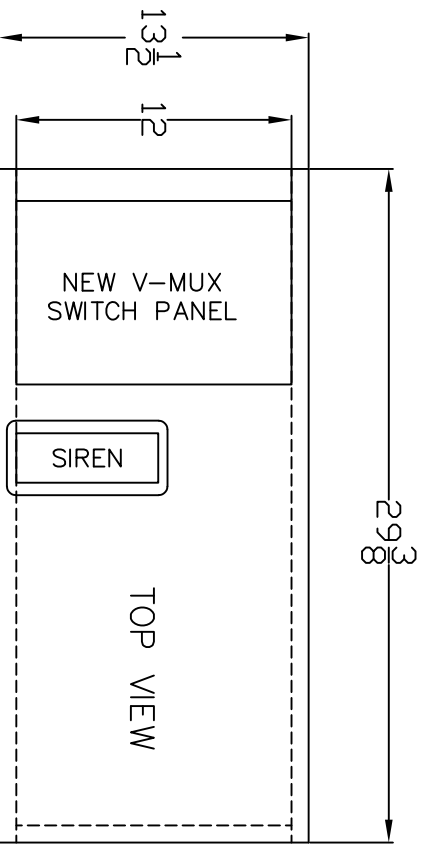
Osage Industries, Inc.
 TWINRIDGE ROAD
 P.O. BOX 718
 LINN, MO. 63051



NOTES: THIS DRAWING IS NOT TO SCALE.
 CHARACTERISTICS AND DIMENSIONS OF
 FINISHED PRODUCT MAY VARY.

3				
2				
1	PRODUCTION DRAFT		SAH	
Rev.#	Revision Description	Date	Rev'd	App'vd

Stock/Job#:	Drawing#:	Cust. App'v/Date#	Deal'r App'v/Date:
Osage Dealer:	20-1-2188-SW-107A		
End Customer:	Osage Industries, Inc. TWINRIDGE ROAD P.O. BOX 718 LINN, MO. 65051		
NOTICE This drawing and/or the information hereon is the exclusive property of Osage Industries and shall not be reproduced, used or disclosed without the authorized written consent of Osage Industries.			
Drawn By:	S.A.H.	Date:	06-05-19
Drawing Description:	OSAGE RADIO CONSOLE		Scale: NOT TO SCALE
	TYPE I, PASS-THROUGH		Revision#
			1



NOTES: THIS DRAWING IS NOT TO SCALE.
 CHARACTERISTICS AND DIMENSIONS OF
 FINISHED PRODUCT MAY VARY.

3				
2				
1	PRODUCTION DRAFT		SAH	
Rev.#	Revision Description	Date	Rev'd	App'vd

Stock/Job#:	Drawing#:	Cust. App'v/Date#:	Deal'r App'v/Date:
Osage Dealer:	20-1-2168-SW-107B		
End Customer:	TWINRIDGE ROAD		
NOTICE			
This drawing and/or the information hereon is the exclusive property of Osage Industries and shall not be reproduced, used or disclosed without the authorized written consent of Osage Industries.			
Drawn By:	S.A.H.	Date:	06-05-19
Drawing Description:	OSAGE RADIO CONSOLE TYPE I, CRAWL-THROUGH		Scale: NOT TO SCALE
			Revision#
			1

Osage Industries, Inc.
 P.O. BOX 718
 LINN, MO. 65051