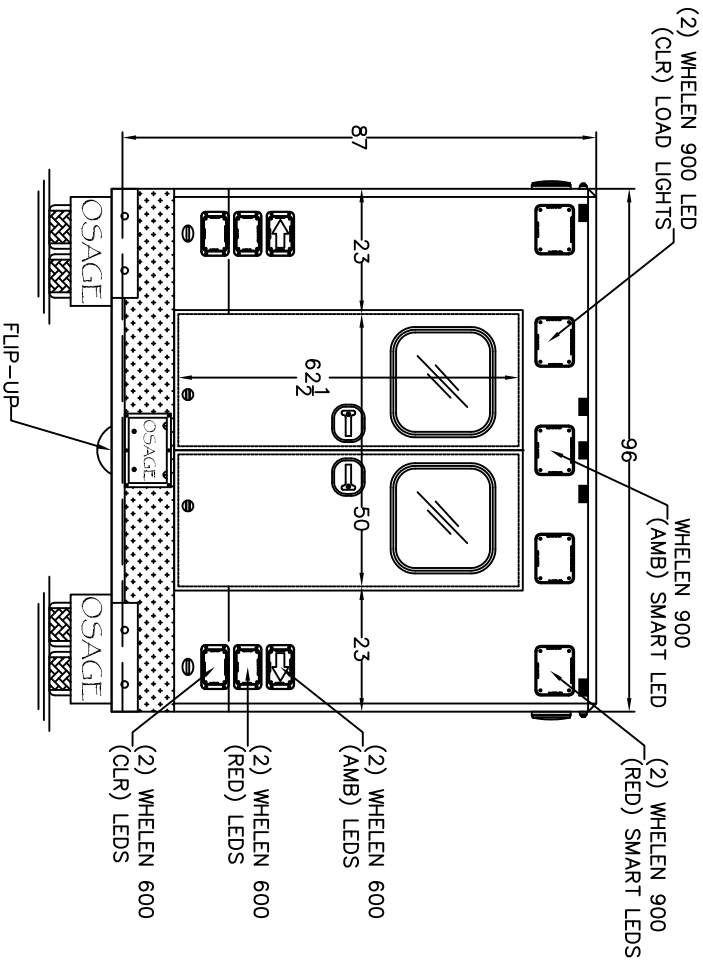
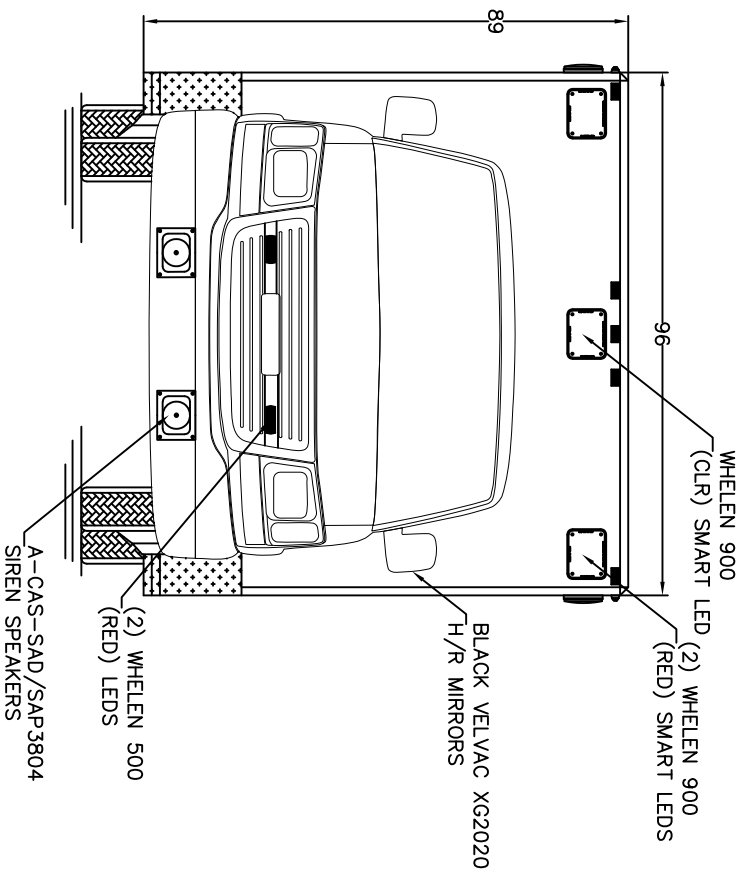


NOTES: THIS DRAWING IS NOT TO SCALE.
 CHARACTERISTICS AND DIMENSIONS OF FINISHED PRODUCT MAY VARY.

NOTES:
 1.) COMPARTMENT DIMENSIONS REFLECT OPENING CLEARANCE.
 2.) APPROXIMATE COMPARTMENT DEPTH=19"DEEP.
 3.) MODULE DIMENSIONS=168"L x 96"W x 89"H.
 4.) INTERIOR MODULE HEAD ROOM=72"H.
 5.) ALL 9x7 LIGHTS TO BE WHELEN 900 SERIES LIGHTS.
 6.) DOUBLE STAINLESS THRESHOLDS.
 7.) STYROFOAM INSULATION, WALLS & CEILING.

3					
2					
1					
Rev.#	Revision Description	Date	Rev'd	App'vd	
Stock/Job#: 20-3-2168-SW-100 Osage Dealer: End Customer:		Drawing# Cust. App'v/Date# Dealer App'v/Date:		This drawing and/or the information hereon is the exclusive property of Osage Industries and shall not be reproduced, used or disclosed without the authorized written consent of Osage Industries.	
Osage Industries, Inc. TWIN RIDGE ROAD P.O. BOX 718 LINN, MO. 65051		Drawn By: S.A.H. Date: 06-05-19 Scale: NOT TO SCALE		EXTERIOR LAYOUT TYPE-III SUPER-WARRIOR, G4500	
NOTICE				Revision# 1	

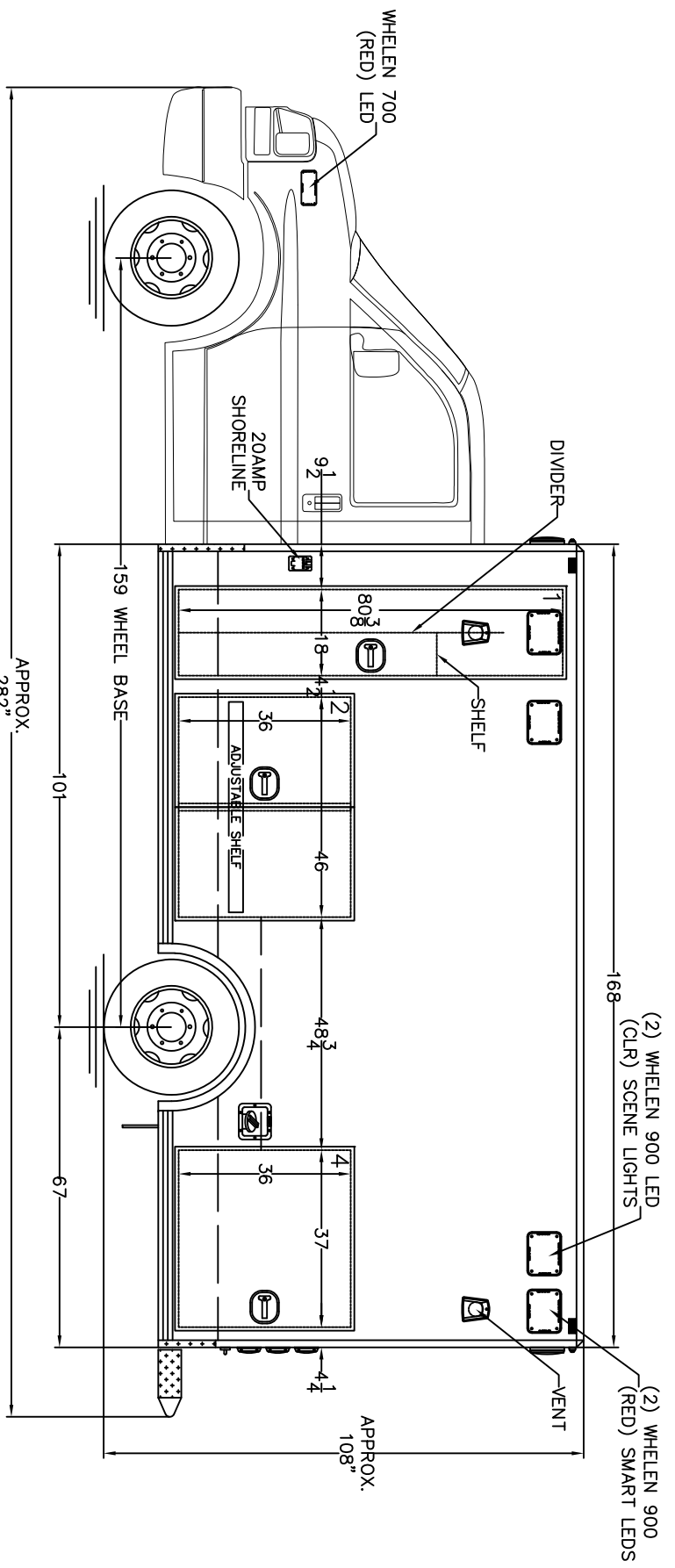


NOTES:
 1.) COMPARTMENT DIMENSIONS REFLECT OPENING CLEARANCE.
 2.) APPROXIMATE COMPARTMENT DEPTH=19"DEEP.
 3.) MODULE DIMENSIONS=168"L x 96"W x 89"H.
 4.) INTERIOR MODULE HEAD ROOM=72"H.
 5.) ALL 9x7 LIGHTS TO BE WHELEN 900 SERIES LIGHTS.
 6.) DOUBLE STAINLESS THRESHOLDS.
 7.) STYROFOAM INSULATION, WALLS & CEILING.

NOTES:
 1.) COMPARTMENT DIMENSIONS REFLECT OPENING CLEARANCE.
 2.) APPROXIMATE COMPARTMENT DEPTH=19"DEEP.
 3.) MODULE DIMENSIONS=168"L x 96"W x 89"H.
 4.) INTERIOR MODULE HEAD ROOM=72"H.
 5.) ALL 9x7 LIGHTS TO BE WHELEN 900 SERIES LIGHTS.
 6.) DOUBLE STAINLESS THRESHOLDS.
 7.) STYROFOAM INSULATION, WALLS & CEILING.

3			
2			
1			
Rev.#	Revision Description	Date	Rev'd App'vd

Stock/Job#:	Drawing#	Cust. App'v/Date#	Deal'r App'v/Date:
Osage Dealer:	20-3-2168-SW-100		
End Customer:	TWIN RIDGE ROAD Osage Industries, Inc. P.O. BOX 718 LINN, MO. 65051		
NOTICE			
This drawing and/or the information hereon is the exclusive property of Osage Industries and shall not be reproduced, used or disclosed without the authorized written consent of Osage Industries.			
Drawn By:	S.A.H.	Date:	06-05-19
Drawing Description:	EXTERIOR LAYOUT, FRONT/REAR TYPE-III SUPER-WARRIOR, G4500		
Scale:	NOT TO SCALE		
Revision#	1		

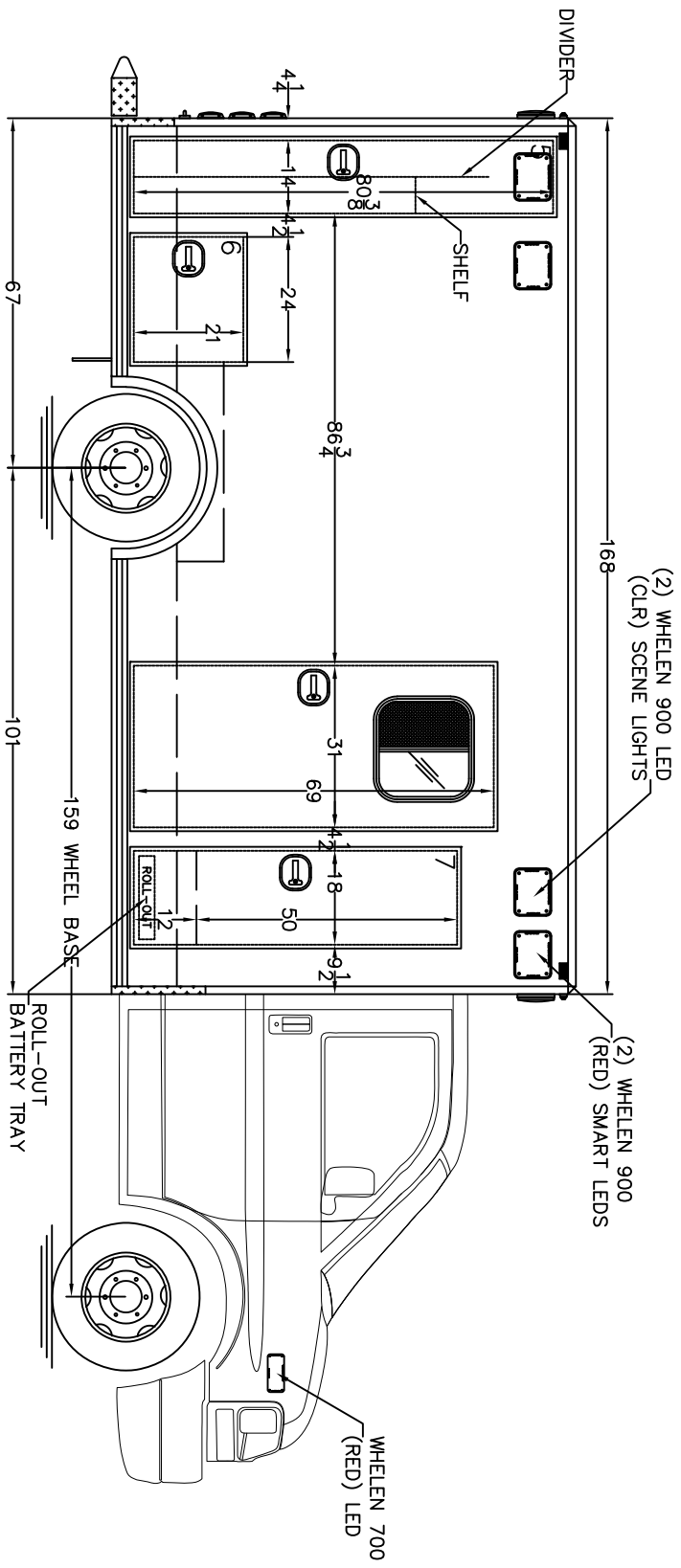


NOTES: THIS DRAWING IS NOT TO SCALE.
 CHARACTERISTICS AND DIMENSIONS OF FINISHED PRODUCT MAY VARY.

- NOTES:
- 1.) COMPARTMENT DIMENSIONS REFLECT OPENING CLEARANCE.
 - 2.) APPROXIMATE COMPARTMENT DEPTH=19"DEEP.
 - 3.) MODULE DIMENSIONS=168"L x 96"W x 89"H.
 - 4.) INTERIOR MODULE HEAD ROOM=72"H.
 - 5.) ALL 9x7 LIGHTS TO BE WHELEN 900 SERIES LIGHTS.
 - 6.) DOUBLE STAINLESS THRESHOLDS.
 - 7.) STYROFOAM INSULATION, WALLS & CEILING.

3									
2									
1									
Rev.#	Revision Description	Date	Rev'd	App'vd	<p>This drawing and/or the information hereon is the exclusive property of Osage Industries and shall not be reproduced, used or disclosed without the authorized written consent of Osage Industries.</p> <p>NOTICE</p> <p>Osage Industries, Inc. TWIN RIDGE ROAD P.O. BOX 718 LINN, MO. 65051</p> <p>Stock/Job#: 20-3-2168-SW-100B Osage Dealer: End Customer: Drawing#: 20-3-2168-SW-100B Cust. App'v/Date# Dealer App'v/Date: Drawn By: S.A.H. Date: 06-05-19 Scale: NOT TO SCALE</p>				

EXTERIOR LAYOUT, STREETSIDE TYPE-III SUPER-WARRIOR, G4500	1
--	---

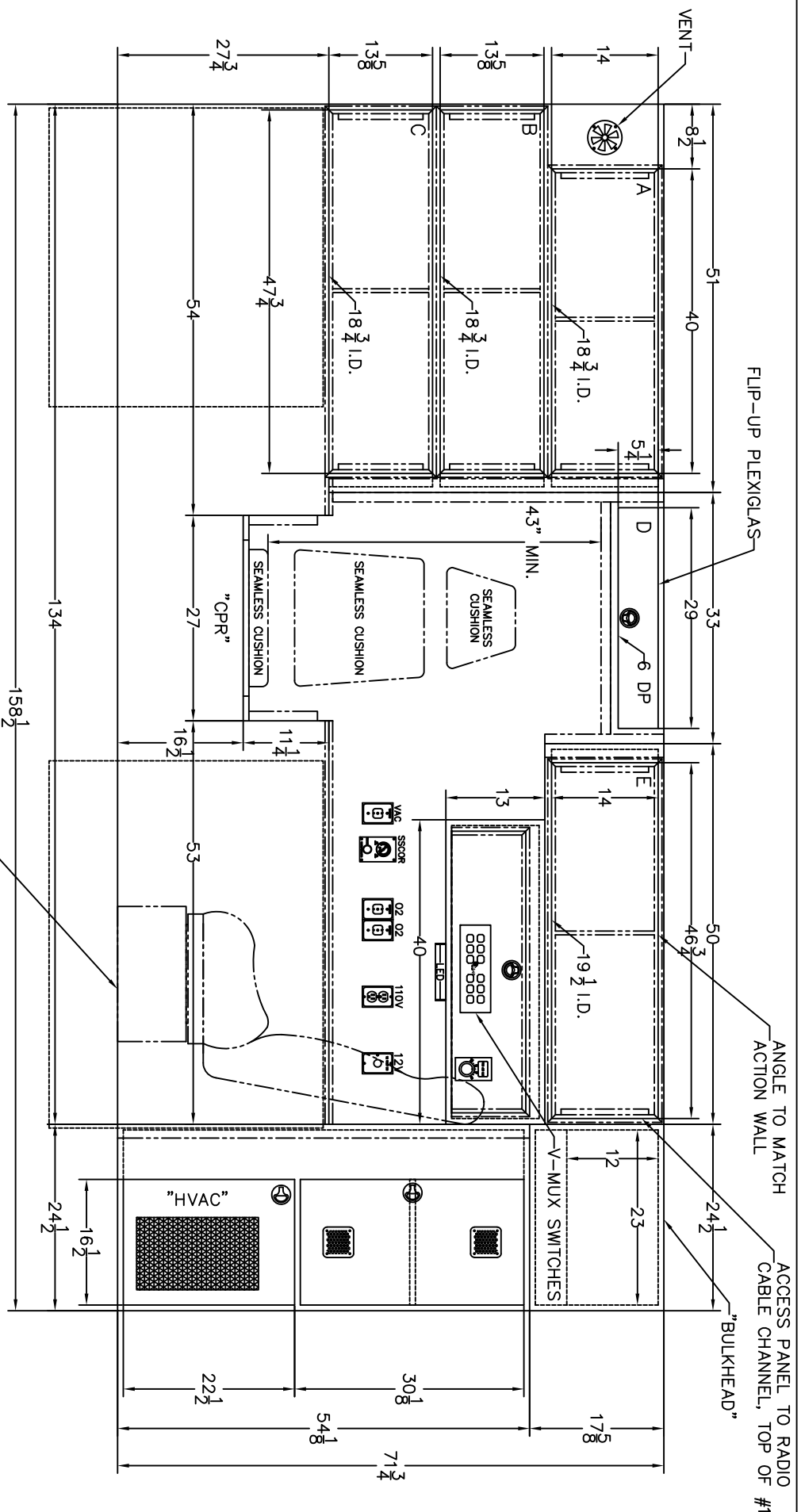


NOTES: THIS DRAWING IS NOT TO SCALE.
 CHARACTERISTICS AND DIMENSIONS OF FINISHED PRODUCT MAY VARY.

- NOTES:
- 1.) COMPARTMENT DIMENSIONS REFLECT OPENING CLEARANCE.
 - 2.) APPROXIMATE COMPARTMENT DEPTH=19"DEEP.
 - 3.) MODULE DIMENSIONS=168"L x 96"W x 89"H.
 - 4.) INTERIOR MODULE HEAD ROOM=72"H.
 - 5.) ALL 9x7 LIGHTS TO BE WHELEN 900 SERIES LIGHTS.
 - 6.) DOUBLE STAINLESS THRESHOLDS.
 - 7.) STYROFOAM INSULATION, WALLS & CEILING.

3									
2									
1									
Rev.#	Revision Description	Date	Rev'd	App'vd	Stock/Job#:	Drawing#:	Cust. App'v/Date#:	Deal'r App'v/Date:	
					Osage Dealer:	20-3-2168-SW-100C			
					End Customer:	TWIN RIDGE ROAD			
					NOTICE				
					This drawing and/or the information hereon is the exclusive property of Osage Industries and shall not be reproduced, used or disclosed without the authorized written consent of Osage Industries.				
					Drawn By:	S.A.H.	Date:	06-05-19	Scale:
					Drawing Description:	EXTERIOR LAYOUT, CURBSIDE TYPE-III SUPER-WARRIOR, G4500			
									NOT TO SCALE
									Revision#
									1

Osage Industries, Inc.
 TWIN RIDGE ROAD
 P.O. BOX 718
 LINN, MO. 65051

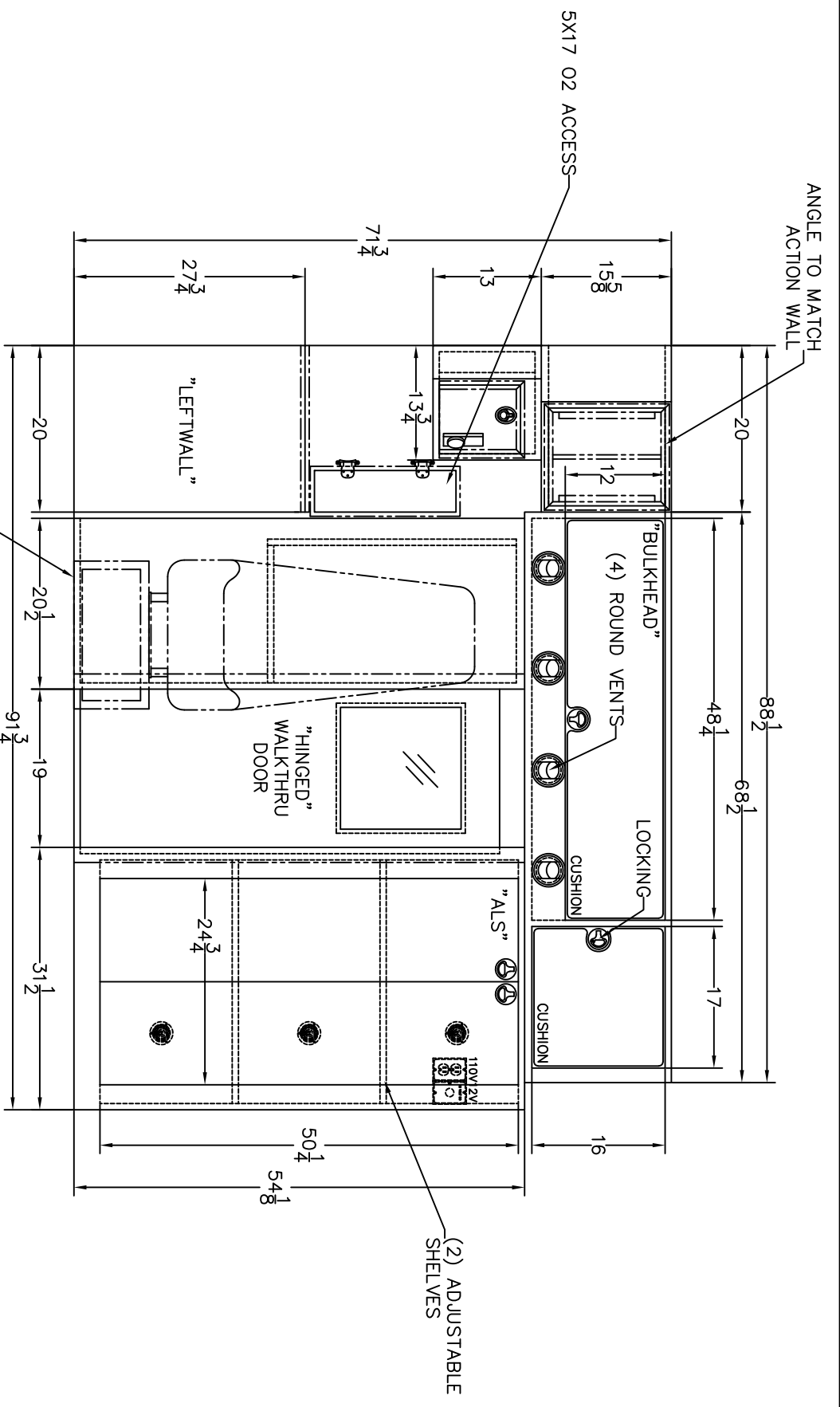


E.V.S. 3-PT. ATTENDANT SEAT

NOTES: THIS DRAWING IS NOT TO SCALE.
 CHARACTERISTICS AND DIMENSIONS OF FINISHED PRODUCT MAY VARY.
 NOTES: CABINET DEPTHS REPRESENT DIMENSION FROM INSIDE REAR TO FRONT FACE OF CABINETS, WITHOUT TRIM. ACTUAL WORKING DEPTH WILL BE LESS THAN DIMENSION SHOWN UNLESS OTHERWISE SPECIFIED.

3			
2			
1			
Rev.#	Revision Description	Date	Rev'd App'vd

Stock/Job#:	Drawing#:	Cust. App'v/Date#:	Deal'r App'v/Date:
Osage Dealer:	20-3-2168-SW-101		
End Customer:	TWINRIDGE ROAD		
	Osage Industries, Inc.		
	P.O. BOX 718		
	LINN, MO. 65051		
NOTICE		Drawn By:	Date:
This drawing and/or the information hereon is the exclusive property of Osage Industries and shall not be reproduced, used or disclosed without the authorized written consent of Osage Industries.		S.A.H.	06-05-19
Drawing Description:		Scale:	NOT TO SCALE
STREETSIDE INTERIOR			Revision#
TYPE-III SUPER-WARRIOR, G4500			1



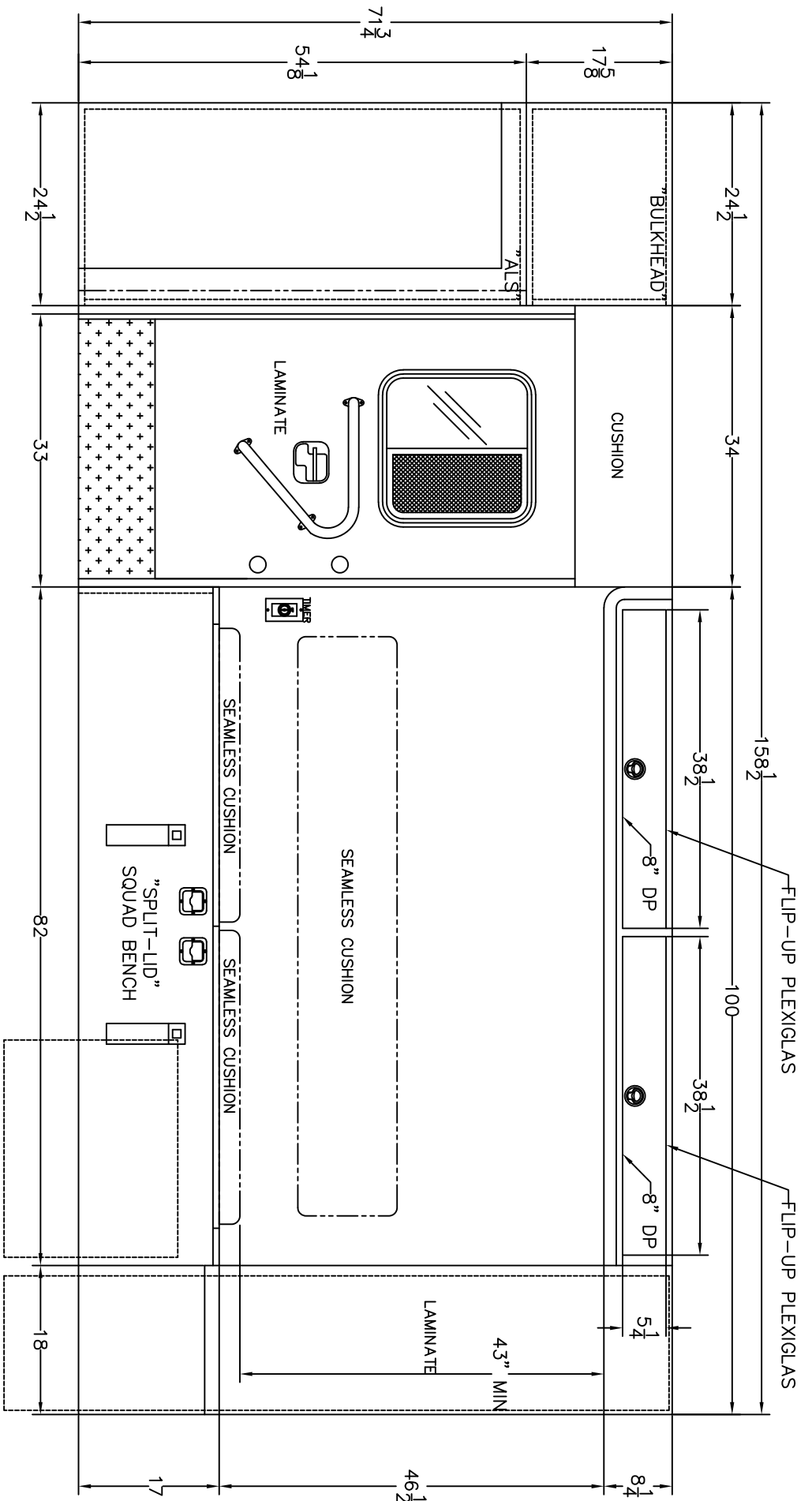
E.V.S. 3-PT. ATTENDANT SEAT

NOTES: THIS DRAWING IS NOT TO SCALE.
CHARACTERISTICS AND DIMENSIONS OF FINISHED PRODUCT MAY VARY.

NOTES: CABINET DEPTHS REPRESENT DIMENSION FROM INSIDE REAR TO FRONT FACE OF CABINETS, WITHOUT TRIM. ACTUAL WORKING DEPTH WILL BE LESS THAN DIMENSION SHOWN UNLESS OTHERWISE SPECIFIED.

Rev.#	Revision Description	Date	Rev'd	App'vd
3				
2				
1				

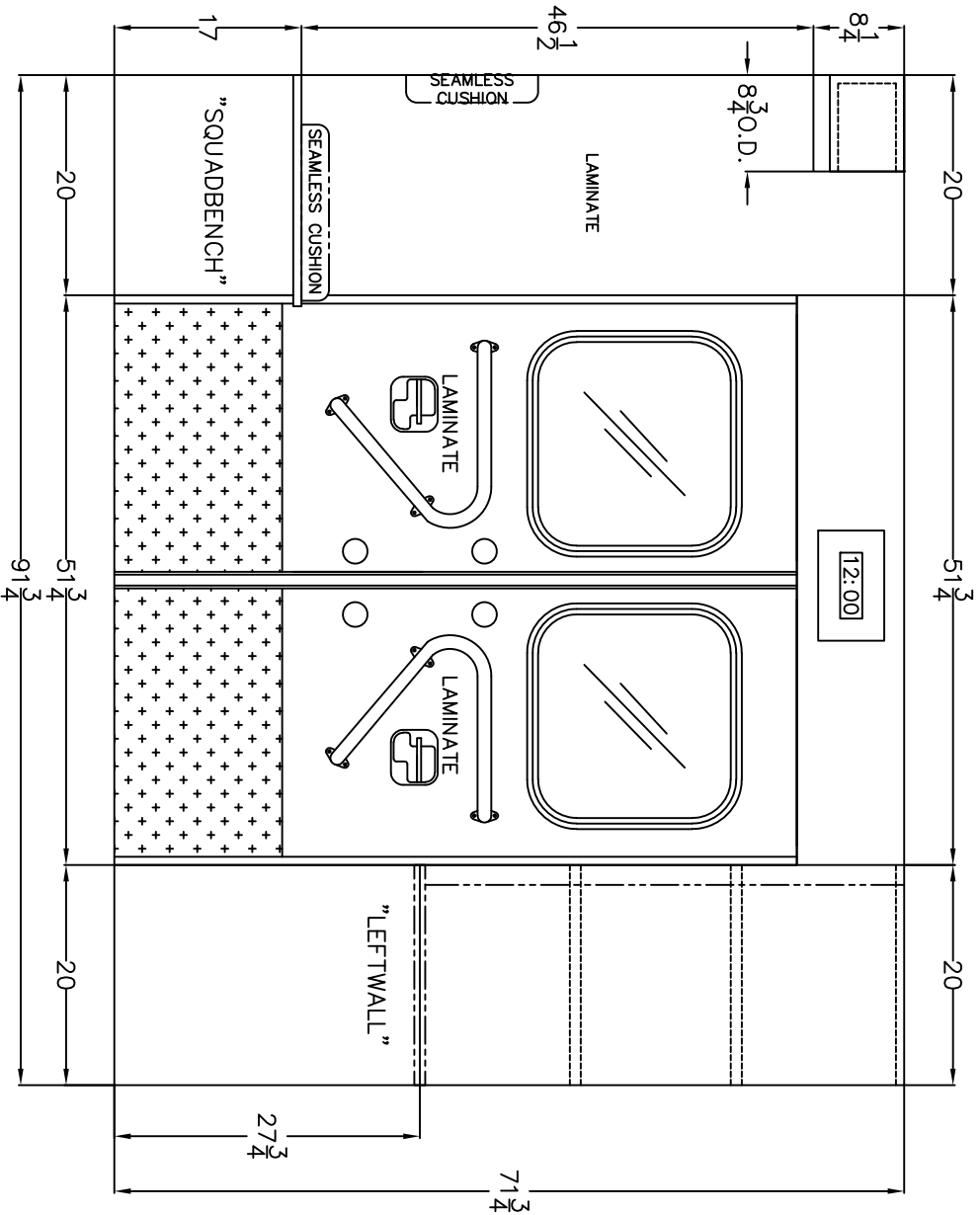
Stock/Job#	Drawing#	Cust. App'v/Date#	Decl'r App'v/Date:
Osage Dealer:	20-3-2168-SW-102		
End Customer:	TWINRIDGE ROAD		
	Osage Industries, Inc.		
	P.O. BOX 718		
	LINN, MO. 65051		
NOTICE			
This drawing and/or the information hereon is the exclusive property of Osage Industries and shall not be reproduced, used or disclosed without the authorized written consent of Osage Industries.			
Drawn By:	S.A.H.	Date:	06-05-19
Drawing Description:	FORWARD INTERIOR		Scale: NOT TO SCALE
	TYPE-III SUPER-WARRIOR, G4500		Revision#
			1



NOTES: THIS DRAWING IS NOT TO SCALE.
 CHARACTERISTICS AND DIMENSIONS OF FINISHED PRODUCT MAY VARY.

NOTES: CABINET DEPTHS REPRESENT DIMENSION FROM INSIDE REAR TO FRONT FACE OF CABINETS, WITHOUT TRIM. ACTUAL WORKING DEPTH WILL BE LESS THAN DIMENSION SHOWN UNLESS OTHERWISE SPECIFIED.

3					
2					
1					
Rev.#	Revision Description	Date	Rev'd	App'd	
Stock/Job# Osage Dealer: End Customer:		Drawing# 20-3-2168-SW-103		Cust. App'v/Date# Dealer App'v/Date:	
NOTICE This drawing and/or the information hereon is the exclusive property of Osage Industries and shall not be reproduced, used or disclosed without the authorized written consent of Osage Industries.		Drawn By: S.A.H.		Date: 06-05-19	
Drawing Description: CURBSIDE INTERIOR TYPE-III SUPER-WARRIOR, G4500		Scale: NOT TO SCALE		Revision# 1	

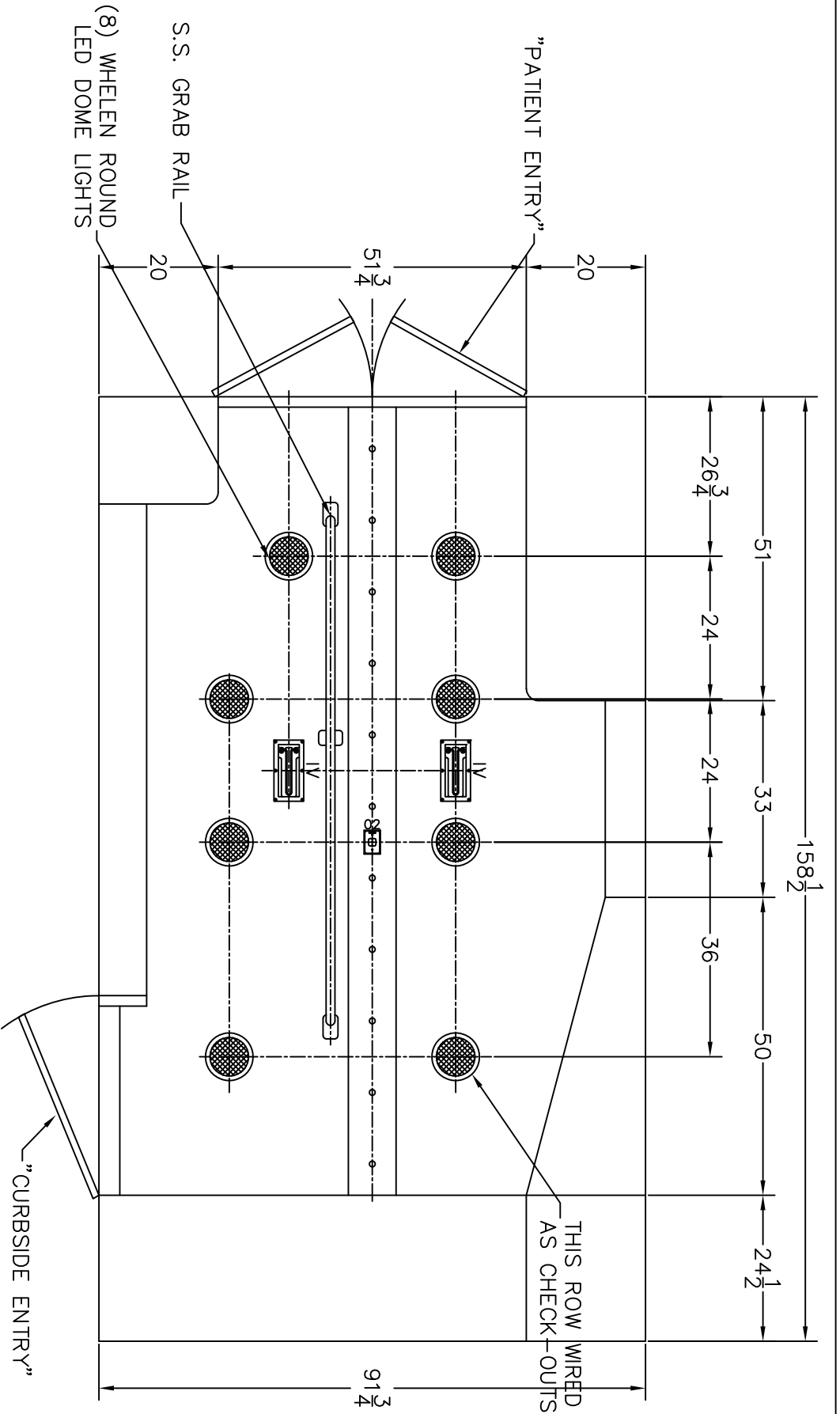


NOTES: THIS DRAWING IS NOT TO SCALE.
 CHARACTERISTICS AND DIMENSIONS OF FINISHED PRODUCT MAY VARY.
 NOTES: CABINET DEPTHS REPRESENT DIMENSION FROM
 INSIDE REAR TO FRONT FACE OF CABINETS, WITHOUT TRIM.
 ACTUAL WORKING DEPTH WILL BE LESS THAN DIMENSION
 SHOWN UNLESS OTHERWISE SPECIFIED.

3			
2			
1			
Rev.#	Revision Description	Date	Rev'd App'vd

Stock/Job#:	Drawing#:	Cust. App'v/Date#	Deal'r App'v/Date:
Osage Dealer:	20-3-2168-SW-104		
End Customer:			
NOTICE			
This drawing and/or the information hereon is the exclusive property of Osage Industries and shall not be reproduced, used or disclosed without the authorized written consent of Osage Industries.			
Drawn By:	S.A.H.	Date:	06-05-19
Drawing Description:	REARWARD INTERIOR TYPE-III SUPER-WARRIOR, G4500		
Scale:	NOT TO SCALE		
Revision#	1		

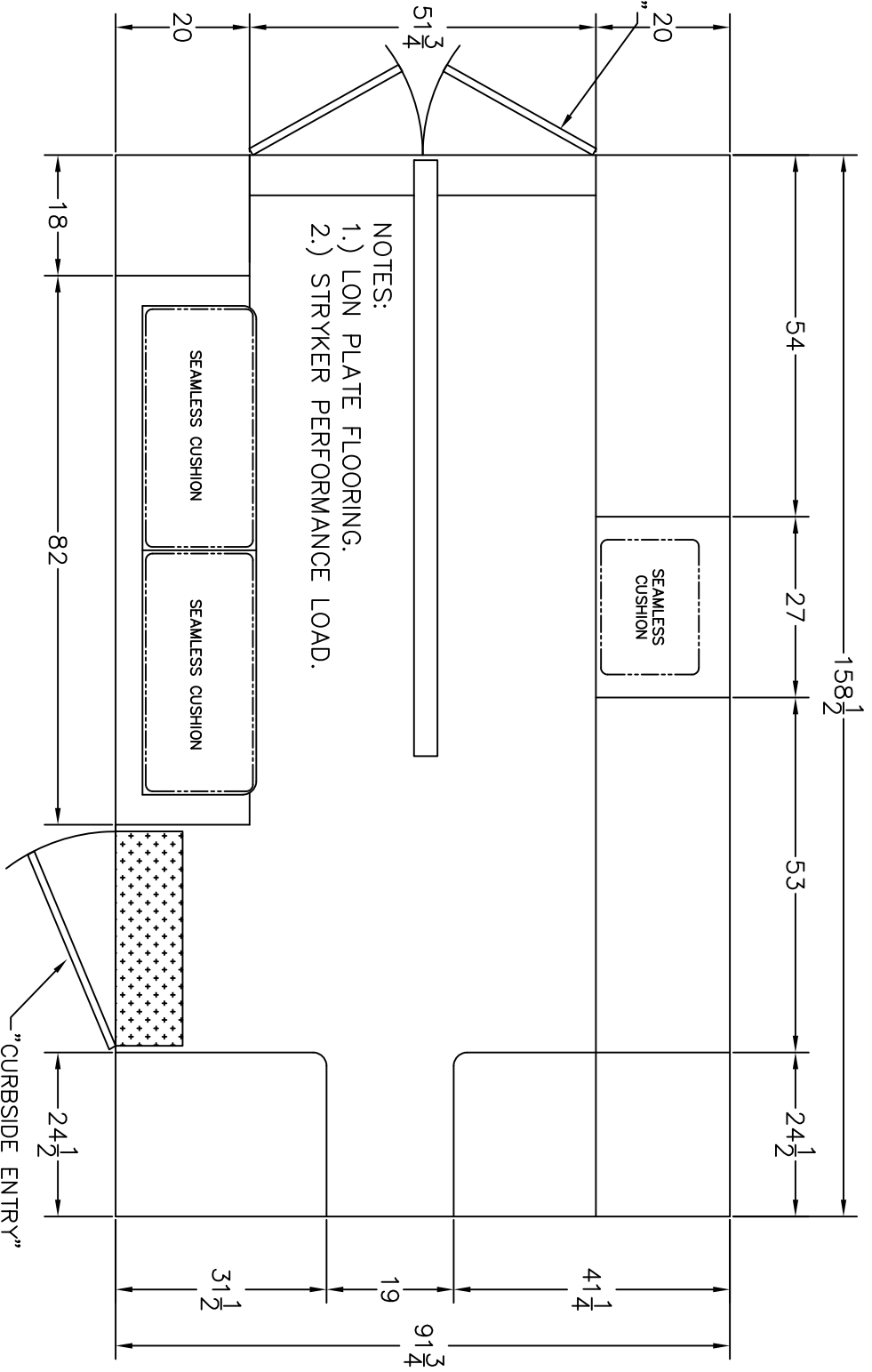
Osage Industries, Inc.
 TWINRIDGE ROAD
 P.O. BOX 718
 LINN, MO. 65051



NOTES: THIS DRAWING IS NOT TO SCALE.
 CHARACTERISTICS AND DIMENSIONS OF FINISHED
 PRODUCT MAY VARY.

3			
2			
1			
Rev.#	Revision Description	Date	Rev'd App'vd

Stock/Job#:	Drawing#:	Cust. App'v/Date#:	Decl'r App'v/Date:
Osage Dealer:	20-3-2168-SW-105		
End Customer:	TWINRIDGE ROAD		
	Osage Industries, Inc.		
	P.O. BOX 718		
	LINN, MO. 63051		
NOTICE		Drawn By: S.A.H.	Date: 06-05-19
This drawing and/or the information hereon is the exclusive property of Osage Industries and shall not be reproduced, used or disclosed without the authorized written consent of Osage Industries.		Drawing Description: CEILING LAYOUT	Scale: NOT TO SCALE
		TYPE-III SUPER-WARRIOR, G4500	Revision# 1



NOTES:
 1.) LON PLATE FLOORING.
 2.) STRYKER PERFORMANCE LOAD.

NOTES: THIS DRAWING IS NOT TO SCALE.
 CHARACTERISTICS AND DIMENSIONS OF FINISHED
 PRODUCT MAY VARY.

Stock/Job#:	Drawing#:	Cust. App'v/Date#:	Decl'r App'v/Date:
Osage Dealer:	20-3-2168-SW-106		
End Customer:	TWINRIDGE ROAD		
	Osage Industries, Inc.		
	P.O. BOX 718		
	LINN, MO. 63051		
NOTICE		Drawn By:	Date:
This drawing and/or the information hereon is the exclusive property of Osage Industries and shall not be reproduced, used or disclosed without the authorized written consent of Osage Industries.		S.A.H.	06-05-19
Drawing Description:		Scale:	
FLOOR LAYOUT		NOT TO SCALE	
TYPE-III SUPER-WARRIOR, G4500		Revision#:	
		1	
Rev.#	Revision Description	Date	Rev'd App'vd
3			
2			
1			