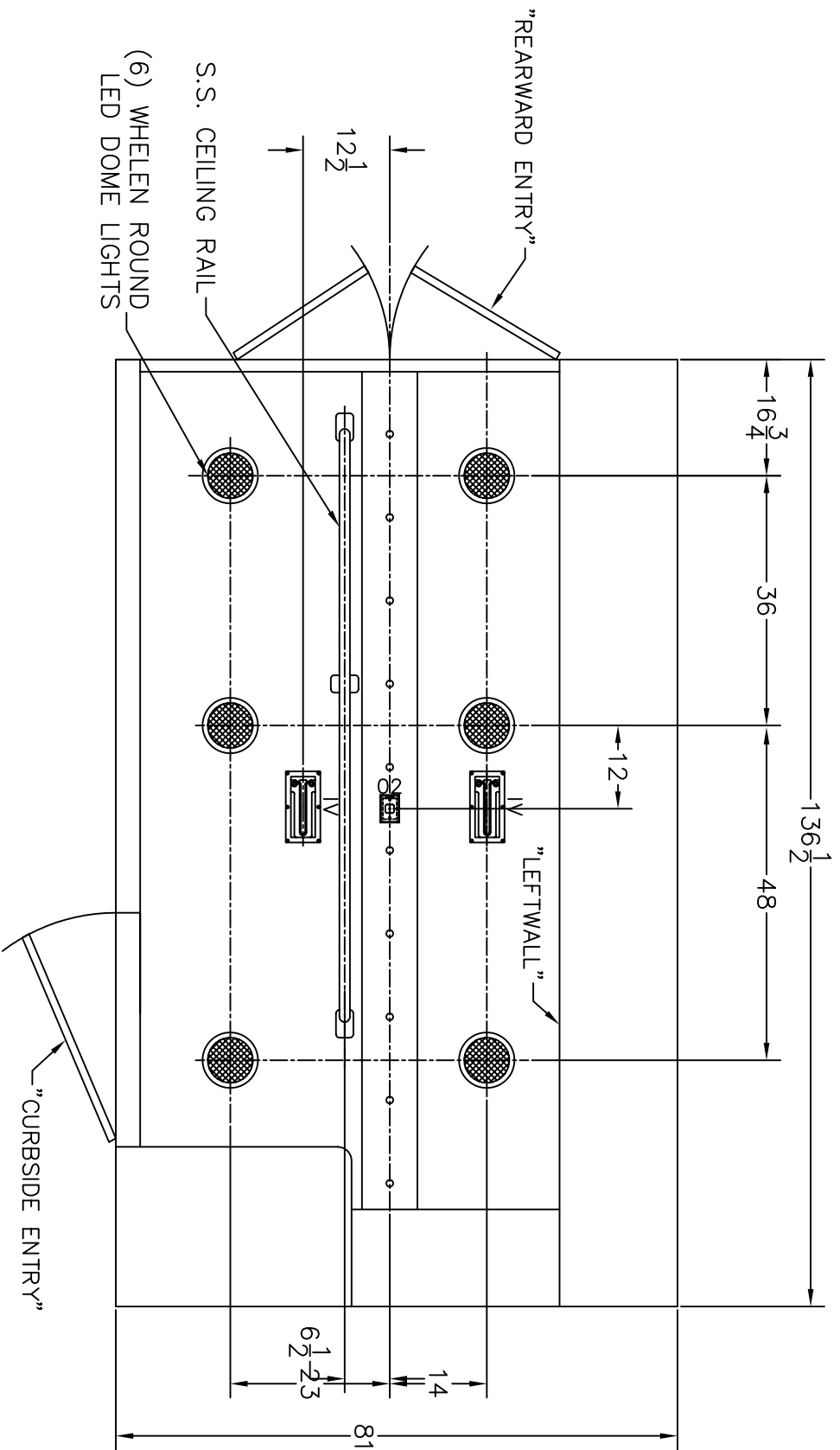


NOTES: THIS DRAWING IS NOT TO SCALE.
 CHARACTERISTICS AND DIMENSIONS OF FINISHED PRODUCT MAY VARY.

NOTES:

- 1.) COMPARTMENT DIMENSIONS REFLECT OPENING CLEARANCE.
- 2.) APPROXIMATE COMPARTMENT DEPTH=15"DEEP.
- 3.) MODULE DIMENSIONS=144"L x 86"W x 87 1/2"H.
- 4.) INTERIOR MODULE HEAD ROOM=66"H.
- 5.) ALL 9x7 LIGHTS TO BE WHELEN 900 SERIES LIGHTS.
- 6.) DOUBLE STAINLESS THRESHOLDS.
- 7.) STYROFOAM INSULATION, WALLS & CEILING.

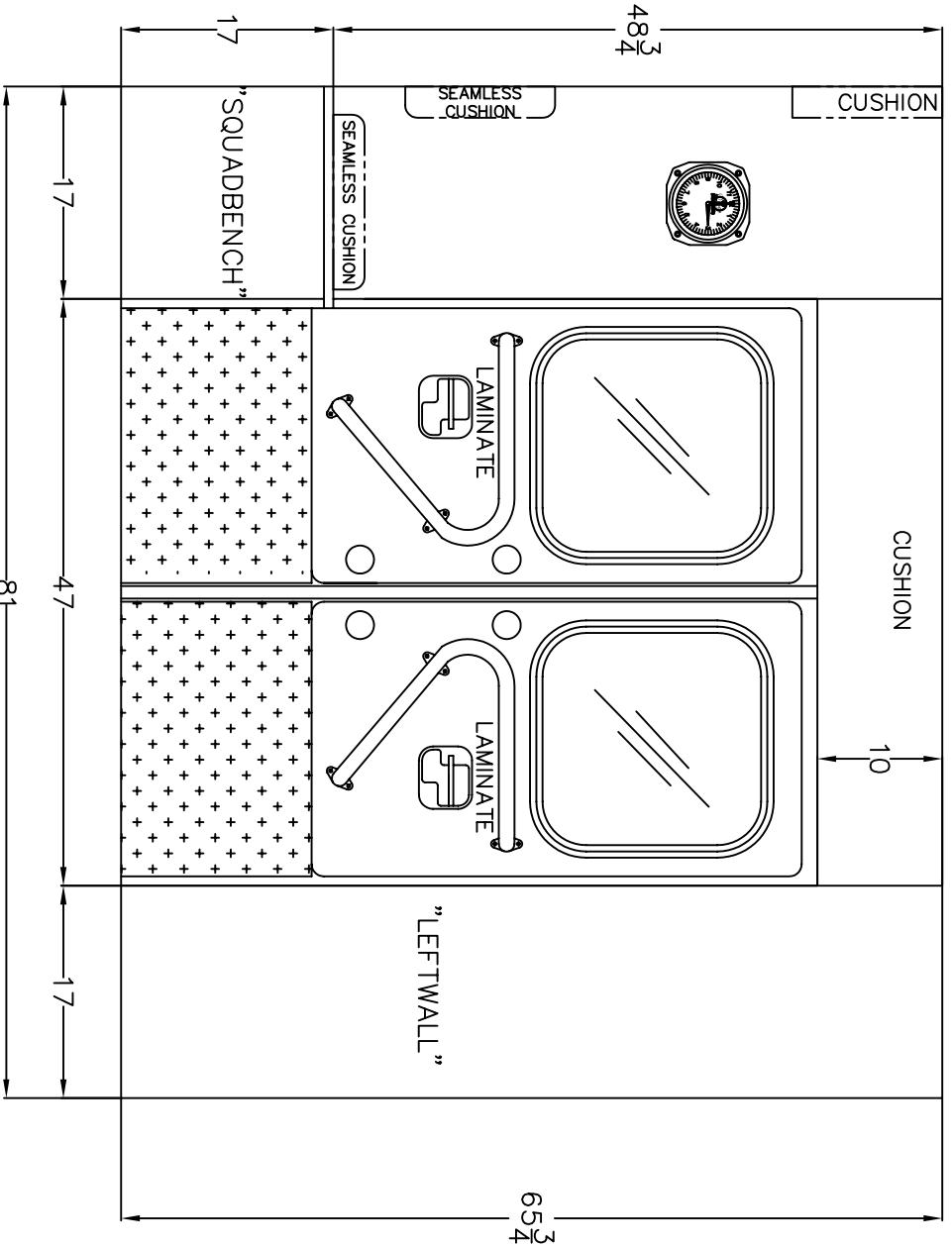
Rev.#	Revision Description	Date	Rev'd	App'vd
3				
2				
1				
Stock/Job#:	Drawing#:	Cust. App'v/Date#:	Decl'r App'v/Date:	
Osage Dealer:	13-3-2144-S-100			
End Customer:	<p>Osage Industries, Inc. TWINRIDGE ROAD P.O. BOX 718 LINN, MO. 65051</p>			
NOTICE				
<p>This drawing and/or the information hereon is the exclusive property of Osage Industries and shall not be reproduced, used or disclosed without the authorized written consent of Osage Industries.</p>				
Drawn By:	S.A.H.	Date:	09-04-12	Scale: NOT TO SCALE
Drawing Description:	EXTERIOR LAYOUT TYPE-III, SPRINTER			Revision#
				1



NOTES: THIS DRAWING IS NOT TO SCALE.
 CHARACTERISTICS AND DIMENSIONS OF FINISHED PRODUCT
 MAY VARY.

3			
2			
1			
Rev.#	Revision Description	Date	Rev'd App'vd

Stock/Job#:	Drawing#	Cust. App'v/Date#	Deal'r App'v/Date:
Osage Dealer:	13-3-2144-B-105		
End Customer:	Osage Industries, Inc. TWINRIDGE ROAD P.O. BOX 718 LINN, MO. 65051		
NOTICE	Drawn By:	Date:	Scale:
This drawing and/or the information hereon is the exclusive property of Osage Industries and shall not be reproduced, used or disclosed without the authorized written consent of Osage Industries.	S.A.H.	09-04-12	NOT TO SCALE
	Drawing Description:	CEILING LAYOUT	
	TYPE-III BRAVE, SPRINTER		Revision#
			1

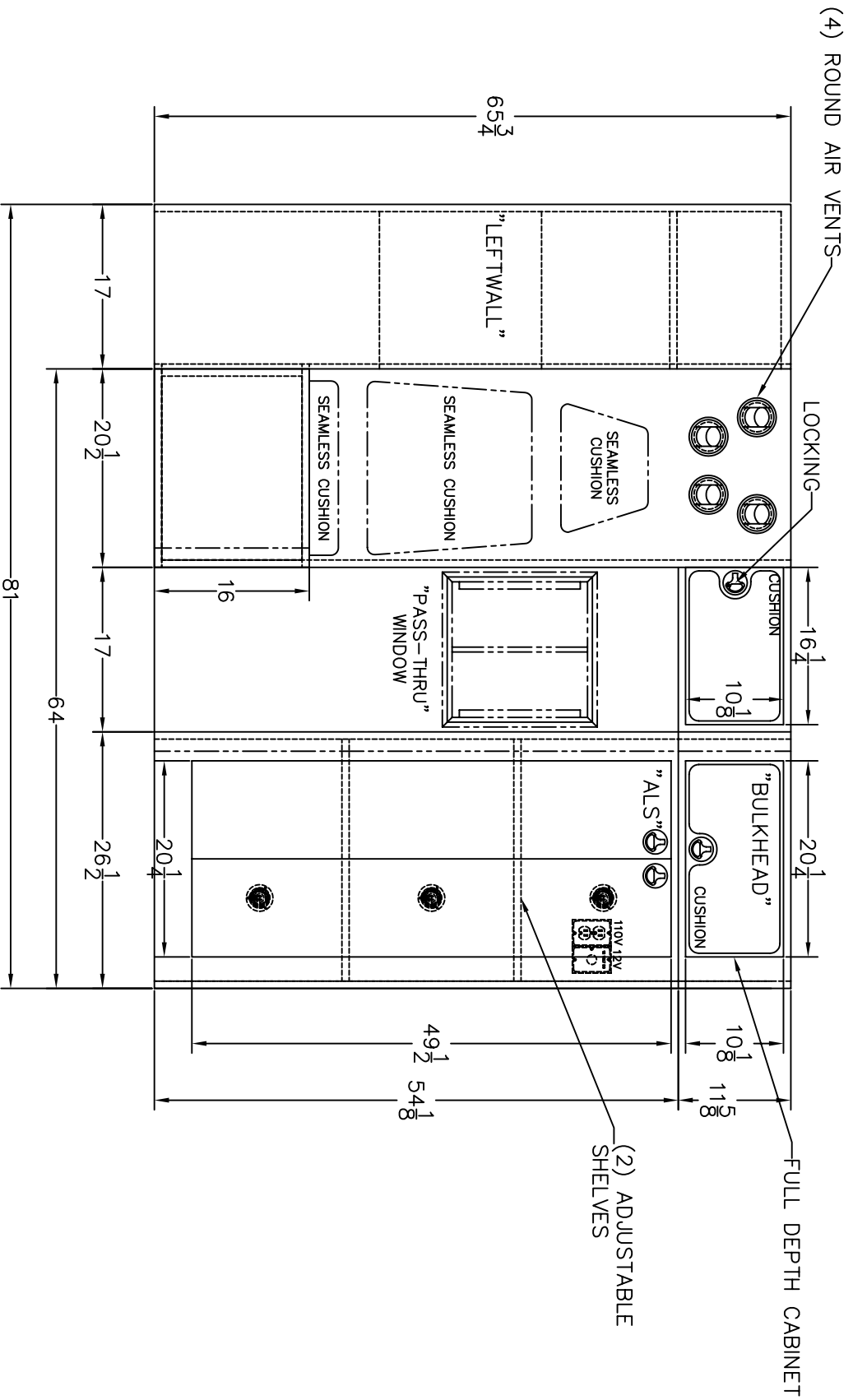


NOTES: THIS DRAWING IS NOT TO SCALE.
 CHARACTERISTICS AND DIMENSIONS OF FINISHED PRODUCT MAY VARY.

NOTES: CABINET DEPTHS REPRESENT DIMENSION FROM
 OUTSIDE REAR TO FRONT FACE OF CABINETS, WITHOUT
 TRIM. ACTUAL WORKING DEPTH WILL BE LESS THAN
 DIMENSION SHOWN UNLESS OTHERWISE SPECIFIED.

3									
2									
1									
Rev.#	Revision Description	Date	Rev'd	App'vd	Stock/Job#	Drawing#	Cust. App'v/Date#	Deal'r App'v/Date:	
					Osage Dealer:	13-3-2144-B-104			
					End Customer:	TWINRIDGE ROAD			
					NOTICE				
					This drawing and/or the information hereon is the exclusive property of Osage Industries and shall not be reproduced, used or disclosed without the authorized written consent of Osage Industries.				
					Drawn By: S.A.H.	Date: 09-04-12			
					Drawing Description: REARWARD INTERIOR TYPE-III BRAVE, SPRINTER				
									Scale: NOT TO SCALE
									Revision#
									1

Osage Industries, Inc.
 TWINRIDGE ROAD
 P.O. BOX 718
 LINN, MO. 65051



NOTES: THIS DRAWING IS NOT TO SCALE.
 CHARACTERISTICS AND DIMENSIONS OF FINISHED PRODUCT MAY VARY.

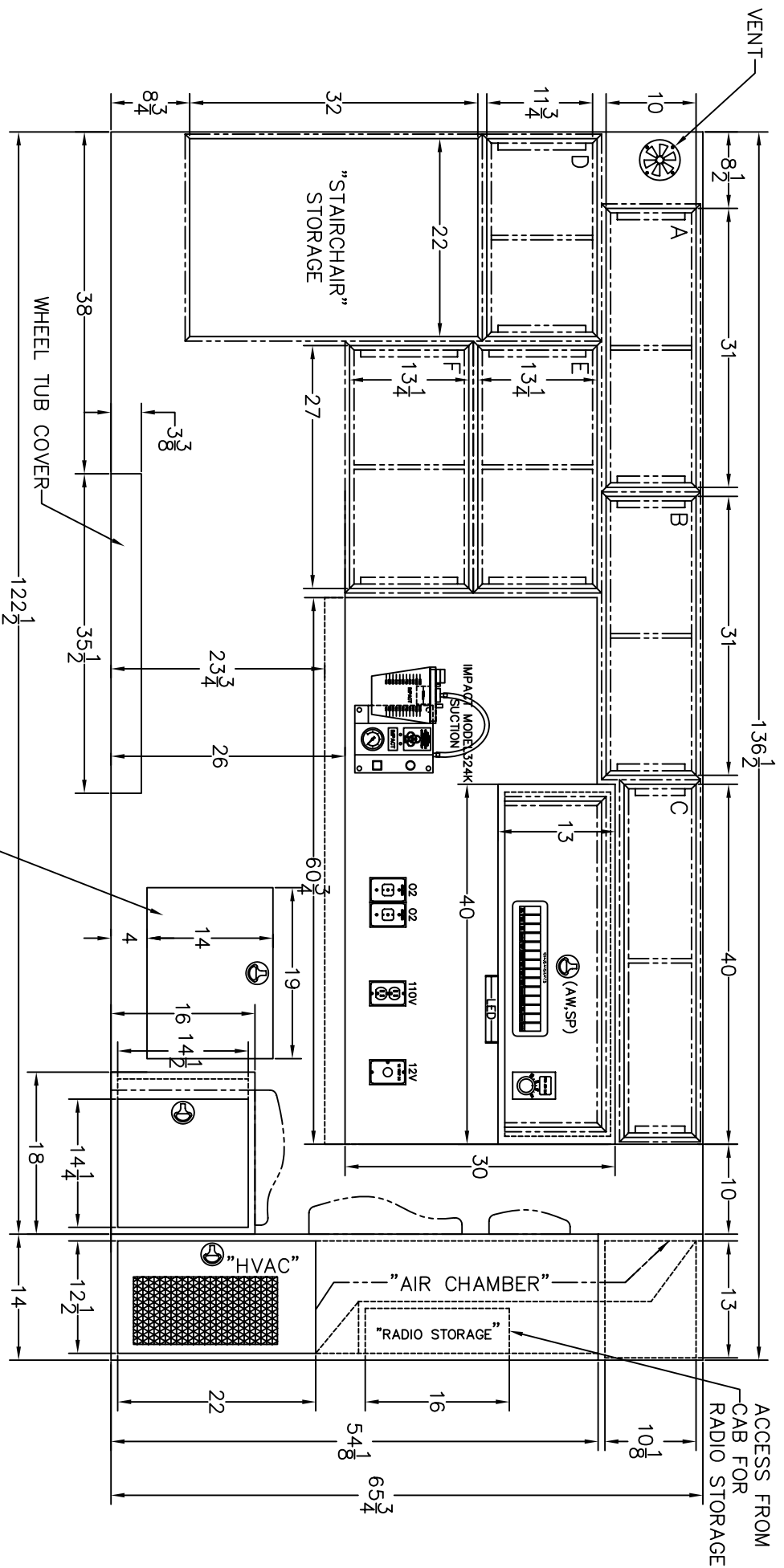
NOTES: CABINET DEPTHS REPRESENT DIMENSION FROM INSIDE REAR TO FRONT FACE OF CABINETS, WITHOUT TRIM. ACTUAL WORKING DEPTH WILL BE LESS THAN DIMENSION SHOWN UNLESS OTHERWISE SPECIFIED.

Rev.#	Revision Description	Date	Rev'd	App'vd
3				
2				
1				

Stock/Job#:	Drawing#:	Cust. App'v/Date#	Decl'r App'v/Date:
Osage Dealer:	13-3-2144-B-102		
End Customer:			
NOTICE			
This drawing and/or the information hereon is the exclusive property of Osage Industries and shall not be reproduced, used or disclosed without the authorized written consent of Osage Industries.			
Drawn By:	S.A.H.	Date:	09-04-12
Drawing Description:	Scale: NOT TO SCALE		
Revision#:	Revision#:		
1	1		

Osage Industries, Inc.
 TWINRIDGE ROAD
 P.O. BOX 718
 LINN, MO. 65051

FORWARD INTERIOR W/O CPR
 TYPE-III BRAVE, SPRINTER

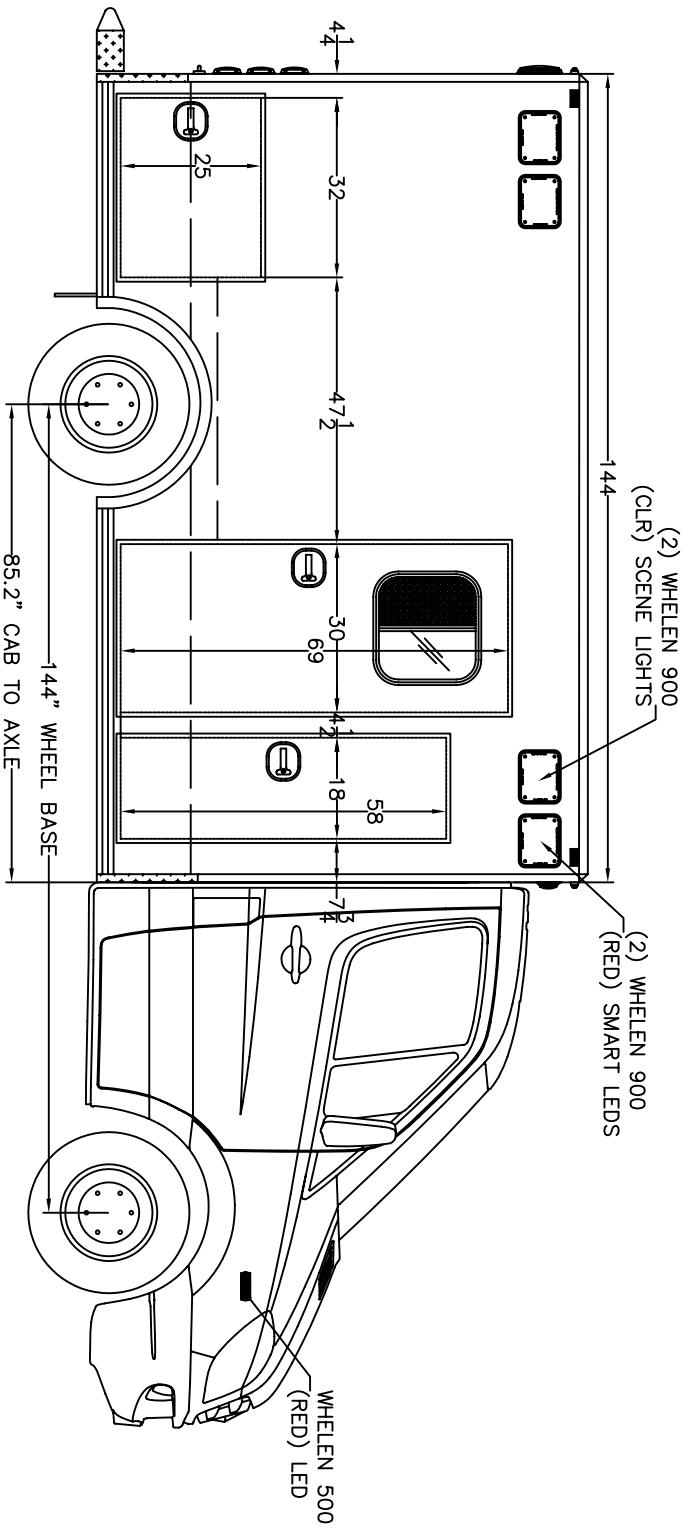


NOTES: THIS DRAWING IS NOT TO SCALE.
CHARACTERISTICS AND DIMENSIONS OF FINISHED PRODUCT MAY VARY.

ONLY WITHOUT COMPARTMENT #2

NOTES: CABINET DEPTHS REPRESENT DIMENSION FROM INSIDE REAR TO FRONT FACE OF CABINETS, WITHOUT TRIM. ACTUAL WORKING DEPTH WILL BE LESS THAN DIMENSION SHOWN UNLESS OTHERWISE SPECIFIED.

3									
2									
1									
Rev.#	Revision Description	Date	Rev'd	App'vd					
Stock/Job#: . Osage Dealer: End Customer:					Drawing# 13-3-2144-B-101 Cust. App'v/Date# . Dealer App'v/Date: .				
NOTICE This drawing and/or the information hereon is the exclusive property of Osage Industries and shall not be reproduced, used or disclosed without the authorized written consent of Osage Industries.					Osage Industries, Inc. TWINRIDGE ROAD P.O. BOX 718 LINN, MO. 65051				
Drawn By: S.A.H. Date: 09-04-12 Scale: NOT TO SCALE					Drawing Description: STREETSIDE INTERIOR W/O CPR TYPE-III BRAVE, SPRINTER				
					Revision# 1				



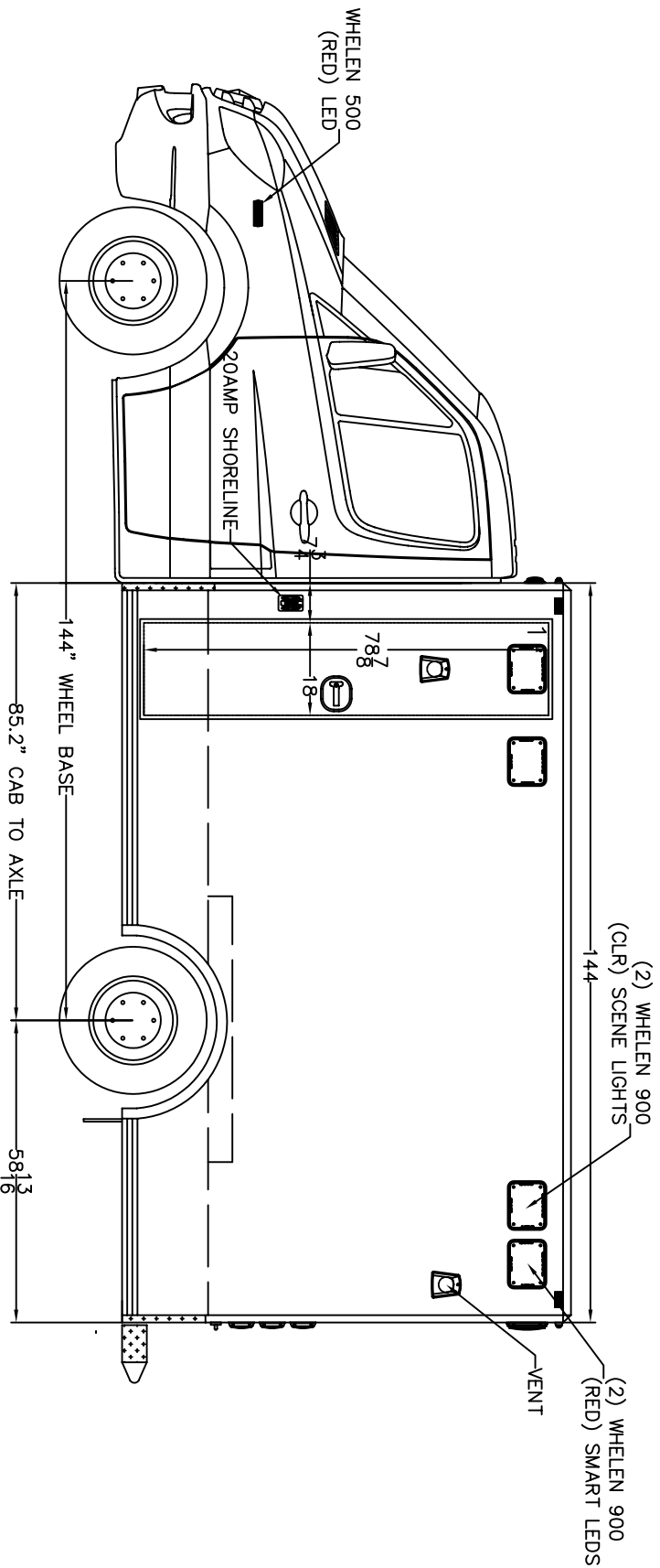
NOTES: THIS DRAWING IS NOT TO SCALE.
 CHARACTERISTICS AND DIMENSIONS OF FINISHED PRODUCT MAY VARY.

NOTES:

- 1.) COMPARTMENT DIMENSIONS REFLECT OPENING CLEARANCE.
- 2.) APPROXIMATE COMPARTMENT DEPTH=15"DEEP.
- 3.) MODULE DIMENSIONS=144"L x 86"W x 87 1/2".
- 4.) INTERIOR MODULE HEAD ROOM=66"H.
- 5.) ALL 9x7 LIGHTS TO BE WHELEEN 900 SERIES LIGHTS.
- 6.) DOUBLE STAINLESS THRESHOLDS.

3				
2				
1				
Rev.#	Revision Description	Date	Rev'd	App'vd

Stock/Job#:	Drawing#	Cust. App'v/Date#	Devl'r App'v/Date:
Osage Dealer:	13-3-2144-B-100C		
End Customer:	TWINRIDGE ROAD		
	Osage Industries, Inc.		
	PO BOX 718		
	LINN, MO. 65051		
NOTICE			
This drawing and/or the information hereon is the exclusive property of Osage Industries and shall not be reproduced, used or disclosed without the authorized written consent of Osage Industries.			
Drawn By:	S.A.H.	Date:	09-04-12
Drawing Description:	EXTERIOR LAYOUT, CURBSIDE TYPE-III BRAVE, SPRINTER		Scale: NOT TO SCALE
			Revision#
			1



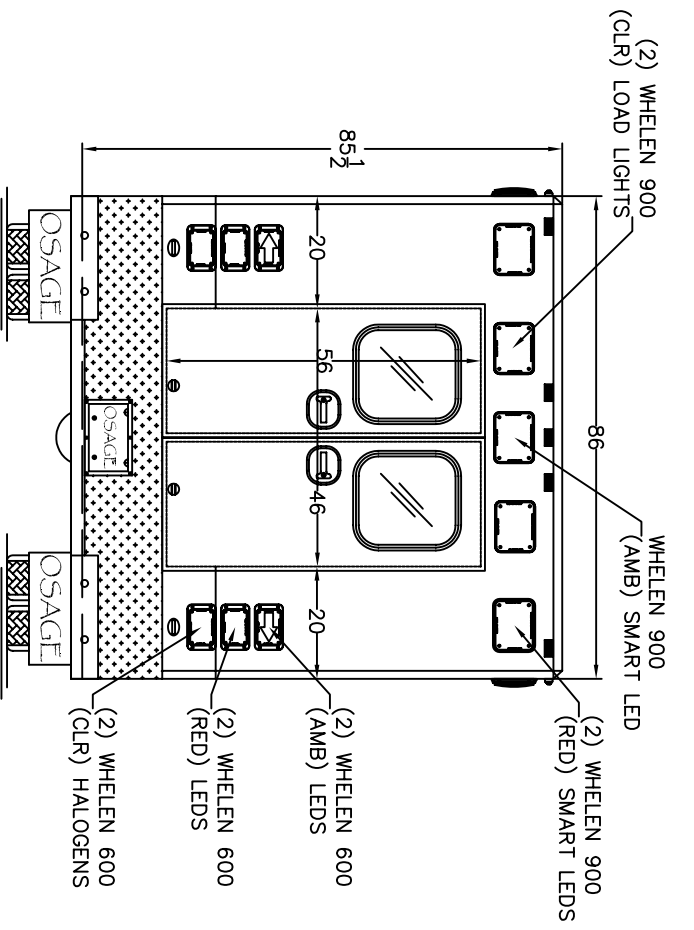
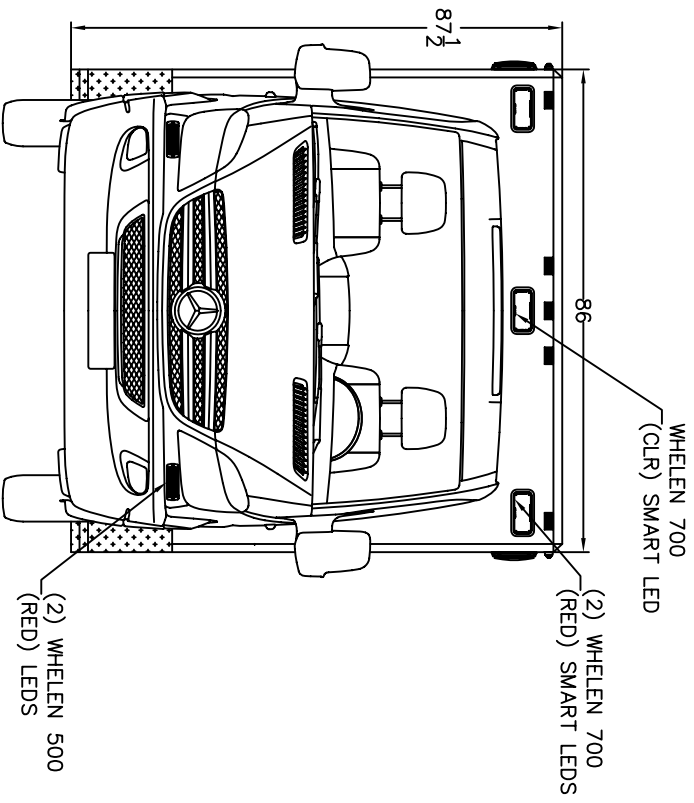
NOTES: THIS DRAWING IS NOT TO SCALE. CHARACTERISTICS AND DIMENSIONS OF FINISHED PRODUCT MAY VARY.

NOTES:

- 1.) COMPARTMENT DIMENSIONS REFLECT OPENING CLEARANCE.
- 2.) APPROXIMATE COMPARTMENT DEPTH=15"DEEP.
- 3.) MODULE DIMENSIONS=144"L x 86"W x 87 1/2".
- 4.) INTERIOR MODULE HEAD ROOM=66"H.
- 5.) ALL 9x7 LIGHTS TO BE WHELEN 900 SERIES LIGHTS.
- 6.) DOUBLE STAINLESS THRESHOLDS.

3				
2				
1				
Rev.#	Revision Description	Date	Rev'd	App'vd

Stock/Job#:	13-3-2144-B-100B	Drawing#	13-3-2144-B-100B	Cust. App'v/Date#		Decl'r App'v/Date:	
Osage Dealer:		End Customer:		Drawn By:	S.A.H.	Date:	09-04-12
<p>NOTICE</p> <p>This drawing and/or the information hereon is the exclusive property of Osage Industries and shall not be reproduced, used or disclosed without the authorized written consent of Osage Industries.</p>				<p>Osage Industries, Inc. TWIN RIDGE ROAD P.O. BOX 718 LINN, MO. 65051</p>			
<p>Drawing Description: EXTERIOR LAYOUT, STREETSIDE TYPE-III BRAVE, SPRINTER</p>				<p>Scale: NOT TO SCALE</p>			
							Revision#
							1

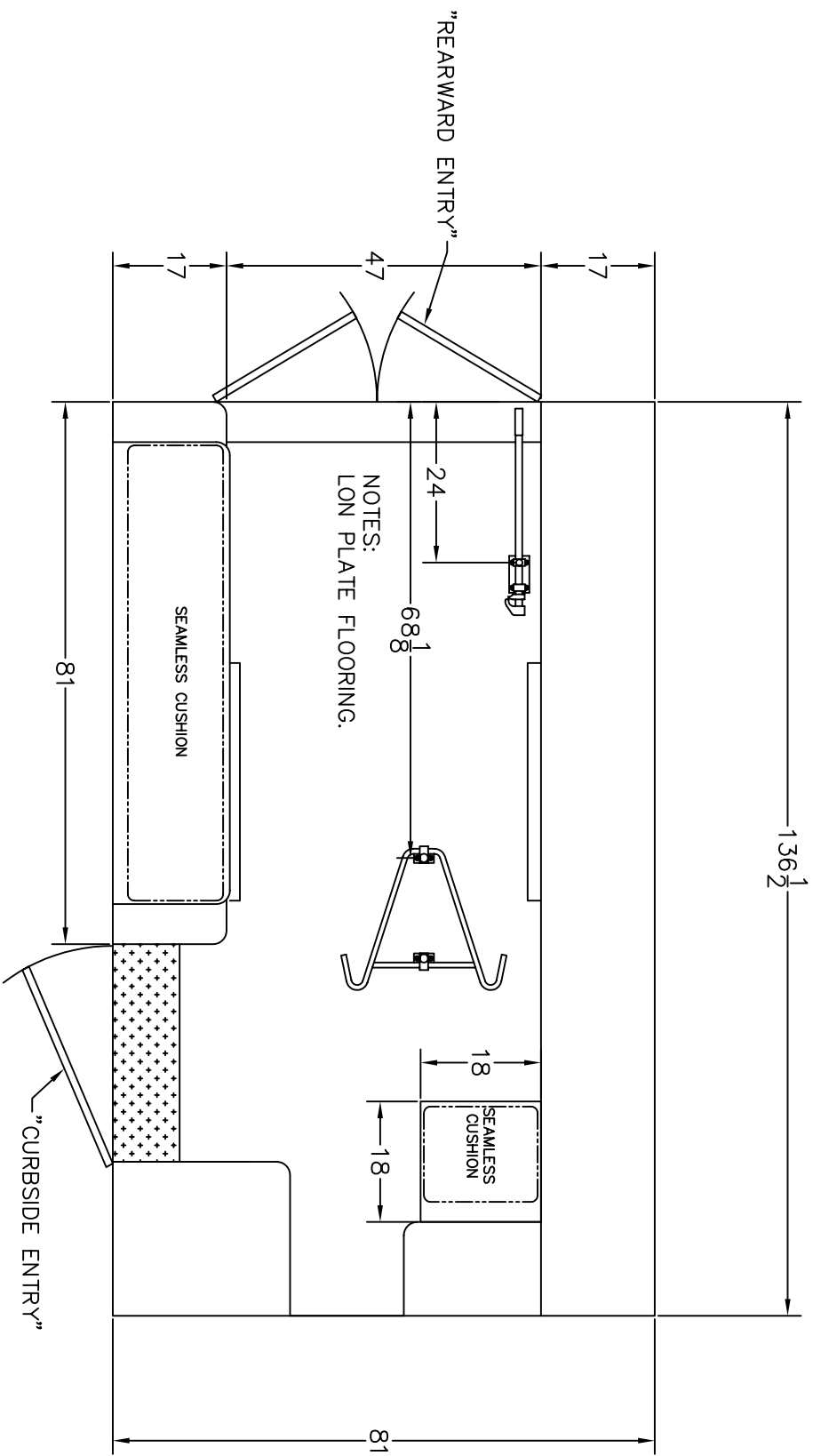


NOTES: THIS DRAWING IS NOT TO SCALE.
CHARACTERISTICS AND DIMENSIONS OF FINISHED PRODUCT MAY VARY.

- NOTES:
- 1.) COMPARTMENT DIMENSIONS REFLECT OPENING CLEARANCE.
 - 2.) APPROXIMATE COMPARTMENT DEPTH=15"DEEP.
 - 3.) MODULE DIMENSIONS=144"L x 86"W x 87 1/2".
 - 4.) INTERIOR MODULE HEAD ROOM=66"H.
 - 5.) ALL 9x7 LIGHTS TO BE WHELEN 900 SERIES LIGHTS.
 - 6.) DOUBLE STAINLESS THRESHOLDS.
 - 7.) STYROFOAM INSULATION, WALLS & CEILING.

3			
2			
1			
Rev.#	Revision Description	Date	Rev'd App'vd

Stock/Job#:	Drawing#:	Cust. App'v/Date#:	Decl'r App'v/Date:
Osage Dealer:	13-3-2144-B-100A		
End Customer:	TWINRIDGE ROAD		
	Osage Industries, Inc.		
	P.O. BOX 718		
	LINN, MO. 65051		
NOTICE			
This drawing and/or the information hereon is the exclusive property of Osage Industries and shall not be reproduced, used or disclosed without the authorized written consent of Osage Industries.			
Drawn By:	S.A.H.	Date:	09-04-12
Drawing Description:	EXTERIOR LAYOUT, FRONT/REAR TYPE-III BRAVE, SPRINTER		
Scale:	NOT TO SCALE		
Revision#:	1		

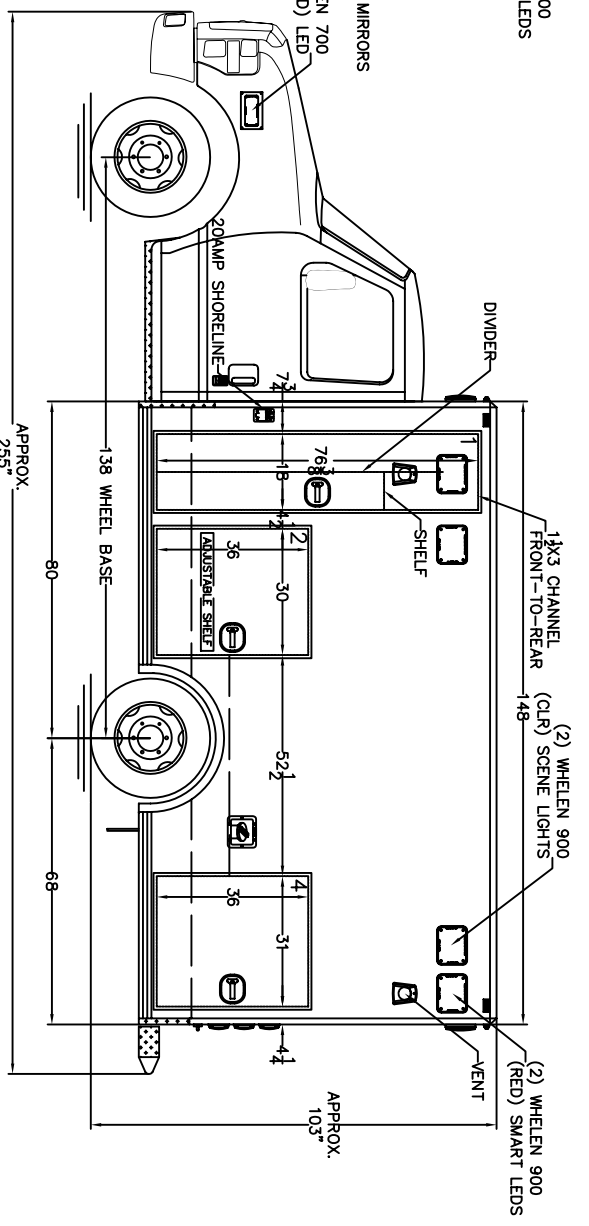
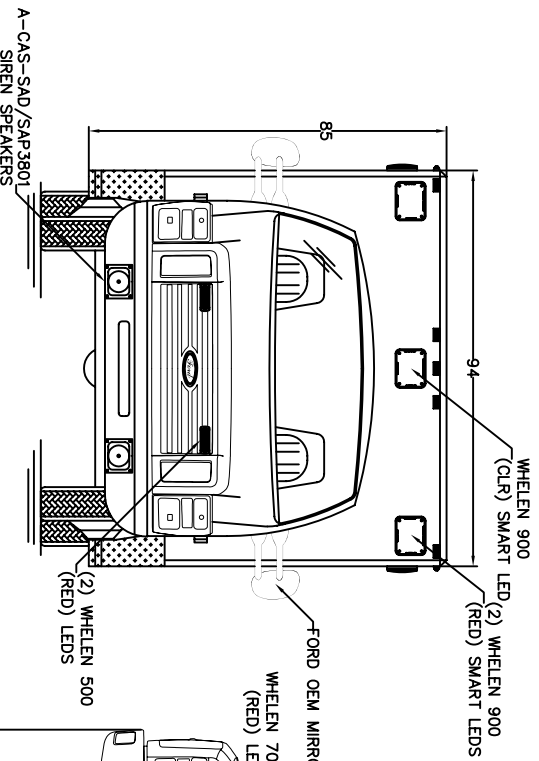
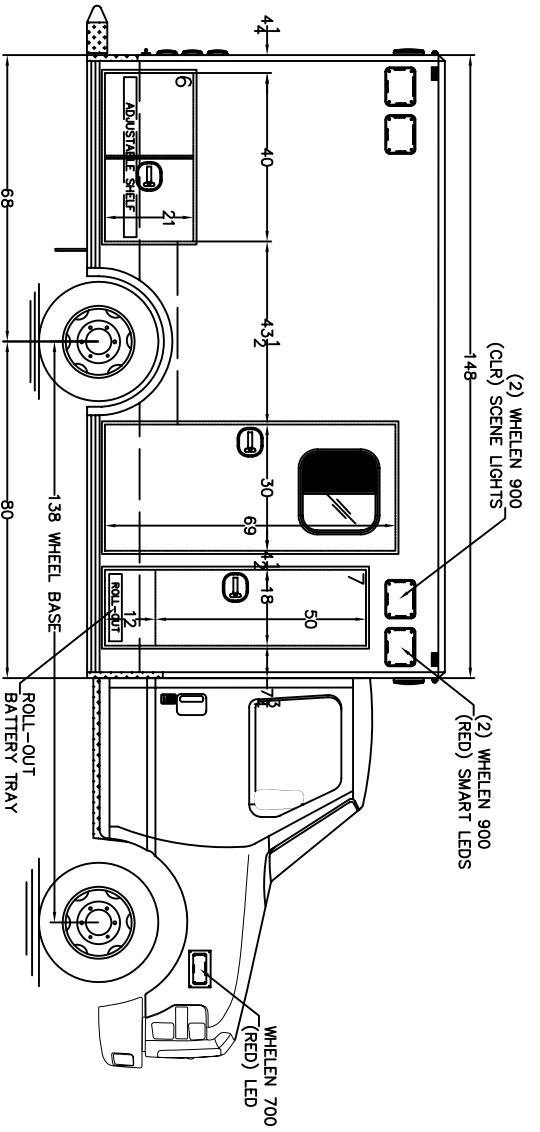
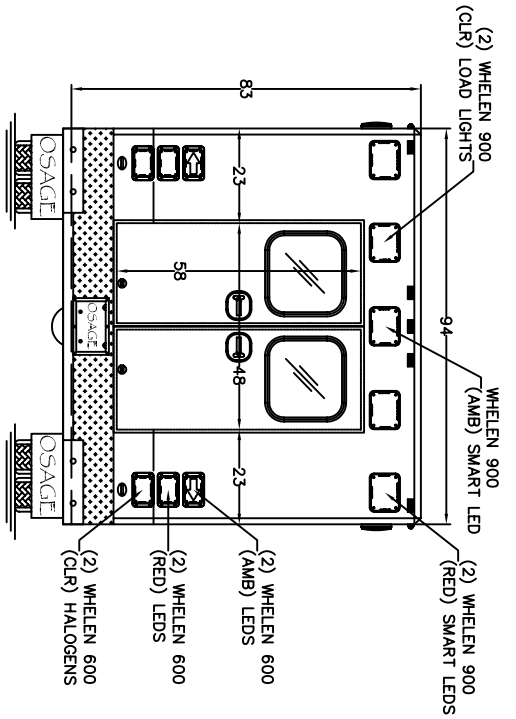


NOTES: THIS DRAWING IS NOT TO SCALE.
CHARACTERISTICS AND DIMENSIONS OF FINISHED
PRODUCT MAY VARY.

3				
2				
1				
Rev.#	Revision Description	Date	Rev'd App'vd	vd

Stock/Job#:	Drawing#	Cust. App'v/Date#	Deal'r App'v/Date:
Osage Dealer:	13-3-2144-B-106		
End Customer:			
NOTICE			
This drawing and/or the information hereon is the exclusive property of Osage Industries and shall not be reproduced, used or disclosed without the authorized written consent of Osage Industries.			
Drawn By:	S.A.H.	Date:	09-04-12
Drawing Description:	FLOOR LAYOUT TYPE-III BRAVE, SPRINTER		
Scale:	NOT TO SCALE		
Revision#	1		

Osage Industries, Inc.
TWIN RIDGE ROAD
P.O. BOX 718
LINN, MO. 65051



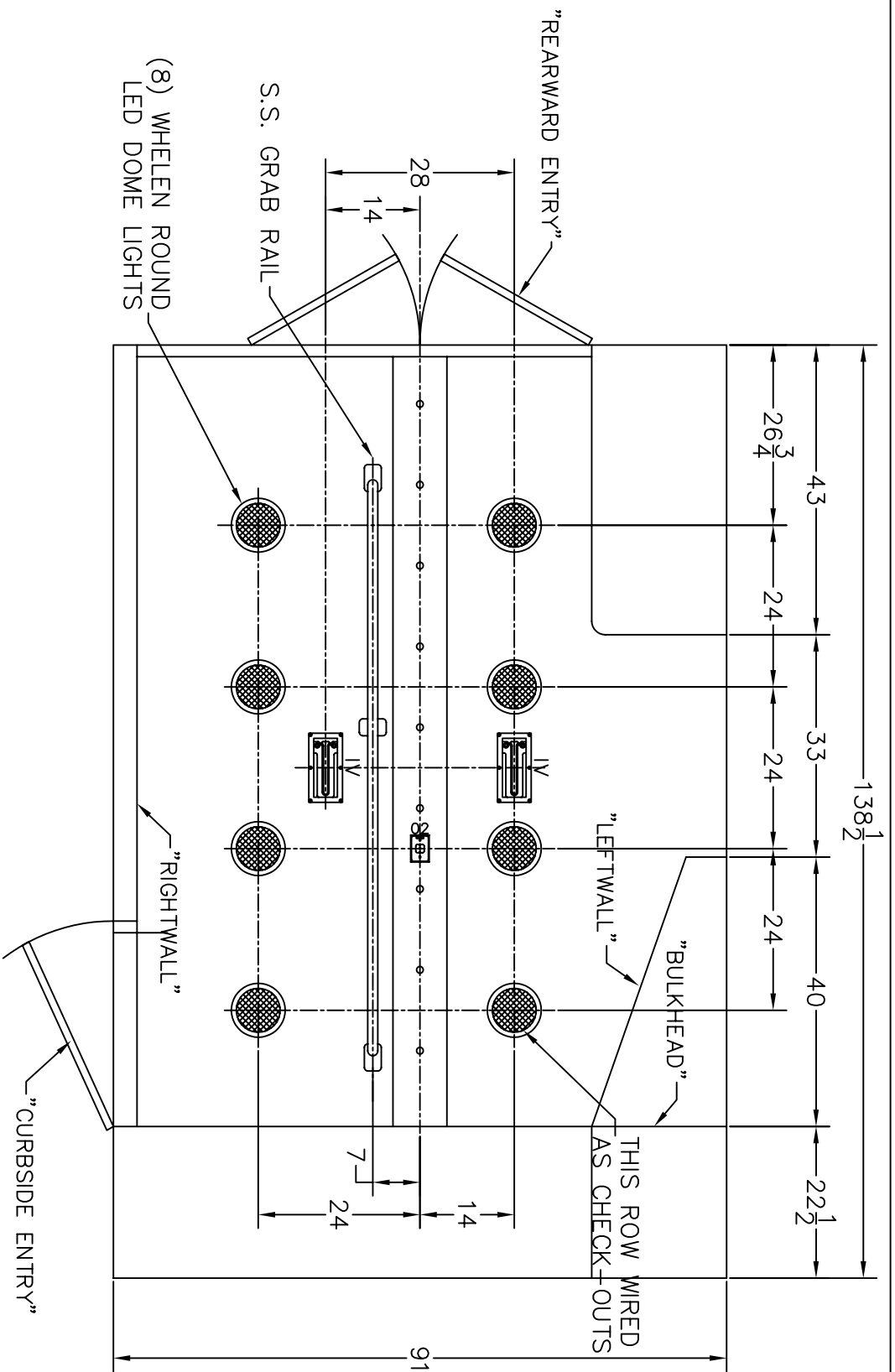
NOTES:
 1.) COMPARTMENT DIMENSIONS REFLECT OPENING CLEARANCE.
 2.) APPROXIMATE COMPARTMENT DEPTH=19"DEEP.
 3.) MODULE DIMENSIONS=148"L x 94"W x 85"H.
 4.) INTERIOR MODULE HEAD ROOM=68"H.
 5.) ALL 9x7 LIGHTS TO BE WHELEN 900 SERIES LIGHTS.
 6.) DOUBLE STAINLESS THRESHOLDS.
 7.) STYROFOAM INSULATION, WALLS & CEILING.

NOTES:
 THIS DRAWING IS NOT TO SCALE.
 CHARACTERISTICS AND DIMENSIONS OF FINISHED PRODUCT MAY VARY.

Rev.#	Revision Description	Date	Rev'd	App'vd
1				
2				
3				

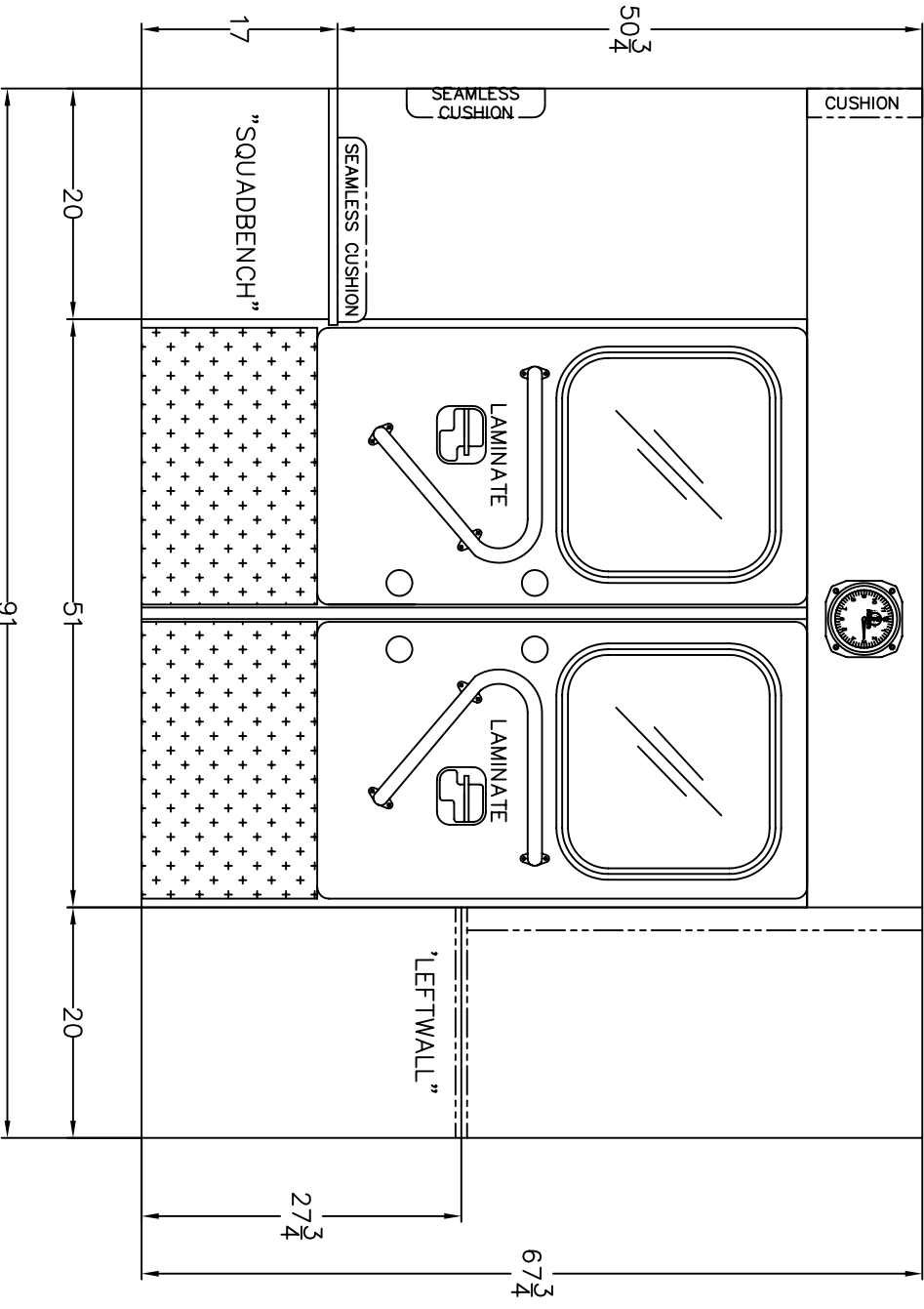
Stock/Job#:	Drawing#	Cust. App'v/Date#	Declar App'v/Date:
Osage Dealer:	13-3-2148-W-100		
End Customer:	TWINRIDGE ROAD		
	Osage Industries, Inc.		
	P.O. BOX 718		
	LINN, MO. 65051		
Drawn By:	S.A.H.	Date:	08-30-12
Drawing Description:	EXTERIOR LAYOUT		
	TYPE-III 2148 WARRIOR, ESERIES		
Scale:	NOT TO SCALE		
Revision#	1		

NOTICE
 This drawing and/or the information hereon is the exclusive property of Osage Industries and shall not be reproduced, used or disclosed without the authorized written consent of Osage Industries.



NOTES: THIS DRAWING IS NOT TO SCALE.
 CHARACTERISTICS AND DIMENSIONS OF FINISHED
 PRODUCT MAY VARY.

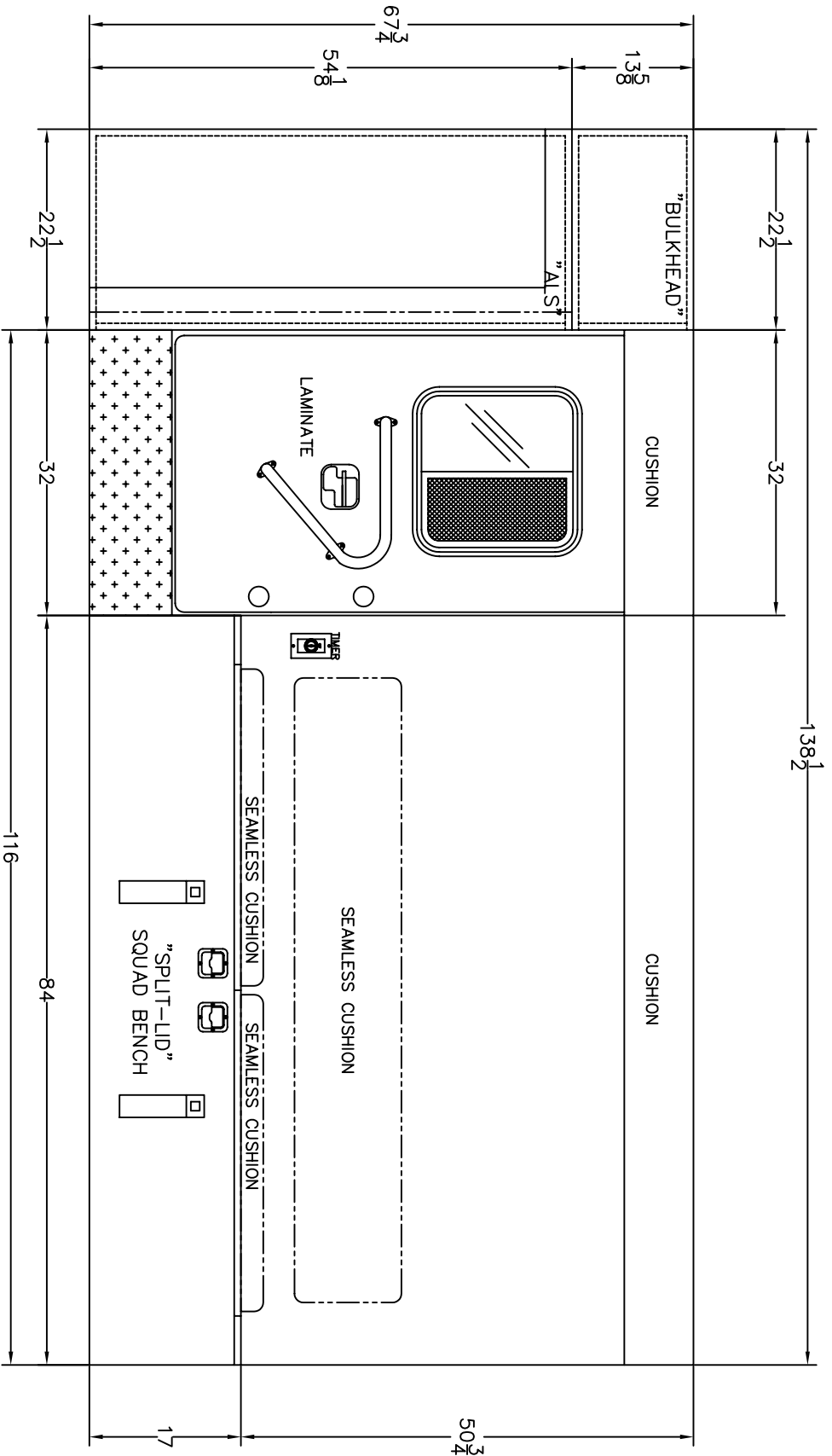
3																
2																
1																
Rev.#	Revision Description	Date	Rev'd	App'vd	Stock/Job#	Drawing#	Cust. App'v/Date#	Deal'r App'v/Date:	This drawing and/or the information hereon is the exclusive property of Osage Industries and shall not be reproduced, used or disclosed without the authorized written consent of Osage Industries.							
					Osage Dealer:	13-3-2148-W-105			Osage Industries, Inc. TWINRIDGE ROAD P.O. BOX 718 LINN, MO. 65051							
					End Customer:				NOTICE Drawn By: S.A.H. Date: 08-30-12 Scale: NOT TO SCALE Drawing Description: CEILING LAYOUT TYPE-III 2148 WARRIOR, ESERIES							



NOTES: THIS DRAWING IS NOT TO SCALE.
 CHARACTERISTICS AND DIMENSIONS OF FINISHED PRODUCT MAY VARY.
 NOTES: CABINET DEPTHS REPRESENT DIMENSION FROM
 INSIDE REAR TO FRONT FACE OF CABINETS, WITHOUT TRIM.
 ACTUAL WORKING DEPTH WILL BE LESS THAN DIMENSION
 SHOWN UNLESS OTHERWISE SPECIFIED.

3				
2				
1				
Rev.#	Revision Description	Date	Rev'd	App'vd

Stock/Job#:	Drawing#	Cust. App'v/Date#	Deal'r App'v/Date:
Osage Dealer:	13-3-2148-W-104		
End Customer:			
NOTICE			
This drawing and/or the information hereon is the exclusive property of Osage Industries and shall not be reproduced, used or disclosed without the authorized written consent of Osage Industries.			
Drawn By:	S.A.H.	Date:	08-30-12
Drawing Description:	REARWARD INTERIOR		
	TYPE-III 2148 WARRIOR, ESERIES		
Osage Industries, Inc.		LINN, MO. 65051	
TWINRIDGE ROAD		P.O. BOX 718	
Scale:		NOT TO SCALE	
Revision#			

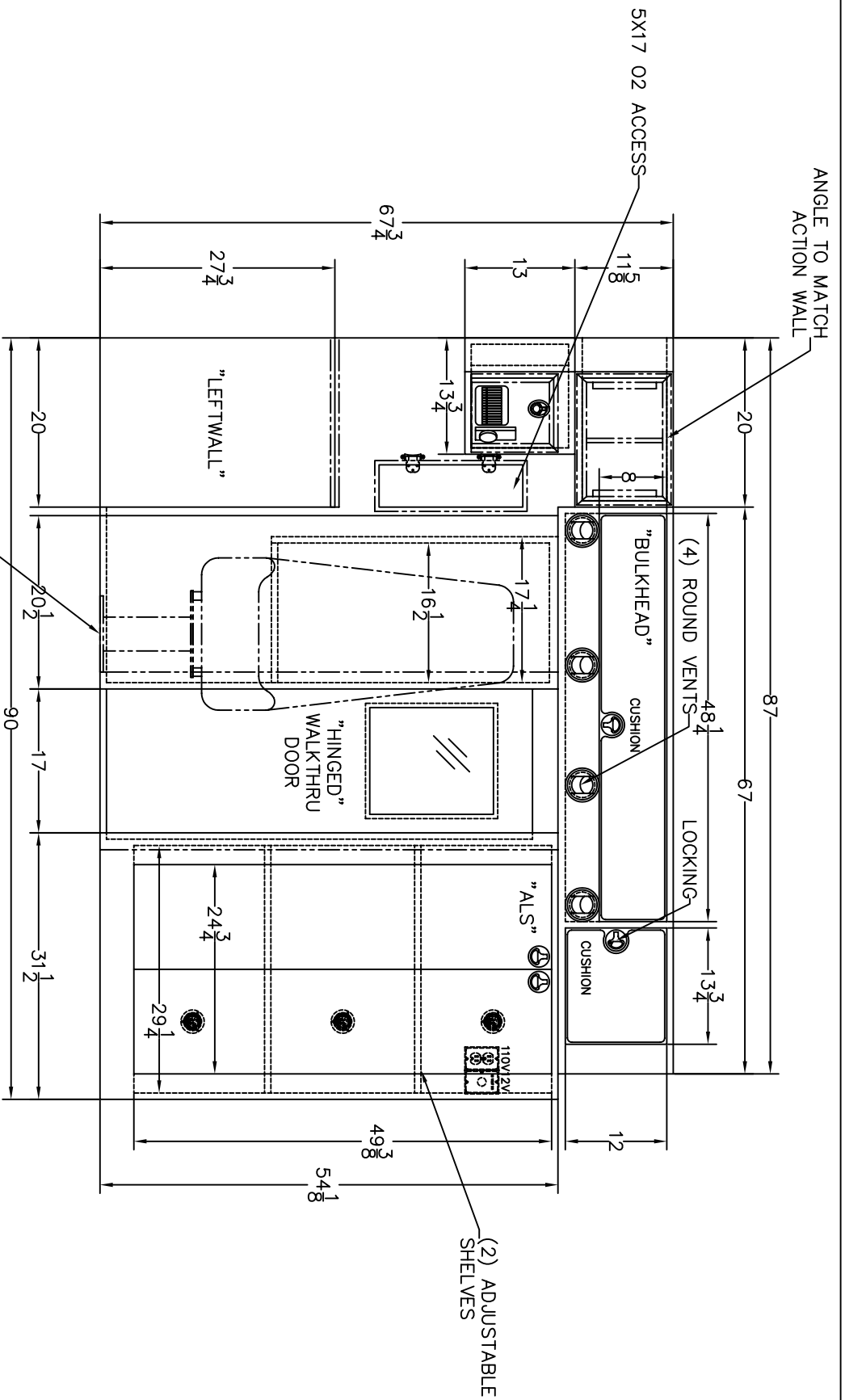


NOTES: THIS DRAWING IS NOT TO SCALE.
 CHARACTERISTICS AND DIMENSIONS OF FINISHED PRODUCT MAY VARY.
 NOTES: CABINET DEPTHS REPRESENT DIMENSION FROM INSIDE
 REAR TO FRONT FACE OF CABINETS, WITHOUT TRIM. ACTUAL
 WORKING DEPTH WILL BE LESS THAN DIMENSION SHOWN UNLESS
 OTHERWISE SPECIFIED.

3			
2			
1			
Rev.#	Revision Description	Date	Rev'd App'vd

Stock/Job#:	Drawing#	Cust. App'v/Date#	Deal'r App'v/Date:
Osage Dealer:	13-3-2148-W-103		
End Customer:			
NOTICE			
This drawing and/or the information hereon is the exclusive property of Osage Industries and shall not be reproduced, used or disclosed without the authorized written consent of Osage Industries.			
Drawn By:	S.A.H.	Date:	08-30-12
Drawing Description:	CURBSIDE INTERIOR		
	TYPE-III 2148 WARRIOR, ESERIES		
	Scale: NOT TO SCALE		
	Revision#		

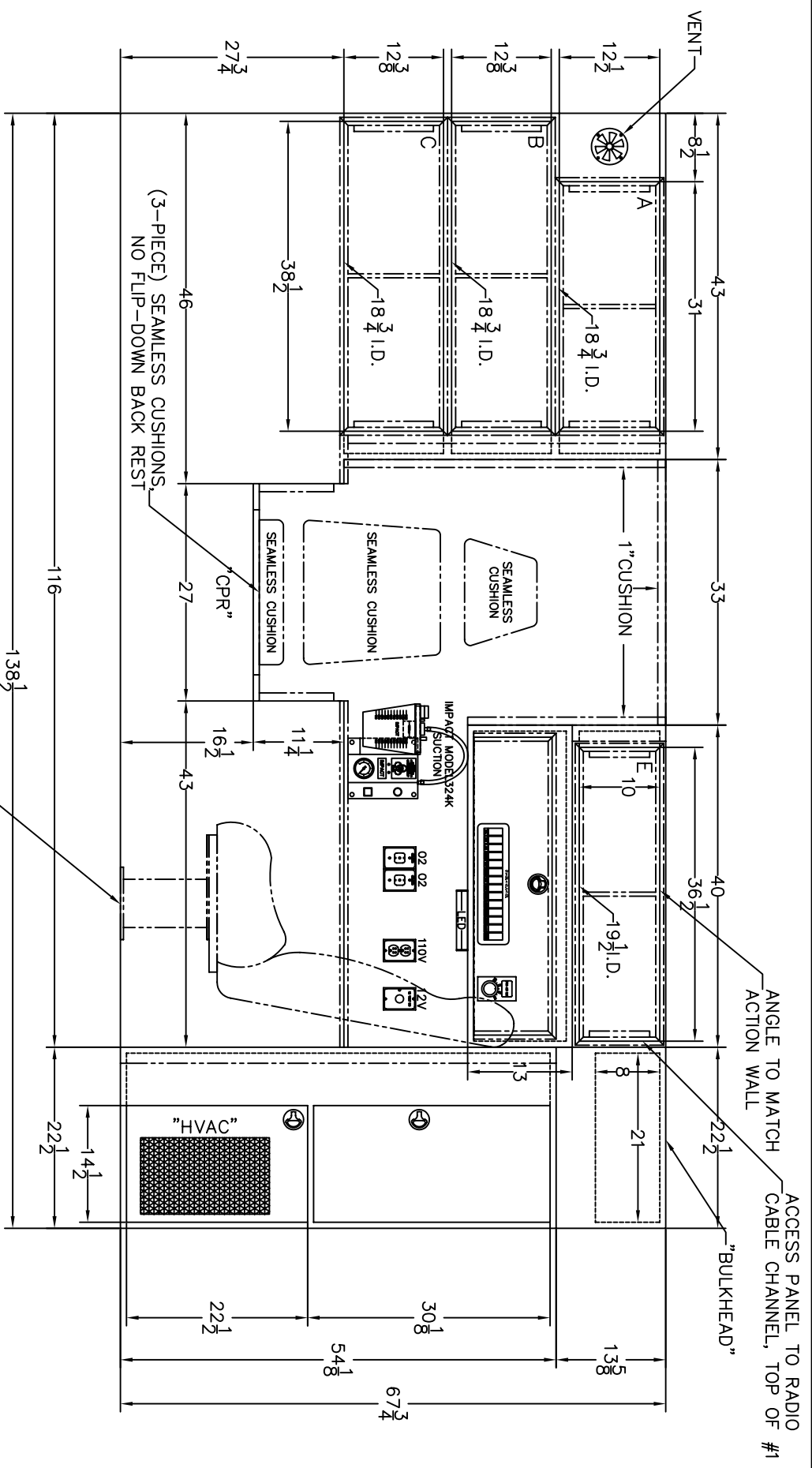
Osage Industries, Inc.
 TWINRIDGE ROAD
 P.O. BOX 718
 LINN, MO. 65051



NOTES: THIS DRAWING IS NOT TO SCALE.
 CHARACTERISTICS AND DIMENSIONS OF FINISHED PRODUCT MAY VARY.
 NOTES: CABINET DEPTHS REPRESENT DIMENSION FROM INSIDE REAR TO FRONT FACE OF CABINETS, WITHOUT TRIM.
 ACTUAL WORKING DEPTH WILL BE LESS THAN DIMENSION SHOWN UNLESS OTHERWISE SPECIFIED.

Rev.#	Revision Description	Date	Rev'd	App'vd
3				
2				
1				

Stock/Job#:	Drawing#	Cust. App'v/Date#	Deal'r App'v/Date:
Osage Dealer:	13-3-2148-W-102		
End Customer:	TWINRIDGE ROAD		
	Osage Industries, Inc.		
	P.O. BOX 718		
	LINN, MO. 65051		
NOTICE	Drawn By: S.A.H.	Date: 08-30-12	Scale: NOT TO SCALE
This drawing and/or the information hereon is the exclusive property of Osage Industries and shall not be reproduced, used or disclosed without the authorized written consent of Osage Industries.	Drawing Description:		Revision#
	FORWARD INTERIOR		
	TYPE-III 2148 WARRIOR, ESERIES		

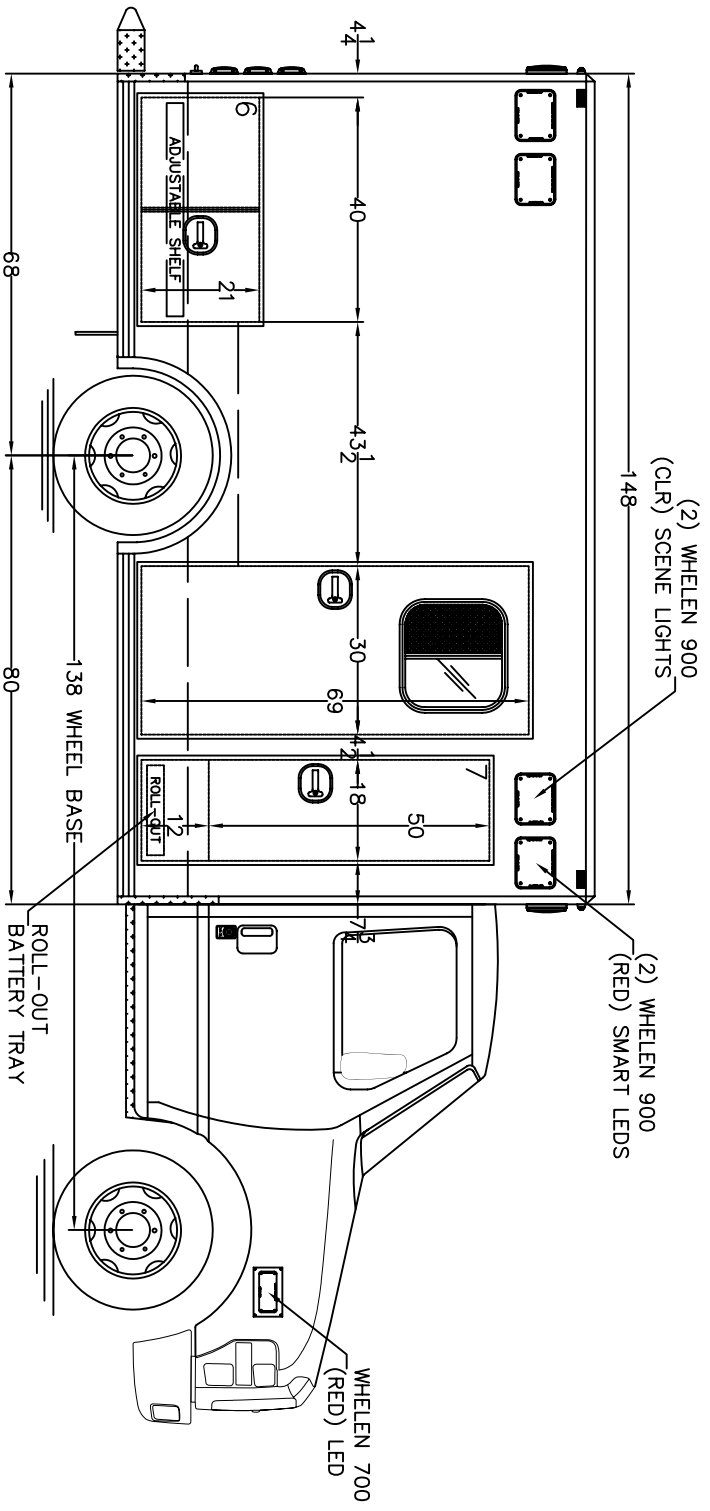


NOTES: THIS DRAWING IS NOT TO SCALE.
 CHARACTERISTICS AND DIMENSIONS OF FINISHED PRODUCT MAY VARY.

NOTES: CABINET DEPTHS REPRESENT DIMENSION FROM INSIDE REAR TO FRONT FACE OF CABINETS, WITHOUT TRIM. ACTUAL WORKING DEPTH WILL BE LESS THAN DIMENSION SHOWN UNLESS OTHERWISE SPECIFIED.

3				
2				
1				
Rev.#	Revision Description	Date	Rev'd	App'vd

Stock/Job#:	Drawing#	Cust. App'v/Date#	Deal'r App'v/Date:
Osage Dealer:	13-3-2148-W-101		
End Customer:	Osage Industries, Inc. TWIN RIDGE ROAD P.O. BOX 718 LINN, MO. 65051		
NOTICE			
This drawing and/or the information hereon is the exclusive property of Osage Industries and shall not be reproduced, used or disclosed without the authorized written consent of Osage Industries.			
Drawn By: S.A.H. Date: 08-30-12		Scale: NOT TO SCALE Revision#	
Drawing Description: STREETSIDE INTERIOR TYPE-III 2148 WARRIOR, ESERIES			

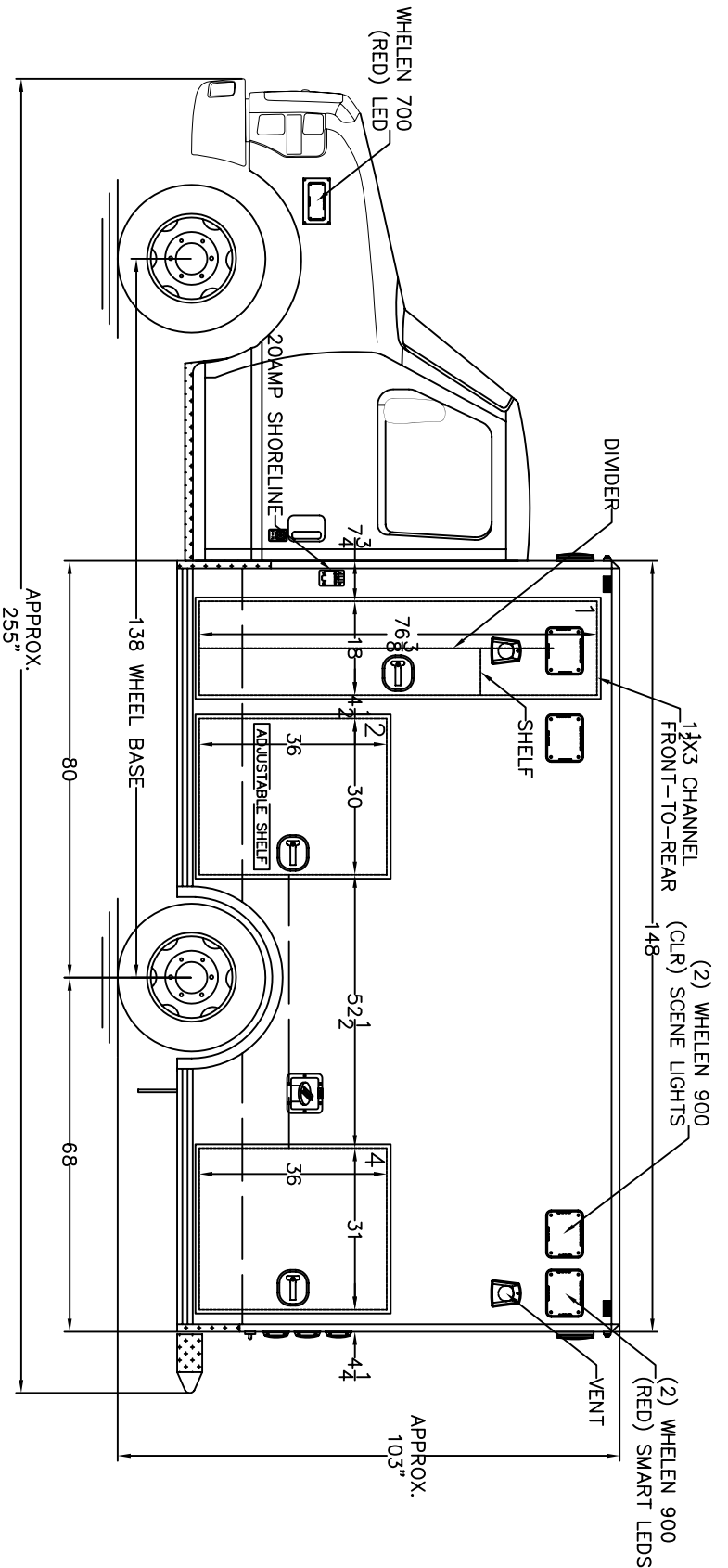


NOTES: THIS DRAWING IS NOT TO SCALE.
 CHARACTERISTICS AND DIMENSIONS OF FINISHED PRODUCT MAY VARY.

- NOTES:
- 1.) COMPARTMENT DIMENSIONS REFLECT OPENING CLEARANCE.
 - 2.) APPROXIMATE COMPARTMENT DEPTH=19"DEEP.
 - 3.) MODULE DIMENSIONS=148"L x 94"W x 85"H.
 - 4.) INTERIOR MODULE HEAD ROOM=68"H.
 - 5.) ALL 9x7 LIGHTS TO BE WHELEN 900 SERIES LIGHTS.
 - 6.) DOUBLE STAINLESS THRESHOLDS.
 - 7.) STYROFOAM INSULATION, WALLS & CEILING.

3				
2				
1				
Rev.#	Revision Description	Date	Rev'd	App'vd

Stock/Job#:	Drawing#	Cust. App'v/Date#	Deal'r App'v/Date:
Osage Dealer:	13-3-2148-W-100		
End Customer:	TWINRIDGE ROAD		
	Osage Industries, Inc.		
	P.O. BOX 718		
	LINN, MO. 65051		
NOTICE			
This drawing and/or the information hereon is the exclusive property of Osage Industries and shall not be reproduced, used or disclosed without the authorized written consent of Osage Industries.			
Drawn By:	S.A.H.	Date:	08-30-12
Drawing Description:	EXTERIOR LAYOUT, CURBSIDE		Scale: NOT TO SCALE
	TYPE-III 2148 WARRIOR, ESERIES		Revision#
			1



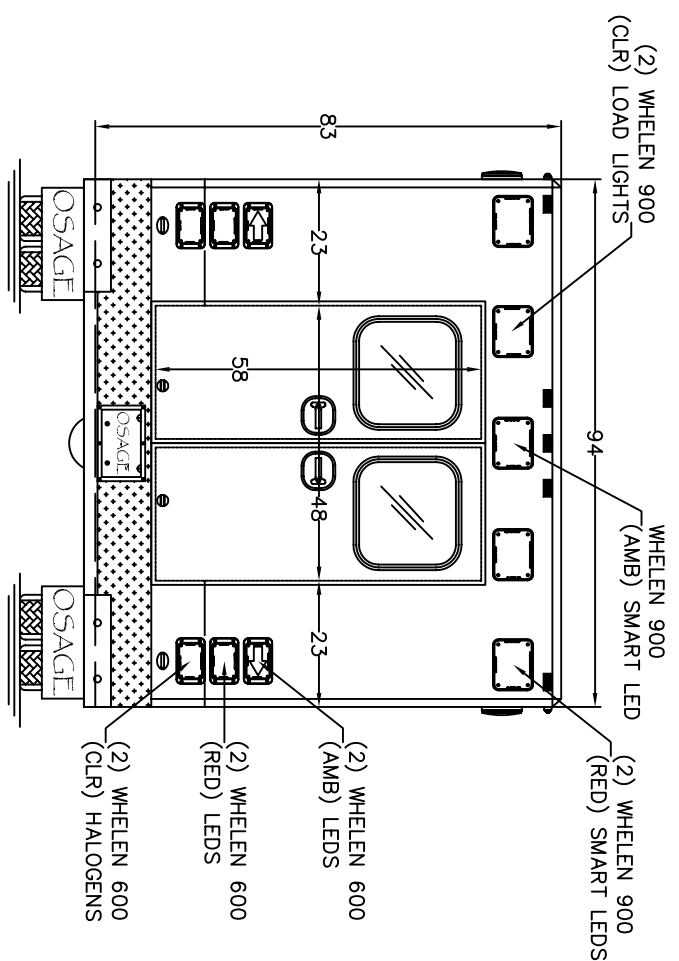
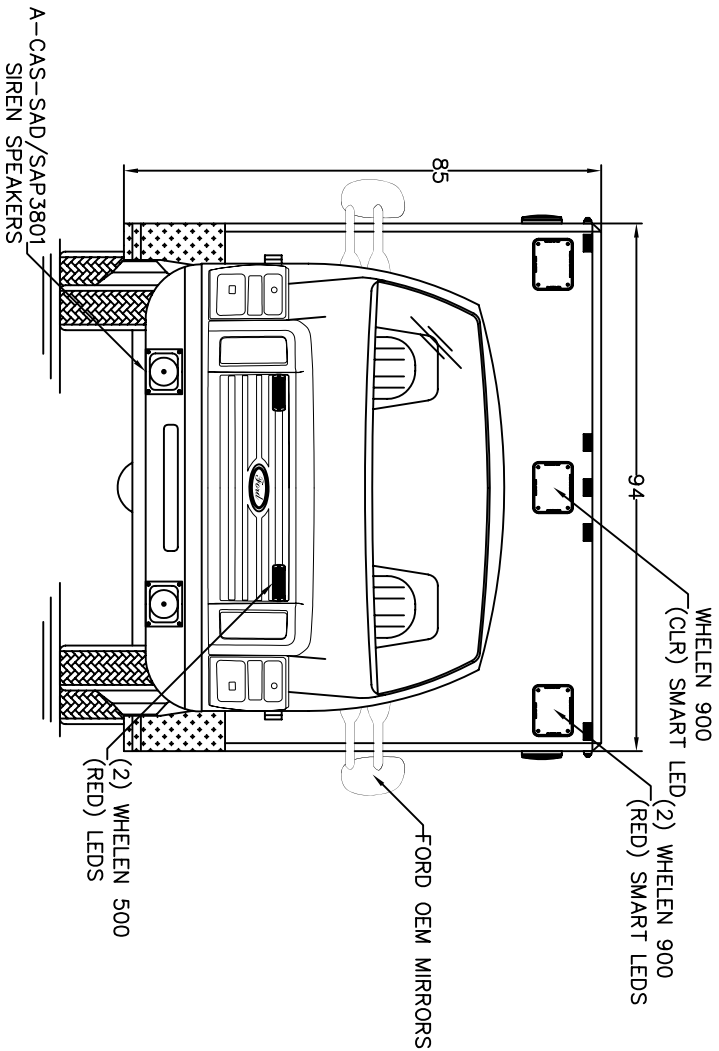
NOTES: THIS DRAWING IS NOT TO SCALE.
 CHARACTERISTICS AND DIMENSIONS OF FINISHED PRODUCT MAY VARY.

NOTES:

- 1.) COMPARTMENT DIMENSIONS REFLECT OPENING CLEARANCE.
- 2.) APPROXIMATE COMPARTMENT DEPTH=19"DEEP.
- 3.) MODULE DIMENSIONS=148"L x 94"W x 85"H.
- 4.) INTERIOR MODULE HEAD ROOM=68"H.
- 5.) ALL 9x7 LIGHTS TO BE WHELEN 900 SERIES LIGHTS.
- 6.) DOUBLE STAINLESS THRESHOLDS.
- 7.) STYROFOAM INSULATION, WALLS & CEILING.

3									
2									
1									
Rev.#	Revision Description	Date	Rev'd	App'vd	Stock/Job#:	Drawing#	Cust. App'v/Date#	Deal'r App'v/Date:	
					Osage Dealer:	13-3-2148-W-100			
					End Customer:				
					NOTICE				
					This drawing and/or the information hereon is the exclusive property of Osage Industries and shall not be reproduced, used or disclosed without the authorized written consent of Osage Industries.				
					Drawn By:	S.A.H.	Date:	08-30-12	Scale:
					Drawing Description:	EXTERIOR LAYOUT, STREETSIDE TYPE-III 2148 WARRIOR, ESERIES			NOT TO SCALE
									Revision#
									1

Osage Industries, Inc.
 TWINRIDGE ROAD
 P.O. BOX 718
 LINN, MO. 65051



A-CAS-SAD/SAP3801
SIREN SPEAKERS

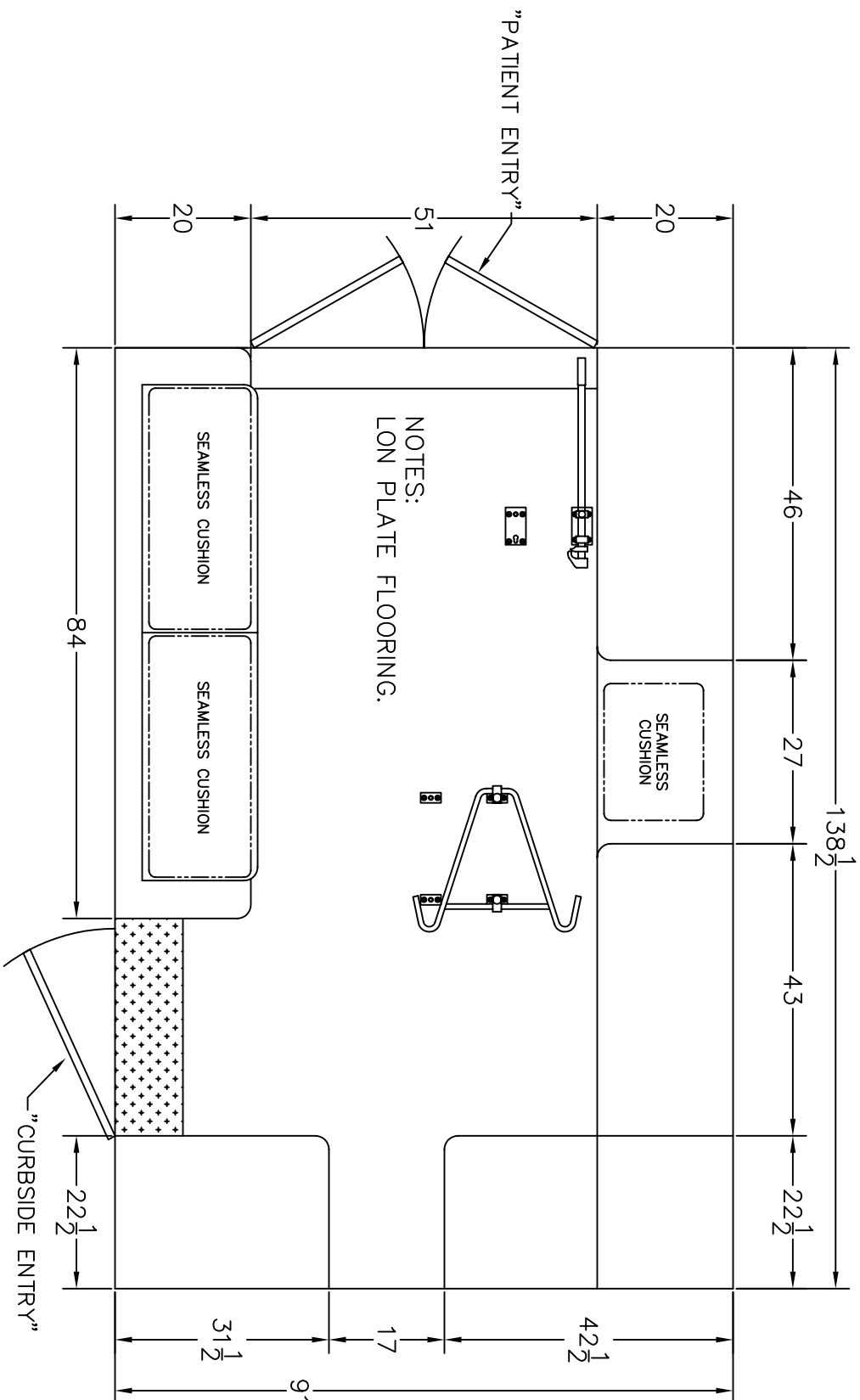
NOTES: THIS DRAWING IS NOT TO SCALE.
CHARACTERISTICS AND DIMENSIONS OF FINISHED PRODUCT MAY VARY.

NOTES:

- 1.) COMPARTMENT DIMENSIONS REFLECT OPENING CLEARANCE.
- 2.) APPROXIMATE COMPARTMENT DEPTH=19"DEEP.
- 3.) MODULE DIMENSIONS=148"L x 94"W x 85"H.
- 4.) INTERIOR MODULE HEAD ROOM=68"H.
- 5.) ALL 9x7 LIGHTS TO BE WHELEN 900 SERIES LIGHTS.
- 6.) DOUBLE STAINLESS THRESHOLDS.
- 7.) STYROFOAM INSULATION, WALLS & CEILING.

3			
2			
1			
Rev.#	Revision Description	Date	Rev'd App'vd

Stock/Job#:	Drawing#	Cust. App'v/Date#	Deal'r App'v/Date:
Osage Dealer:	13-3-2148-W-100		
End Customer:	TWINRIDGE ROAD		
	Osage Industries, Inc.		
	P.O. BOX 718		
	LINN, MO. 65051		
NOTICE	Drawn By: S.A.H.	Date: 08-30-12	Scale: NOT TO SCALE
This drawing and/or the information hereon is the exclusive property of Osage Industries and shall not be reproduced, used or disclosed without the authorized written consent of Osage Industries.	Drawing Description:	EXTERIOR LAYOUT, FRONT/REAR TYPE-III 2148 WARRIOR, ESERIES	
			Revision# 1



NOTES: THIS DRAWING IS NOT TO SCALE.
 CHARACTERISTICS AND DIMENSIONS OF FINISHED
 PRODUCT MAY VARY.

Rev.#	Revision Description	Date	Rev'd	App'vd
3				
2				
1				

Stock/Job#:	Drawing#	Cust. App'v/Date#	Deal'r App'v/Date:
Osage Dealer:	13-3-2148-W-106		
End Customer:			
NOTICE			
This drawing and/or the information hereon is the exclusive property of Osage Industries and shall not be reproduced, used or disclosed without the authorized written consent of Osage Industries.			
Drawn By:	S.A.H.	Date:	08-30-12
Drawing Description:	FLOOR LAYOUT		
	TYPE-III 2148 WARRIOR, ESERIES		
Osage Industries, Inc.		LINN, MO. 65051	
TWINRIDGE ROAD		P.O. BOX 718	
Scale: NOT TO SCALE			
Revision#			